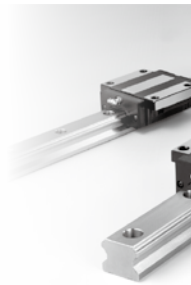
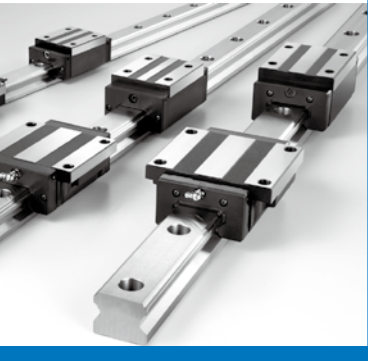


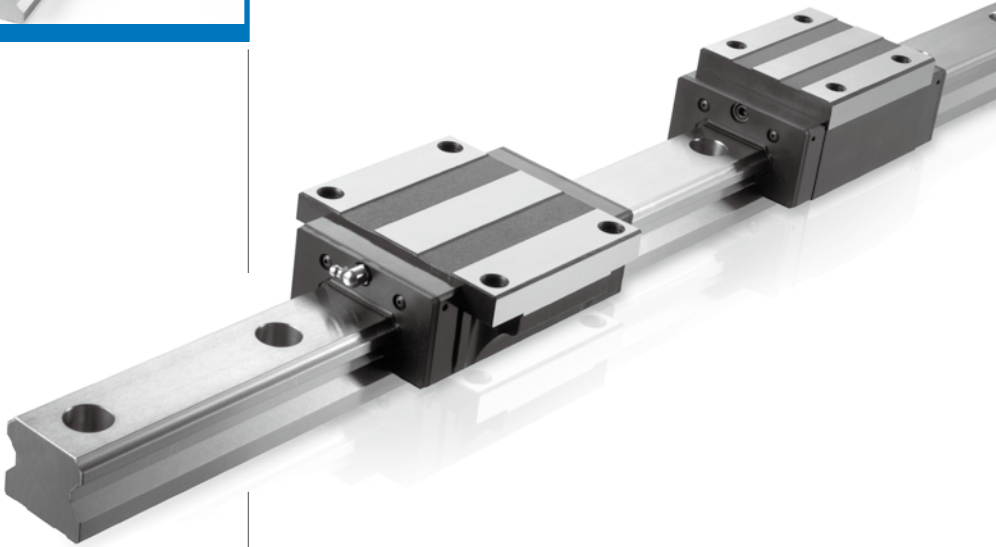
Precise Stable Durability High Rigidity

Meet the Multi-Demand of Accuracy and Efficiency





Linear Guideway



The Characteristics of *PMI* Linear Guideways

High positioning accuracy, high repeatability

The *PMI* linear guideway is a design of rolling motion with a low friction coefficient, and the difference between dynamic and static friction is very small. Therefore, the stick-slip will not occur when submicron feeding is making.

Low frictional resistance, high precision maintained for long period

The frictional resistance of a linear guideway is only 1/20th to 1/40th of that in a slide guide. With a linear guideway, a well lubrication can be easily achieved by supplying grease through the grease nipple on carriage or utilizing a centralized oil pumping system, thus the frictional resistance is decreased and the accuracy could be maintained for long period.

High rigidity with four-way load design

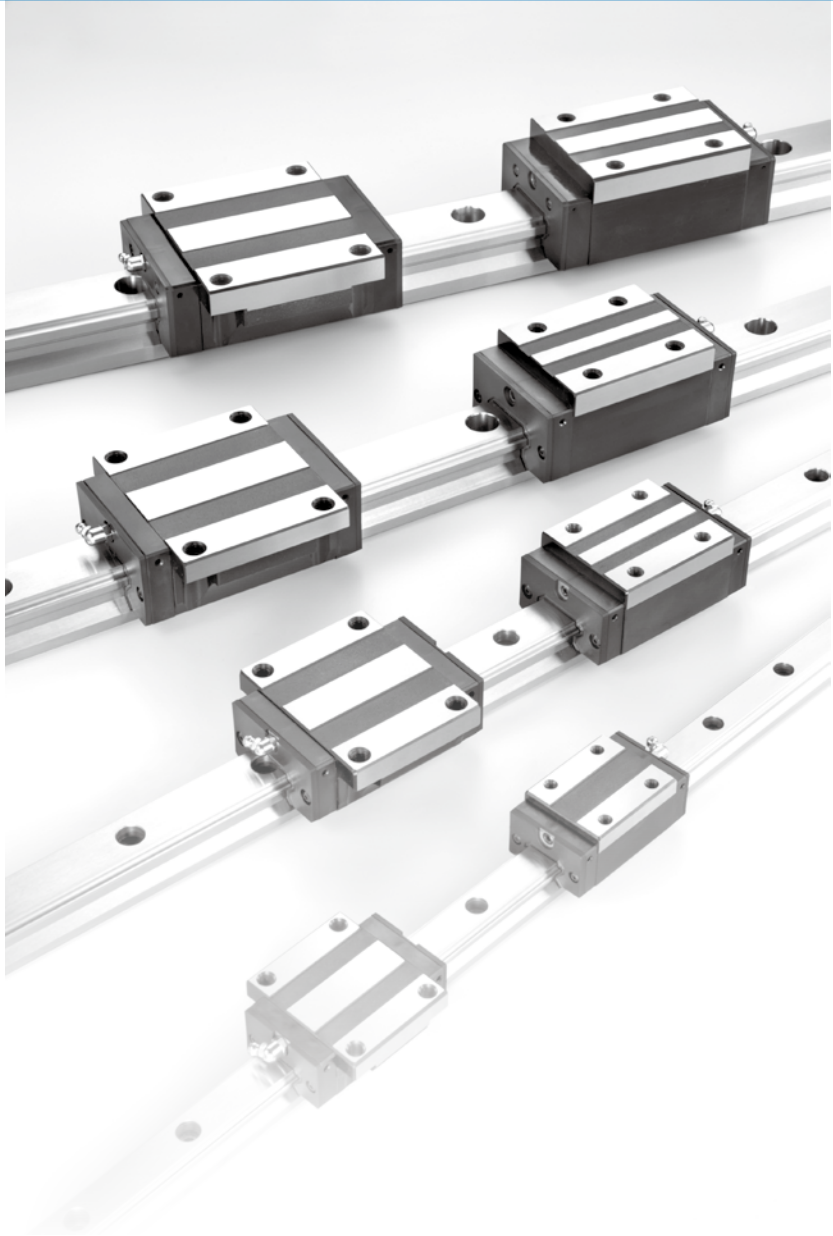
The optimum design of geometric mechanics makes the linear guideway to bear the load in all four directions, radial, reversed radial, and two lateral directions. Furthermore, the rigidity of linear guideway could be easily achieved by preloading carriage and by adding the number of carriages.

Suitable for high speed operation

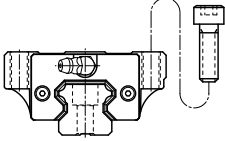
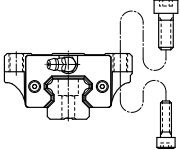
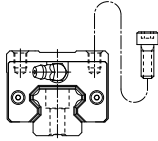
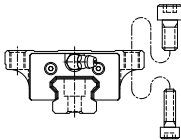
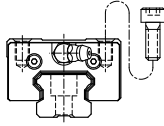
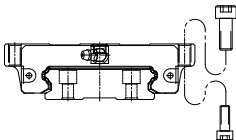
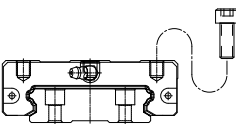
Due to the characteristic of low frictional resistance, the required driving force is much lower than in other systems, thus the power consumption is small. Moreover, the temperature rising effect is small even under high speed operation.

Easy installation with interchangeability

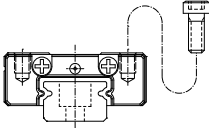
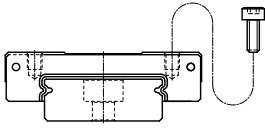
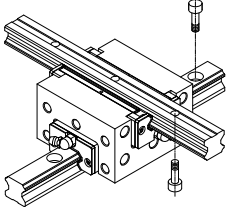
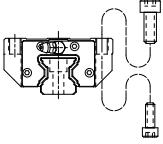
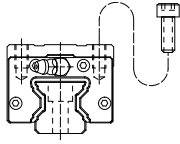
Compared with the high-skill required scrapping process of conventional slide guide, the linear guideway can offer high precision even if the mounting surface is machined by milling or grinding. Moreover the interchangeability of linear guideway gives a convenience for installation and future maintenance.



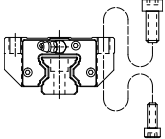
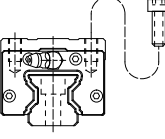
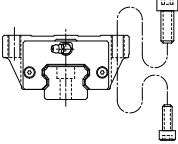
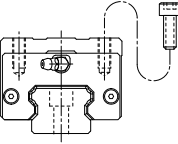
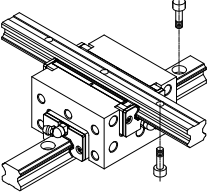
The Classification Chart of *PMI* Linear Guideways

Type	Model	
Full Ball, Heavy Load Type	MSA-A MSA-LA	
	MSA-E MSA-LE	
	MSA-S MSA-LS	
Full Ball, Compact Type	MSB-TE MSB-E	
	MSB-TS MSB-S	
Full Ball, Wide Rail Type	MSG-E	
	MSG-S	

Characteristics	Major Application
<ul style="list-style-type: none"> • Heavy Load, High Rigidity • Self Alignment Capability • Smooth Movement • Low Noise • Interchangeability 	<p>Machine Center NC Lathe XYZ Axes of Heavy Cutting Machine Tools Grinding Head Feeding Axis of Grinding Machines Milling Machine Z Axis of Boring Machine and Machine Tools EDM Z Axis of Industrial Machine</p>
<ul style="list-style-type: none"> • Compact, High Load • Self Alignment Capability • Smooth Movement • Low Noise • Interchangeability 	<p>Measuring Equipment Precision XY Table Welding Machine Binding Machine Auto Packing Machine</p>
<ul style="list-style-type: none"> • Heavy Load, High Rigidity • Self Alignment Capability • Smooth Movement • Low Noise • Interchangeability 	<p>Machine Center Auto Packing Machine Binding Machine Laser Cutting Machine</p>

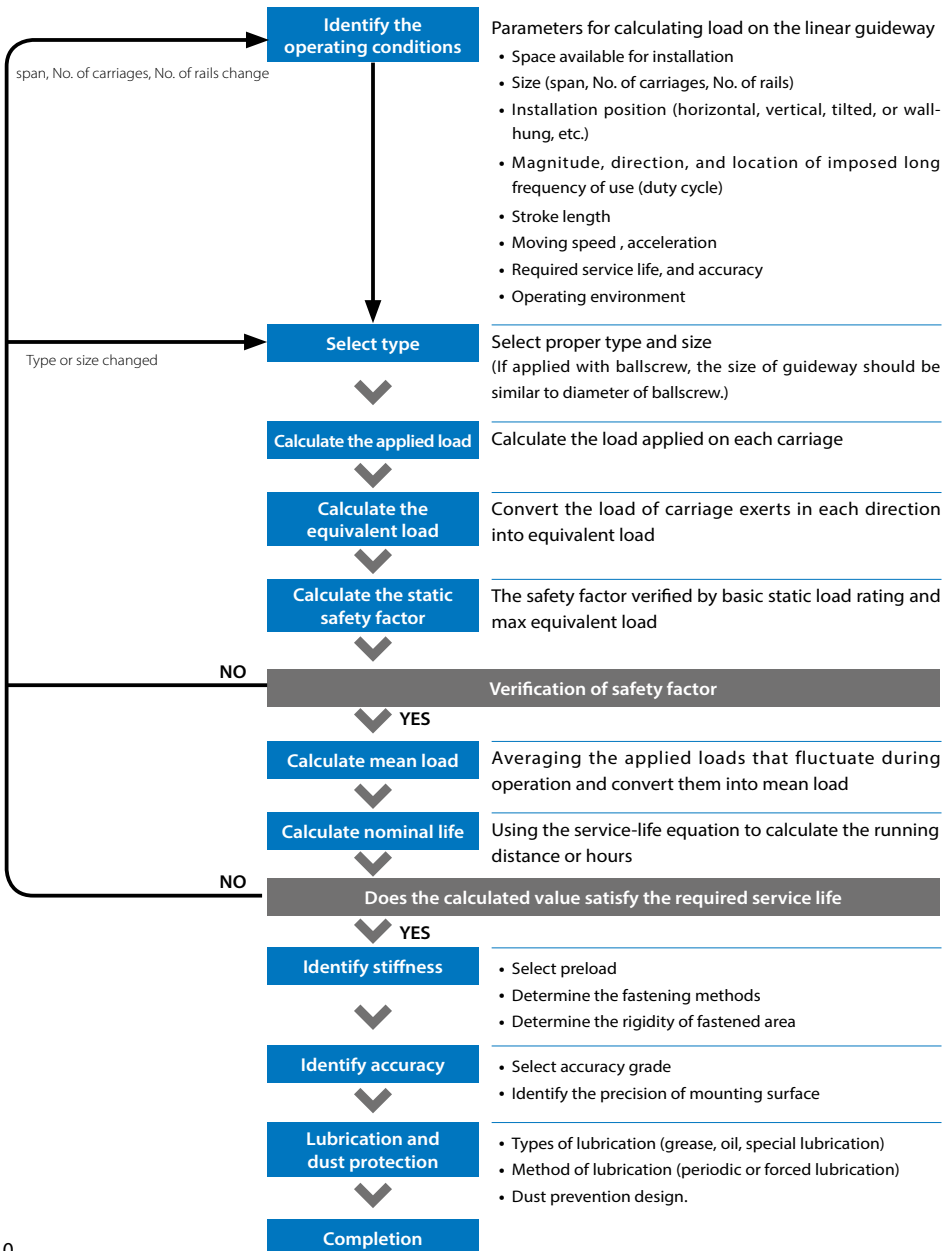
Type	Model	
Full Ball, Miniature Type	MSC	
	MSD	
Full Ball, Cross Linear Guideway	MSH-LS	
Full Roller, Heavy Load Type	MSR-E MSR-LE	
	MSR-S MSR-LS	

Characteristics	Major Application
<ul style="list-style-type: none"> • Ultra Compact • Smooth Movement • Low Noise • Ball Retainer • Interchangeability 	<p>IC/LSI Manufacturing Machine Hard Disc Drive Slide Unit of OA Equipment Wafer Transfer Equipment Printed Circuit Board Assembly Table Medical Equipment Inspection Equipment</p>
<ul style="list-style-type: none"> • Four-way Equal Load • High Rigidity 	<p>Swiss-type Lathe Biaxial operation of the machine</p>
<ul style="list-style-type: none"> • Ultra Heavy Load • Ultra High Rigidity • Smooth Movement • Low Noise • Good lubricant Effect 	<p>Machine Center NC Lathe Grinding Machine Five Axes Milling Machine Jig Borer Drilling Machine Horizontal Milling Machine Mold Processing Machine EDM</p>

Type	Model	
Roller Chain, Heavy Load Type	SMR-E SMR-LE	
	SMR-S SMR-LS	
Ball Chain, Heavy Load Type	SME-E SME-LE	
	SME-S SME-LS	
Ball Chain, Cross Linear Guideway	SMH-LS	

Characteristics	Major Application
<ul style="list-style-type: none"> • Ultra Heavy Load • Ultra High Rigidity • Roller Chain Design • Smooth Movement • Low Noise • Good Lubricant Effect 	<p>Machine Center NC Lathe Grinding Machine Five Axes Milling Machine Jig Borer Drilling Machine Horizontal Milling Machine Mold Processing Machine EDM</p>
<ul style="list-style-type: none"> • Heavy Load, High Rigidity • Self Alignment Capability • Ball Chain Design • Smooth Movement • Low Noise, Good Lubricant Effect • Interchangeability 	<p>Machine Center NC Lathe XYZ Axes of Heavy Cutting Machine Tools Grinding Head Feeding Axis of Grinding Machines Milling Machine Z Axis of Boring Machine and Machine Tools EDM Z Axis of Industrial Machine Measuring Equipment Precision XY Table Welding Machine Binding Machine Auto Packing Machine</p>
<ul style="list-style-type: none"> • Four-way Equal Load • Ball Chain Design, Smooth Movement • Good Lubricant Effect • High Rigidity 	<p>Swiss-type Lathe Biaxial Operation of the Machine</p>

The Procedure of Select Linear Guideway



Load Rating and Service Life of Linear Guideway

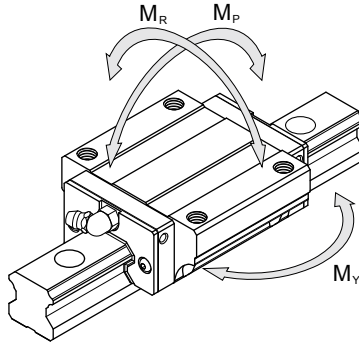
To obtain a model which is most suitable for your service conditions of the linear guideway system, the load capacity and service life of the model must be taken into consideration. To verify the static load capacity, the basic static load rating (C_0) is taken to obtain the static safety factor. The service life can be obtained by calculating the nominal life based on basic dynamic load rating. As the raceways or rolling elements are subjected repeated stresses, the service life of a linear guideway is defined as the total running distance that the linear guideway travel until flaking occurs.

Basic Static Load Rating (C_0)

A localized permanent deformation will develop between raceways and rolling elements when a linear guideway receives an excessive load or a large impact. If the magnitude of the deformation exceeds a certain limit, it could obstruct the smooth motion of the linear guideway. The basic static load rating (C_0) refers to a static load in a given direction with a specific magnitude applied at the contact area under the most stress where the sum of permanent deformation develops between the raceway and rolling elements is 0.0001 times of the diameter of rolling ball. Therefore, the basic static load rating sets a limit on the static permissible load.

Static Permissible Moment (M_0)

When a moment is applied to a linear guideway, the rolling balls on both ends will receive the most stress among the stress distribution over the rolling elements in the system. The static permissible moment (M_0) refers to a static moment in a given direction with specific magnitude applied at the contact area under the most stress where the sum of permanent deformation develops between the raceway and rolling elements is 0.0001 times the diameter of rolling elements. Therefore, the static permissible moment sets a limit on the static moment. In linear guideway system, the static permissible moment is defined as M_p , M_v , M_R three directions. See the figure below.



Static Safety Factor (f_s)

Due to the impact and vibration while the guideway at rest or moving, or the inertia from start and stop, the linear guideway may encounter with an unexpected external force. Therefore, the safety factor should be taken into consideration for effects of such operating loads. The static safety factor (f_s) is a ratio of the basic static load rating (C_0) to the calculated working load. The static safety factor for different kinds of application is shown as Table.

$$f_s = \frac{C_0}{P} \quad \text{or} \quad f_s = \frac{M_0}{M}$$

f_s Static safety factor

C_0 Basic static load rating (N)

M_0 Static permissible moment (N · m)

P Calculated working load (N)

M Calculated moment (N · m)

Machine Type	Load Condition	f_s (Lower limit)
Regular industrial machine	Normal loading condition	1.0 ~ 1.3
	With impact and vibration	2.0 ~ 3.0
Machine tool	Normal loading condition	1.0 ~ 1.5
	With impact and vibration	2.5 ~ 7.0

Standard value of static safety factor

Basic Dynamic Load Rating (C)

Even when identical linear guideways in a group are manufactured in the same way or applied under the same condition, the service life may be varied. Thus, the service life is used as an indicator for determining the service life of a linear guideway system. The nominal life (L) is defined as the total running distance that 90% of identical linear guideways in a group, when they are applied under the same conditions, can work without developing flaking. The basic dynamic load rating (C) can be used to calculate the service life when linear guideway system response to a load. The basic dynamic load rating (C) is defined as a load in a given direction and with a given magnitude that when a group of linear guideways operate under the same conditions. As the rolling element is ball, the nominal life of the linear guideway is 50 km. Moreover, as the rolling element is roller, the nominal life is 100 km.

Calculation of Nominal Life (L)

The nominal life of a linear guideway can be affected by the actual working load. The nominal life can be calculated base on selected basic dynamic load rating and actual working load. The nominal life of linear guideway system could be influenced widely by environmental factors such like hardness of raceway, environmental temperature, motion conditions, thus these factors should be considered for calculation of nominal life.

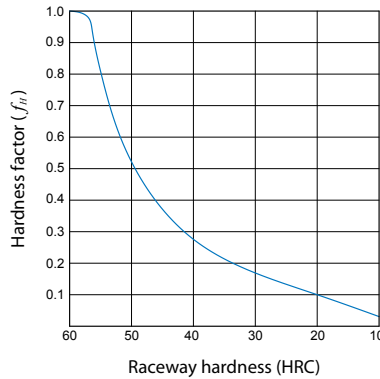
$$\text{Ball} \quad L = \left(\frac{f_H \times f_T}{f_W} \times \frac{C}{P} \right)^3 \times 50$$

$$\text{Roller} \quad L = \left(\frac{f_H \times f_T}{f_W} \times \frac{C}{P} \right)^{\frac{10}{3}} \times 100$$

- L Nominal life (km)
- C Basic dynamic load rating (N)
- P Working load (N)
- f_H Hardness factor
- f_T Temperature factor
- f_W Load factor

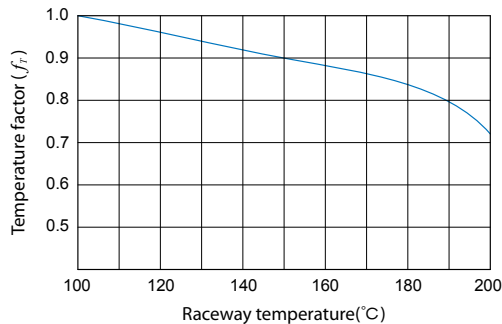
Hardness factor f_H

In order to ensure the optimum load capacity of linear guideway system, the hardness of raceway must be HRC58~64. If the hardness is lower than this range, the permissible load and nominal life will be decreased. For this reason, the basic dynamic load rating and the basic static load rating should be multiplied by hardness factor for rating calculation. See figure below. The hardness requirement of *PMI* linear guideway(in addition to miniature type) is above HRC58~62, thus the $f_H=1.0$.



Temperature factor f_T

When operating temperature higher than 100°C, the nominal life will be degraded. Therefore, the basic dynamic and static load rating should be multiplied by temperature factor for rating calculation. See figure below. The assemble parts of *PMI* guideway are made of plastic and rubber, therefore, the operating temperature below 100°C is strongly recommend. For special need, please contact us.



Load factor f_w

Although the working load of liner guideway system can be obtained by calculation, the actual load is mostly higher than calculated value. This is because the vibration and impact, caused by mechanical reciprocal motion, are difficult to be estimated. This is especially true when the vibration from high speed operation and the impact from repeated start and stop. Therefore, for consideration of speed and vibration, the basic dynamic load rating should be divided by the empirical load factor. See the table below.

Motion Condition	Operating Speed	f_w
No impact & vibration	$V \leq 15 \text{ m/min}$	1.0~1.2
Slight impact & vibration	$15 < V \leq 60 \text{ m/min}$	1.2~1.5
Moderate impact & vibration	$60 < V \leq 120 \text{ m/min}$	1.5~2.0
Strong impact & vibration	$V \geq 120 \text{ m/min}$	2.0~3.5

Calculation of Service Life in Time (L_h)

When the nominal life (L) is obtained, the service life in hours can be calculated by using the following equation when stroke length and reciprocating cycles are constant.

$$L_h = \frac{L \times 10^3}{2 \times l_s \times n_1 \times 60}$$

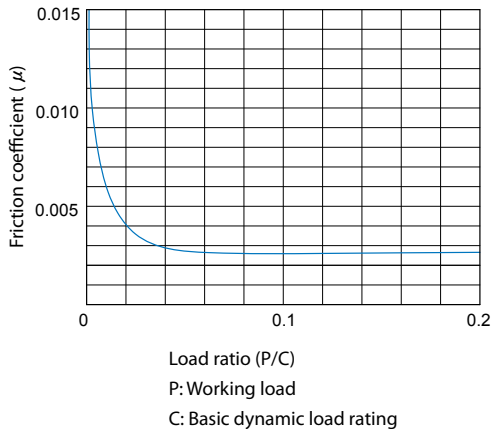
- L_h Service life in hours (*hr*)
- L Nominal life (*km*)
- l_s Stroke length (*m*)
- n_1 No. of reciprocating cycles per minute (*min⁻¹*)

Friction Coefficient

A linear guideway manipulates linear motion by rolling elements between the rail and the carriage. In which type of motion, the frictional resistance of linear guideway can be reduced to 1/20th to 1/40th of that in a slide guide. This is especially true in static friction which is much smaller than that in other systems. Moreover, the difference between static and dynamic friction is very little, so that the stick-slip situation does not occur. As such low friction, the submicron feeding can be carried out. The frictional resistance of a linear guideway system can be varied with the magnitude of load and preload, the viscosity resistance of lubricant, and other factors. The frictional resistance can be calculated by the following equation base on working load and seals resistance. Generally, the friction coefficient will be different from series to series, the friction coefficient of ball type is 0.002~0.003 (without considering the seal resistance) and the roller type is 0.001~0.002(without considering the seal resistance)

$$F = \mu \times P + f$$

- F Frictional resistance (kgf)
- μ Dynamic friction coefficient
- P Working load (kgf)
- f Seal resistance (kgf)



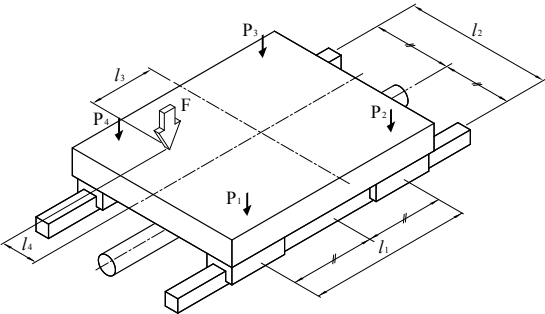
Relationship between working load and friction coefficient

Calculation of Working Load

The load applied to a linear guideway system could be varied with several factors such as the location of the center gravity of an object, the location of the thrust, and the inertial forces due to acceleration and deceleration during starting and stopping.

To select a correct linear guideway system, the above conditions must be considered for determining the magnitude of applied load.

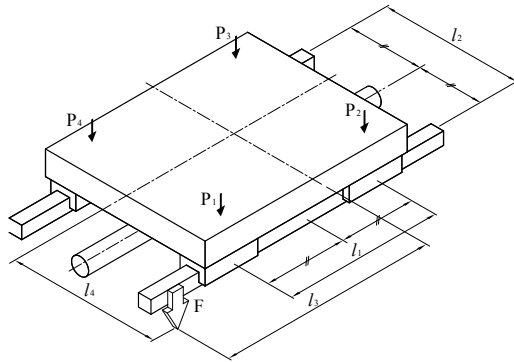
Examples for calculating working load

Type	<p style="text-align: center;">Horizontal application Uniform motion or at rest</p>
<p style="text-align: center;">Operation Conditions</p>	
<p style="text-align: center;">Equations</p>	$P_1 = \frac{F}{4} + \frac{F \cdot l_3}{2 \cdot l_1} - \frac{F \cdot l_4}{2 \cdot l_2}$ $P_2 = \frac{F}{4} - \frac{F \cdot l_3}{2 \cdot l_1} - \frac{F \cdot l_4}{2 \cdot l_2}$ $P_3 = \frac{F}{4} - \frac{F \cdot l_3}{2 \cdot l_1} + \frac{F \cdot l_4}{2 \cdot l_2}$ $P_4 = \frac{F}{4} + \frac{F \cdot l_3}{2 \cdot l_1} + \frac{F \cdot l_4}{2 \cdot l_2}$

Type

Overhung horizontal application
Uniform motion or at rest

Operation
Conditions



Equations

$$P_1 = \frac{F}{4} + \frac{F \cdot l_3}{2 \cdot l_1} + \frac{F \cdot l_4}{2 \cdot l_2}$$

$$P_2 = \frac{F}{4} - \frac{F \cdot l_3}{2 \cdot l_1} + \frac{F \cdot l_4}{2 \cdot l_2}$$

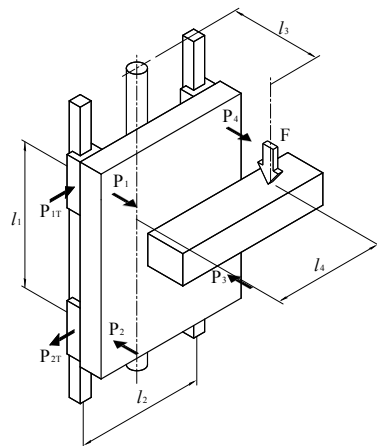
$$P_3 = \frac{F}{4} - \frac{F \cdot l_3}{2 \cdot l_1} - \frac{F \cdot l_4}{2 \cdot l_2}$$

$$P_4 = \frac{F}{4} + \frac{F \cdot l_3}{2 \cdot l_1} - \frac{F \cdot l_4}{2 \cdot l_2}$$

Type

Vertical application
Uniform motion or at rest

Operation
Conditions



Equations

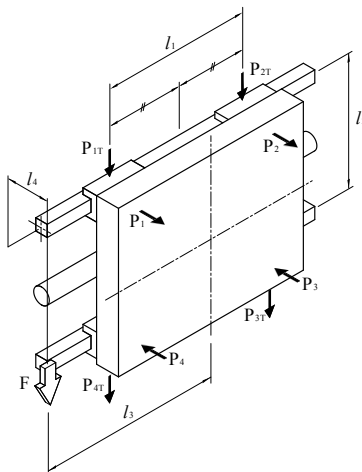
$$P_1 = P_2 = P_3 = P_4 = \frac{F \cdot l_3}{2 \cdot l_1}$$

$$P_{1T} = P_{2T} = P_{3T} = P_{4T} = \frac{F \cdot l_4}{2 \cdot l_1}$$

Type

Wall installation application
Uniform motion or at rest

Operation
Conditions



Equations

$$P_1 = P_2 = P_3 = P_4 = \frac{F \cdot l_4}{2 \cdot l_2}$$

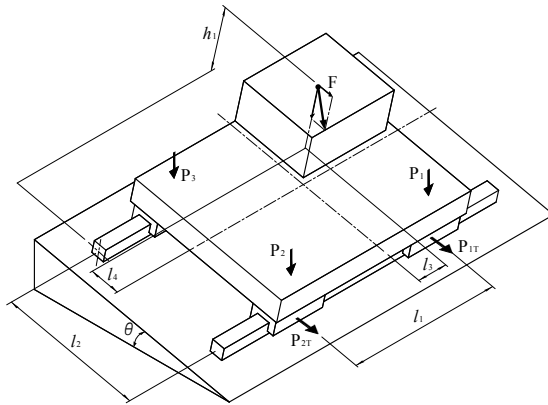
$$P_{1T} = P_{4T} = \frac{F}{4} + \frac{F \cdot l_3}{2 \cdot l_1}$$

$$P_{2T} = P_{3T} = \frac{F}{4} - \frac{F \cdot l_3}{2 \cdot l_1}$$

Type

Laterally tilted application

Operation Conditions



Equations

$$P_1 = \frac{F \cdot \cos \theta}{4} + \frac{F \cdot \cos \theta \cdot l_3}{2 \cdot l_1} - \frac{F \cdot \cos \theta \cdot l_4}{2 \cdot l_2} + \frac{F \cdot \sin \theta \cdot h_1}{2 \cdot l_2}$$

$$P_2 = \frac{F \cdot \cos \theta}{4} - \frac{F \cdot \cos \theta \cdot l_3}{2 \cdot l_1} - \frac{F \cdot \cos \theta \cdot l_4}{2 \cdot l_2} + \frac{F \cdot \sin \theta \cdot h_1}{2 \cdot l_2}$$

$$P_3 = \frac{F \cdot \cos \theta}{4} - \frac{F \cdot \cos \theta \cdot l_3}{2 \cdot l_1} + \frac{F \cdot \cos \theta \cdot l_4}{2 \cdot l_2} - \frac{F \cdot \sin \theta \cdot h_1}{2 \cdot l_2}$$

$$P_4 = \frac{F \cdot \cos \theta}{4} + \frac{F \cdot \cos \theta \cdot l_3}{2 \cdot l_1} + \frac{F \cdot \cos \theta \cdot l_4}{2 \cdot l_2} - \frac{F \cdot \sin \theta \cdot h_1}{2 \cdot l_2}$$

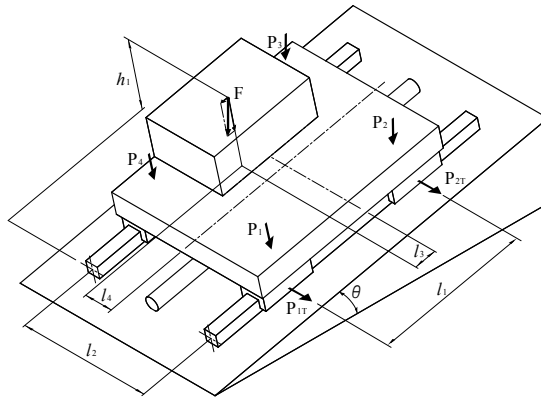
$$P_{1r} = P_{4r} = \frac{F \cdot \sin \theta}{4} + \frac{F \cdot \sin \theta \cdot l_3}{2 \cdot l_1}$$

$$P_{2r} = P_{3r} = \frac{F \cdot \sin \theta}{4} - \frac{F \cdot \sin \theta \cdot l_3}{2 \cdot l_1}$$

Type

Longitudinally tilted application

Operation
Conditions



Equations

$$P_1 = \frac{F \cdot \cos\theta}{4} + \frac{F \cdot \cos\theta \cdot l_3}{2 \cdot l_1} - \frac{F \cdot \cos\theta \cdot l_4}{2 \cdot l_2} + \frac{F \cdot \sin\theta \cdot h_1}{2 \cdot l_1}$$

$$P_2 = \frac{F \cdot \cos\theta}{4} - \frac{F \cdot \cos\theta \cdot l_3}{2 \cdot l_1} - \frac{F \cdot \cos\theta \cdot l_4}{2 \cdot l_2} - \frac{F \cdot \sin\theta \cdot h_1}{2 \cdot l_1}$$

$$P_3 = \frac{F \cdot \cos\theta}{4} - \frac{F \cdot \cos\theta \cdot l_3}{2 \cdot l_1} + \frac{F \cdot \cos\theta \cdot l_4}{2 \cdot l_2} - \frac{F \cdot \sin\theta \cdot h_1}{2 \cdot l_1}$$

$$P_4 = \frac{F \cdot \cos\theta}{4} + \frac{F \cdot \cos\theta \cdot l_3}{2 \cdot l_1} + \frac{F \cdot \cos\theta \cdot l_4}{2 \cdot l_2} + \frac{F \cdot \sin\theta \cdot h_1}{2 \cdot l_1}$$

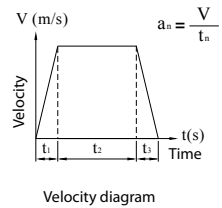
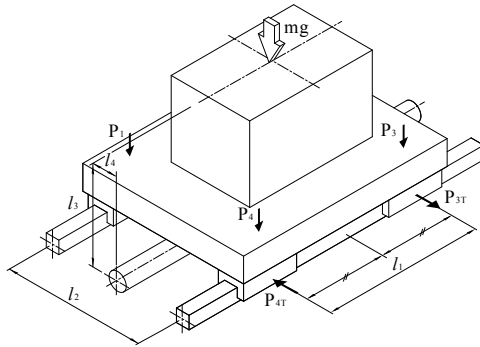
$$P_{1r} = P_{4r} = + \frac{F \cdot \sin\theta \cdot l_4}{2 \cdot l_1}$$

$$P_{2r} = P_{3r} = - \frac{F \cdot \sin\theta \cdot l_4}{2 \cdot l_1}$$

Type

Horizontal application
 Subjected to inertia

Operation
 Conditions



Equations

During acceleration

$$P_1 = P_4 = \frac{mg}{4} - \frac{m a_i \cdot l_3}{2 \cdot l_1}$$

$$P_2 = P_3 = \frac{mg}{4} + \frac{m a_i \cdot l_3}{2 \cdot l_1}$$

$$P_{1T} = P_{2T} = P_{3T} = P_{4T} = \frac{m a_i \cdot l_4}{2 \cdot l_1}$$

In uniform motion

$$P_1 = P_2 = P_3 = P_4 = \frac{mg}{4}$$

During deceleration

$$P_1 = P_4 = \frac{mg}{4} + \frac{m a_3 \cdot l_3}{2 \cdot l_1}$$

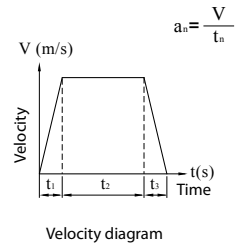
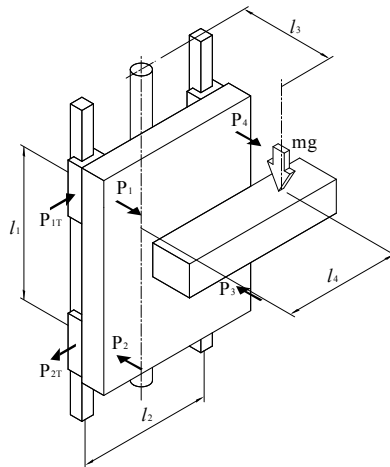
$$P_2 = P_3 = \frac{mg}{4} - \frac{m a_3 \cdot l_3}{2 \cdot l_1}$$

$$P_{1T} = P_{2T} = P_{3T} = P_{4T} = \frac{m a_3 \cdot l_4}{2 \cdot l_1}$$

Type

Vertical application
Subjected to inertia

Operation
Conditions



Equations

During acceleration

$$P_1 = P_2 = P_3 = P_4 = \frac{m \cdot (g + a_1) \cdot l_3}{2 \cdot l_1}$$

$$P_{1T} = P_{2T} = P_{3T} = P_{4T} = \frac{m \cdot (g + a_1) \cdot l_4}{2 \cdot l_1}$$

In uniform motion

$$P_1 = P_2 = P_3 = P_4 = \frac{m \cdot g \cdot l_3}{2 \cdot l_1}$$

$$P_{1T} = P_{2T} = P_{3T} = P_{4T} = \frac{m \cdot g \cdot l_4}{2 \cdot l_1}$$

During deceleration

$$P_1 = P_2 = P_3 = P_4 = \frac{m \cdot (g - a_3) \cdot l_3}{2 \cdot l_1}$$

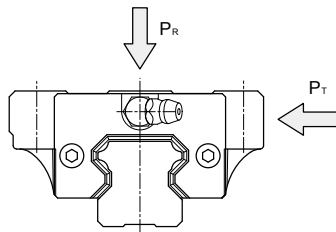
$$P_{1T} = P_{2T} = P_{3T} = P_{4T} = \frac{m \cdot (g - a_3) \cdot l_4}{2 \cdot l_1}$$

Calculation of the Equivalent Load

The linear guideway system can take up loads and moments in all four directions those are radial load, reverse-radial load, and lateral load simultaneously. When more than one load is exerted on linear guideway system simultaneously, all loads could be converted into radial or lateral equivalent load for calculating service life and static safety factor. **PMI** linear guideway has four-way equal load design. The calculation of equivalent load for the use of two or more linear guideways is shown as below.

$$P_E = |P_R| + |P_T|$$

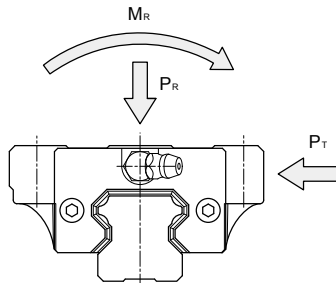
- P_E Equivalent load (N)
- P_R Radial or reverse-radial load (N)
- P_T Lateral load (N)



For the case of mono rail, the moment effect should be considered. The equation is:

$$P_E = |P_R| + |P_T| + C_0 \cdot \frac{|M|}{M_R}$$

- P_E Equivalent load (N)
- P_R Radial or reverse-radial load (N)
- P_T Lateral load (N)
- C_0 Basic static load rating (N)
- M Calculated moment (N · m)
- M_R Permissible static moment (N · m)



The Calculation of the Mean Load

When a linear guideway system receives varying loads, the service life could be calculated in consideration of varying loads of the host-system operation conditions. The mean load (P_m) is the load that the service life is equivalent to the system which under the varying load conditions. The equation of mean load is:

$$P_m = e \sqrt{\frac{1}{L} \cdot \sum_{n=1}^n (P_n^e \cdot L_n)}$$

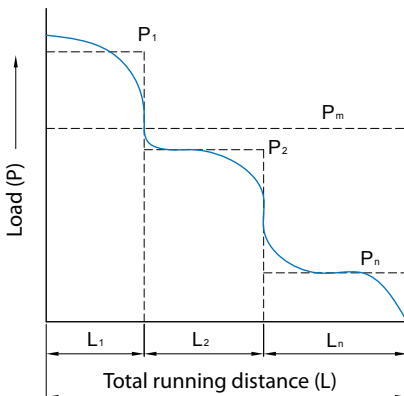
- P_m Mean load (N)
- P_n Varying load (N)
- L Total running distance (mm)
- L_n Running distance under load P_n (mm)
- e Exponent (Ball type:3, Roller type:10/3)

Examples for calculating mean load

Types of Varying Load

Calculation of Mean Load

Loads that change stepwise



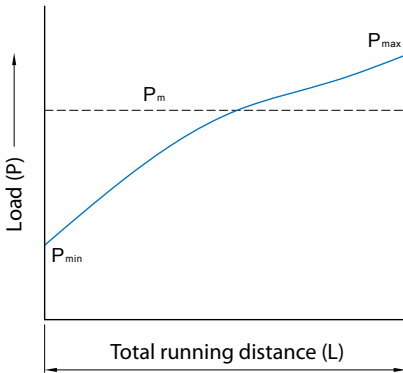
$$P_m = e \sqrt{\frac{1}{L} (P_1^e \cdot L_1 + P_2^e \cdot L_2 \dots + P_n^e \cdot L_n)}$$

- P_m Mean load (N)
- P_n Varying load (N)
- L Total running distance (mm)
- L_n Running distance under load P_n (mm)

Types of Varying Load

Calculation of Mean Load

Loads that change monotonously



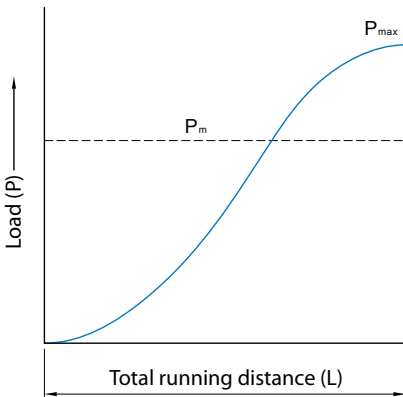
$$P_m \cong \frac{1}{3} (P_{min} + 2 \cdot P_{max})$$

P_m Mean load (N)

P_{min} Minimum load (N)

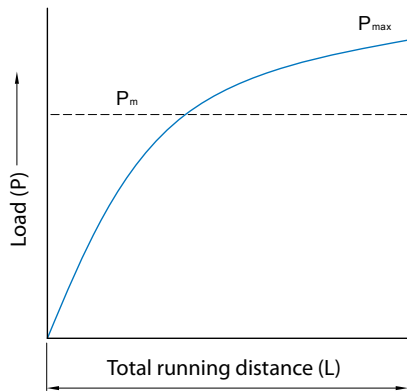
P_{max} Maximum load (N)

Loads that change sinusoidally



$$P_m \cong 0.65 \cdot P_{max}$$

P_m Mean load (N)
 P_{max} Maximum load (N)



$$P_m \cong 0.75 \cdot P_{max}$$

P_m Mean load (N)
 P_{max} Maximum load (N)

Calculation Example

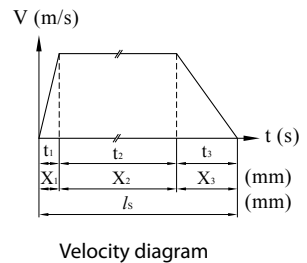
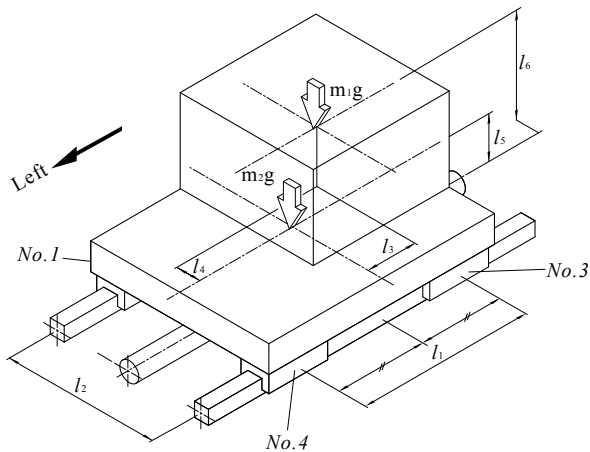
Operation conditions

Model MSA35LA2SSFC + R2520-20/20 P II

Basic dynamic load rating : $C = 63.6 \text{ kN}$

Basic static load rating : $C_0 = 100.6 \text{ kN}$

Mass	$m_1 = 700 \text{ kg}$	Stroke	$l_5 = 1500 \text{ mm}$
	$m_2 = 450 \text{ kg}$		
Velocity	$V = 0.75 \text{ m/s}$	Distance	$l_1 = 650 \text{ mm}$
			$l_2 = 450 \text{ mm}$
			$l_3 = 135 \text{ mm}$
Time	$t_1 = 0.05 \text{ s}$		$l_4 = 60 \text{ mm}$
	$t_2 = 1.9 \text{ s}$		$l_5 = 175 \text{ mm}$
	$t_3 = 0.15 \text{ s}$		$l_6 = 400 \text{ mm}$
Acceleration	$a_1 = 15 \text{ m/s}^2$		
	$a_3 = 5 \text{ m/s}^2$		



Calculate the load that each carriage exerts

Uniform motion, Radial load P_n

$$P_1 = \frac{m_1 g}{4} - \frac{m_1 g \cdot l_3}{2l_1} + \frac{m_1 g \cdot l_4}{2l_2} + \frac{m_2 g}{4}$$

$$= 2562.4 \text{ N}$$

$$P_2 = \frac{m_1 g}{4} + \frac{m_1 g \cdot l_3}{2l_1} + \frac{m_1 g \cdot l_4}{2l_2} + \frac{m_2 g}{4}$$

$$= 3987.2 \text{ N}$$

$$P_3 = \frac{m_1 g}{4} + \frac{m_1 g \cdot l_3}{2l_1} - \frac{m_1 g \cdot l_4}{2l_2} + \frac{m_2 g}{4}$$

$$= 3072.6 \text{ N}$$

$$P_4 = \frac{m_1 g}{4} - \frac{m_1 g \cdot l_3}{2l_1} - \frac{m_1 g \cdot l_4}{2l_2} + \frac{m_2 g}{4}$$

$$= 1647.8 \text{ N}$$

During acceleration to the left, Radial load $P_n l a_1$

$$P_1 l a_1 = P_1 - \frac{m_1 \cdot a_1 \cdot l_6}{2l_1} - \frac{m_2 \cdot a_1 \cdot l_5}{2l_1}$$

$$= -1577 \text{ N}$$

$$P_2 l a_1 = P_2 + \frac{m_1 \cdot a_1 \cdot l_6}{2l_1} + \frac{m_2 \cdot a_1 \cdot l_5}{2l_1}$$

$$= 8126.6 \text{ N}$$

$$P_3 l a_1 = P_3 + \frac{m_1 \cdot a_1 \cdot l_6}{2l_1} + \frac{m_2 \cdot a_1 \cdot l_5}{2l_1}$$

$$= 7212 \text{ N}$$

$$P_4 l a_1 = P_4 - \frac{m_1 \cdot a_1 \cdot l_6}{2l_1} - \frac{m_2 \cdot a_1 \cdot l_5}{2l_1}$$

$$= -2491.6 \text{ N}$$

Lateral load $P_t l a_1$

$$P_{t1} l a_1 = - \frac{m_1 \cdot a_1 \cdot l_4}{2l_1} = -484.6 \text{ N}$$

$$P_{t3} l a_1 = \frac{m_1 \cdot a_1 \cdot l_4}{2l_1} = 484.6 \text{ N}$$

$$P_{t2} l a_1 = \frac{m_1 \cdot a_1 \cdot l_4}{2l_1} = 484.6 \text{ N}$$

$$P_{t4} l a_1 = - \frac{m_1 \cdot a_1 \cdot l_4}{2l_1} = -484.6 \text{ N}$$

During deceleration to the left, Radial load $P_n la_3$

$$P_1 la_3 = P_1 + \frac{m_1 \cdot a_3 \cdot l_6}{2l_1} + \frac{m_2 \cdot a_3 \cdot l_5}{2l_1}$$
$$= 3942.2 \text{ N}$$

$$P_2 la_3 = P_2 - \frac{m_1 \cdot a_3 \cdot l_6}{2l_1} - \frac{m_2 \cdot a_3 \cdot l_5}{2l_1}$$
$$= 2607.4 \text{ N}$$

$$P_3 la_3 = P_3 - \frac{m_1 \cdot a_3 \cdot l_6}{2l_1} - \frac{m_2 \cdot a_3 \cdot l_5}{2l_1}$$
$$= 1692.8 \text{ N}$$

$$P_4 la_3 = P_4 + \frac{m_1 \cdot a_3 \cdot l_6}{2l_1} + \frac{m_2 \cdot a_3 \cdot l_5}{2l_1}$$
$$= 3027.6 \text{ N}$$

Lateral load $Pt_n la_3$

$$Pt_1 la_3 = \frac{m_1 \cdot a_3 \cdot l_4}{2l_1} = 161.5 \text{ N}$$

$$Pt_2 la_3 = -\frac{m_1 \cdot a_3 \cdot l_4}{2l_1} = -161.5 \text{ N}$$

$$Pt_3 la_3 = -\frac{m_1 \cdot a_3 \cdot l_4}{2l_1} = -161.5 \text{ N}$$

$$Pt_4 la_3 = \frac{m_1 \cdot a_3 \cdot l_4}{2l_1} = 161.5 \text{ N}$$

During acceleration to the right, Radial load $P_n ra_1$

$$P_1 ra_1 = P_1 + \frac{m_1 \cdot a_1 \cdot l_6}{2l_1} + \frac{m_2 \cdot a_1 \cdot l_5}{2l_1}$$
$$= 6701.8 \text{ N}$$

$$P_2 ra_1 = P_2 - \frac{m_1 \cdot a_1 \cdot l_6}{2l_1} - \frac{m_2 \cdot a_1 \cdot l_5}{2l_1}$$
$$= -152.2 \text{ N}$$

$$P_3 ra_1 = P_3 - \frac{m_1 \cdot a_1 \cdot l_6}{2l_1} - \frac{m_2 \cdot a_1 \cdot l_5}{2l_1}$$
$$= -1066.8 \text{ N}$$

$$P_4 ra_1 = P_4 + \frac{m_1 \cdot a_1 \cdot l_6}{2l_1} + \frac{m_2 \cdot a_1 \cdot l_5}{2l_1}$$
$$= 5787.2 \text{ N}$$

Lateral load $Pt_n ra_1$

$$Pt_1 ra_1 = \frac{m_1 \cdot a_1 \cdot l_4}{2l_1} = 484.6 \text{ N}$$

$$Pt_2 ra_1 = -\frac{m_1 \cdot a_1 \cdot l_4}{2l_1} = -484.6 \text{ N}$$

$$Pt_3 ra_1 = -\frac{m_1 \cdot a_1 \cdot l_4}{2l_1} = -484.6 \text{ N}$$

$$Pt_4 ra_1 = \frac{m_1 \cdot a_1 \cdot l_4}{2l_1} = 484.6 \text{ N}$$

During deceleration to the right, Radial load $P_n ra_3$

$$P_1 ra_3 = P_1 - \frac{m_1 \cdot a_3 \cdot l_6}{2l_1} - \frac{m_2 \cdot a_3 \cdot l_5}{2l_1}$$

$$= 1182.6 \text{ N}$$

$$P_2 ra_3 = P_2 + \frac{m_1 \cdot a_3 \cdot l_6}{2l_1} + \frac{m_2 \cdot a_3 \cdot l_5}{2l_1}$$

$$= 5367 \text{ N}$$

$$P_3 ra_3 = P_3 + \frac{m_1 \cdot a_3 \cdot l_6}{2l_1} + \frac{m_2 \cdot a_3 \cdot l_5}{2l_1}$$

$$= 4452.4 \text{ N}$$

$$P_4 ra_3 = P_4 - \frac{m_1 \cdot a_3 \cdot l_6}{2l_1} - \frac{m_2 \cdot a_3 \cdot l_5}{2l_1}$$

$$= 268 \text{ N}$$

Lateral load $Pt_n ra_1$

$$Pt_1 ra_3 = - \frac{m_1 \cdot a_3 \cdot l_4}{2l_1} = -161.5 \text{ N}$$

$$Pt_3 ra_3 = \frac{m_1 \cdot a_3 \cdot l_4}{2l_1} = 161.5 \text{ N}$$

$$Pt_2 ra_3 = \frac{m_1 \cdot a_3 \cdot l_4}{2l_1} = 161.5 \text{ N}$$

$$Pt_4 ra_3 = - \frac{m_1 \cdot a_3 \cdot l_4}{2l_1} = -161.5 \text{ N}$$

Calculate equivalent load

In uniform motion

$$P_{E1} = P_1 = 2562.4 \text{ N}$$

$$P_{E2} = P_2 = 3987.2 \text{ N}$$

$$P_{E3} = P_3 = 3072.6 \text{ N}$$

$$P_{E4} = P_4 = 1647.8 \text{ N}$$

During acceleration to the left

$$P_{E1}la_1 = |P_1la_1| + |Pt_1la_1| = 2061.6 \text{ N}$$

$$P_{E2}la_1 = |P_2la_1| + |Pt_2la_1| = 8611.2 \text{ N}$$

$$P_{E3}la_1 = |P_3la_1| + |Pt_3la_1| = 7696.6 \text{ N}$$

$$P_{E4}la_1 = |P_4la_1| + |Pt_4la_1| = 2976.2 \text{ N}$$

During deceleration to the left

$$P_{E1}la_3 = |P_1la_3| + |Pt_1la_3| = 4103.7 \text{ N}$$

$$P_{E2}la_3 = |P_2la_3| + |Pt_2la_3| = 2768.9 \text{ N}$$

$$P_{E3}la_3 = |P_3la_3| + |Pt_3la_3| = 1854.3 \text{ N}$$

$$P_{E4}la_3 = |P_4la_3| + |Pt_4la_3| = 3189.1 \text{ N}$$

During acceleration to the right

$$P_{E1}ra_1 = |P_1ra_1| + |Pt_1ra_1| = 7186.4 \text{ N}$$

$$P_{E2}ra_1 = |P_2ra_1| + |Pt_2ra_1| = 636.8 \text{ N}$$

$$P_{E3}ra_1 = |P_3ra_1| + |Pt_3ra_1| = 1551.4 \text{ N}$$

$$P_{E4}ra_1 = |P_4ra_1| + |Pt_4ra_1| = 6271.8 \text{ N}$$

During deceleration to the right

$$P_{E1}ra_3 = |P_1ra_3| + |Pt_1ra_3| = 1344.1 \text{ N}$$

$$P_{E2}ra_3 = |P_2ra_3| + |Pt_2ra_3| = 5528.5 \text{ N}$$

$$P_{E3}ra_3 = |P_3ra_3| + |Pt_3ra_3| = 4613.9 \text{ N}$$

$$P_{E4}ra_3 = |P_4ra_3| + |Pt_4ra_3| = 429.5 \text{ N}$$

Calculation of static factor

From above, the maximum load is exerted on carriage No.2 when during acceleration of the 2nd linear guideway to the left.

$$fs = \frac{C_O}{P_{E2}la_1} = \frac{100.6 \times 10^3}{8611.2} = 11.7$$

Calculate the mean load on each carriage P_{mn}

$$P_{m1} = \sqrt[3]{\frac{(P_{E1}la_1^3 \cdot X_1 + P_{E1}^3 \cdot X_2 + P_{E1}la_3^3 \cdot X_3 + P_{E1}ra_1^3 \cdot X_1 + P_{E1}^3 \cdot X_2 + P_{E1}ra_3^3 \cdot X_3)}{2l_s}} = 2700.7 \text{ N}$$

$$P_{m2} = \sqrt[3]{\frac{(P_{E2}la_1^3 \cdot X_1 + P_{E2}^3 \cdot X_2 + P_{E2}la_3^3 \cdot X_3 + P_{E2}ra_1^3 \cdot X_1 + P_{E2}^3 \cdot X_2 + P_{E2}ra_3^3 \cdot X_3)}{2l_s}} = 4077.2 \text{ N}$$

$$P_{m3} = \sqrt[3]{\frac{(P_{E3}la_1^3 \cdot X_1 + P_{E3}^3 \cdot X_2 + P_{E3}la_3^3 \cdot X_3 + P_{E3}ra_1^3 \cdot X_1 + P_{E3}^3 \cdot X_2 + P_{E3}ra_3^3 \cdot X_3)}{2l_s}} = 3187.7 \text{ N}$$

$$P_{m4} = \sqrt[3]{\frac{(P_{E4}la_1^3 \cdot X_1 + P_{E4}^3 \cdot X_2 + P_{E4}la_3^3 \cdot X_3 + P_{E4}ra_1^3 \cdot X_1 + P_{E4}^3 \cdot X_2 + P_{E4}ra_3^3 \cdot X_3)}{2l_s}} = 1872.6 \text{ N}$$

Calculation of nominal life L_n

Base on the equation of the nominal life, we assume the $f_w=1.5$ and the result is as below:

$$L_1 = \left(\frac{C}{f_w \cdot P_{m1}} \right)^3 \times 50 = 193500 \text{ km} \qquad L_3 = \left(\frac{C}{f_w \cdot P_{m3}} \right)^3 \times 50 = 117700 \text{ km}$$

$$L_2 = \left(\frac{C}{f_w \cdot P_{m2}} \right)^3 \times 50 = 56231 \text{ km} \qquad L_4 = \left(\frac{C}{f_w \cdot P_{m4}} \right)^3 \times 50 = 580400 \text{ km}$$

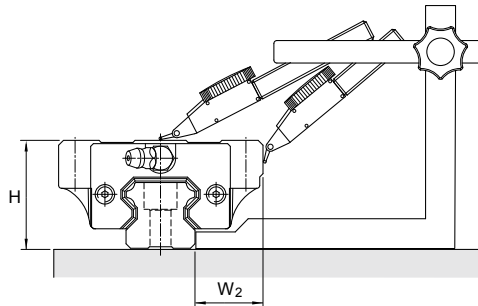
From these calculations and under the operating conditions specified as above, the 56231 km running distance as service life of carriage No.2 is obtained.

Accuracy Standard

The accuracy of linear guideway includes the dimensional tolerance of height, width, and the running accuracy of the carriage on the rail. The standard of the dimension difference is built for two or more carriages on a rail or a number of rails are used on the same plane. The accuracy of linear guideway is divided into 5 classes, normal grade (N), high precision (H), precision (P), super precision (SP), and ultra precision (UP).

Running parallelism

The running accuracy is the deviation of parallelism between the reference surface of carriage and reference surface of rail when carriage moving over the entire length of rail.



Height difference (ΔH)

The height difference (ΔH) means the height difference among carriages installed on the same plane.

Width difference (ΔW_2)

The width difference (ΔW_2) means the width difference among carriages installed on a rail.

Note: When two or more linear guideways are used on the same plane, the tolerance of W_2 and difference of ΔW_2 is applicable to master rail only.

Note: The accuracy is measured at the center or central area of carriage.

Note: The rail is smoothly curved so that the required accuracy is easily achieved by pressing the rail to the reference surface of the machine. If it is mounted on a less rigid base such as an aluminum base, the curve of the rail will affect the accuracy of the machine. Therefore, it is necessary to define straightness of the rail in advance.

The Selection of Accuracy Grade

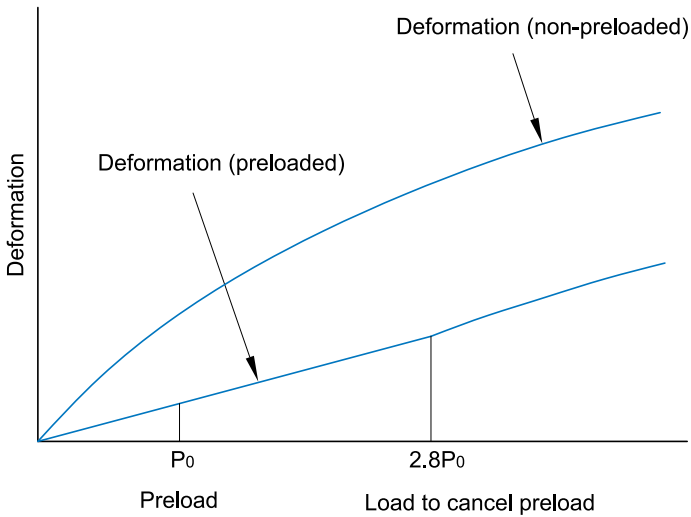
The accuracy grade for different applications shown as table below.

Sort	Application	Accuracy Grade				
		N	H	P	SP	UP
Machine Tool	Machining center			●	●	
	Lathe			●	●	
	Milling machine			●	●	
	Boring machine			●	●	
	Jig borer				●	●
	Grinding machine				●	●
	Electric discharge machine			●	●	●
	Punching press		●	●		
	Laser-beam machine		●	●	●	
	Woodworking machine	●	●	●		
	NC drilling machine		●	●		
	Tapping center		●	●		
	Pallet changer	●				
	ATC	●				
	Wire cutter			●	●	
	Dresser				●	●

Sort	Application	Accuracy Grade				
		N	H	P	SP	UP
Industrial Robot	Cartesian coordinate robot	•	•	•		
	Cylindrical coordinate robot	•	•			
Semiconductor Manufacturing	Wire bonder			•	•	
	Prober				•	•
	Electronic-component inserter		•	•		
	Printed-circuit-board drilling machine		•	•	•	
Others	Injection-molding machine	•	•			
	3D measuring instrument				•	•
	Office equipment	•	•			
	Transfer equipment	•	•			
	XY table		•	•	•	
	Painting machine	•	•			
	Welding machine	•	•			
	Medical equipment	•	•			
	Digitizer		•	•	•	
Inspection equipment			•	•	•	

Calculation of the Equivalent Load

The rigidity of a linear guideway could be enhanced by increasing the preload. As shown as below figure, the load could be raised up to 2.8 times the preload applied. The preload is represented by negative clearance resulting from the increase of rolling element diameter. Therefore, the preload should be considered in calculation service life.



The Selection of Preload

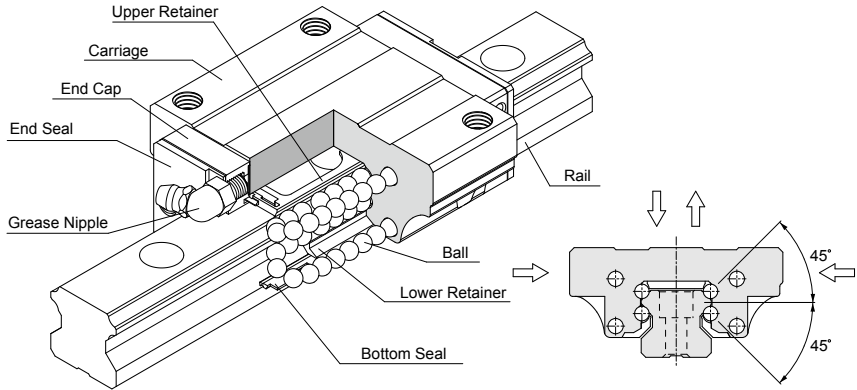
Selecting proper preload from table below to adapt the specific application and condition.

Preload grade	Fitted condition	Application examples
Clearance (FZ)	<ul style="list-style-type: none"> The loading direction is fixed, vibration and impact are light, and two axes are applied in parallel. High precision is not required, and the low frictional resistance is need. 	Semiconductor facilities, medical equipment, stage systems, press machine, welding machine, industrial robot, and other small sliding systems.
Light preload (FC)	<ul style="list-style-type: none"> The loading direction is fixed, vibration and impact are light, and two axes are applied in parallel. High precision is not required, and the low frictional resistance is needed. 	Welding machine, binding machine, auto packing machine, XY axis of ordinary industrial machine, material handling equipments.
Medium preload (F0)	<ul style="list-style-type: none"> Overhang application with a moment load. Applied in one-axis configuration The need of light preload and high precision. 	Z axis of industrial machines, EDM, precision XY table, PC board drilling machine, industrial robot, NC lathe, measuring equipment, grinding machine, auto painting machine.
Heavy preload (F1)	<ul style="list-style-type: none"> Machine is subjected to vibration and impact, and high rigidity required. Application of heavy load or heavy cutting. 	Machine center, NC lathe, grinding machine, milling machine, Z axis of boring machine and machine tools.
Ultra heavy preload (F2)	<ul style="list-style-type: none"> Machine is subjected to vibration and impact, and high rigidity required. Application of heavy load or heavy cutting. 	Machine center, NC lathe, grinding machine, milling machine, Z axis of boring machine and machine tools.

- **Linear Guideway**
Introduction of Each Series

Heavy Load Type, MSA Series

Construction



Characteristics

The trains of balls are designed to a contact angle of 45° which enables it to bear an equal load in radial, reversed radial and lateral directions. Therefore, it can be applied in any installation direction. Furthermore, MSA series can achieve a well balanced preload for increasing rigidity in four directions while keeping a low frictional resistance. This is especially suit to high precision and high rigidity required motion.

The patent design of lubrication route makes the lubricant evenly distribute in each circulation loop. Therefore, the optimum lubrication can be achieved in any installation direction, and this promotes the performance in running accuracy, service life, and reliability.

High Rigidity, Four-way Equal Load

The four trains of balls are allocated to a circular contact angle at 45° , thus each train of balls can take up an equal rated load in all four directions. Moreover, a sufficient preload can be achieved to increase rigidity, and this makes it suitable for any kind of installation.

Smooth Movement with Low Noise

The simplified design of circulating system with strengthened synthetic resin accessories makes the movement smooth and quiet.

Self Alignment Capability

The self adjustment is performed spontaneously as the design of face-to-face (DF) circular arc groove. Therefore, the installation error could be compensated even under a preload, and which results in precise and smooth linear motion.

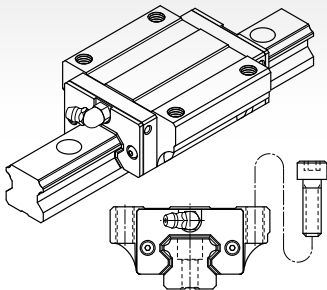
Interchangeability

For interchangeable type of linear guideway, the dimensional tolerances are strictly maintained within a reasonable range, and this has made the random matching of the same size of rails and carriages possible. Therefore, the similar preload and accuracy can be obtained even under the random matching condition. As a result of this advantage, the linear guideway can be stocked as standard parts, the installation and maintenance become more convenient. Moreover, this is also beneficial for shortening the delivery time.

Carriage Type

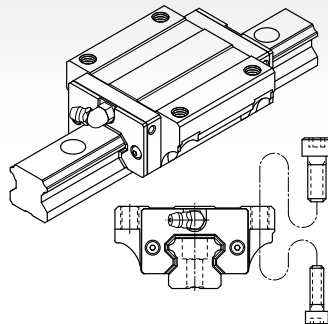
Heavy Load

MSA-A Type



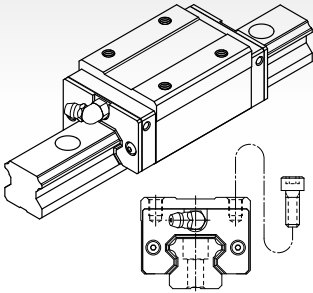
Installed from top side of carriage with the thread length longer than MSA-E type.

MSA-E Type



This type offers the installation either from top or bottom side of carriage.

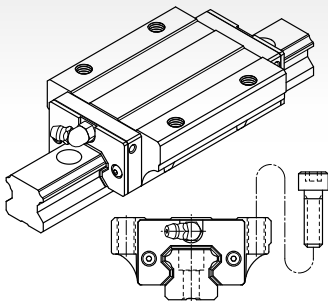
MSA-S Type



Square type with smaller width and can be installed from top side of carriage.

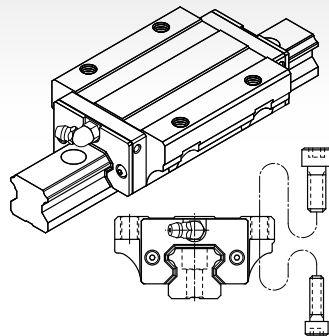
Ultra Heavy Load

MSA-LA Type



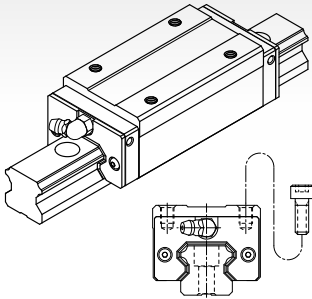
All dimensions are same as MSA-A except the length is longer, which makes it more rigid.

MSA-LE Type



All dimensions are same as MSA-E except the length is longer, which makes it more rigid.

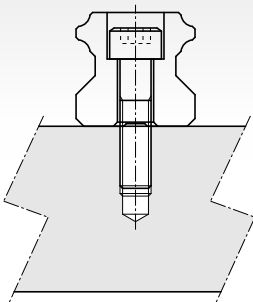
MSA-LS Type



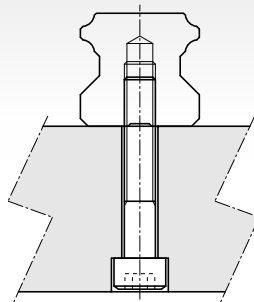
All dimensions are same as MSA-S except the length is longer, which makes it more rigid.

Rail Type

Counter Bore (R type)



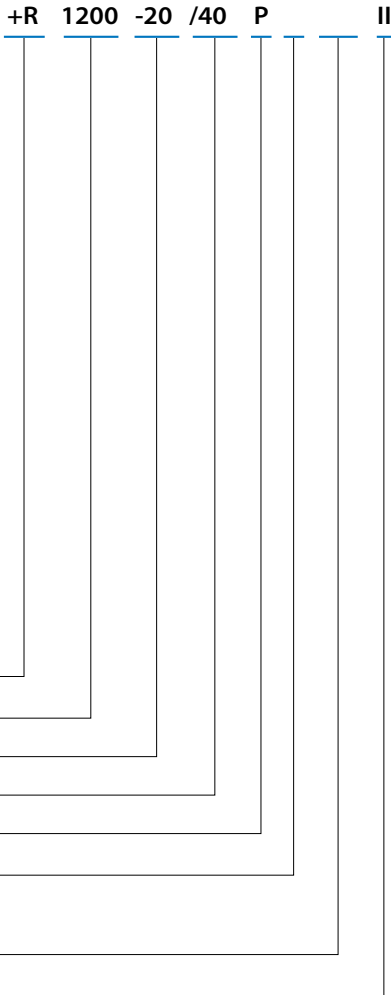
Tapped Hole (T type)

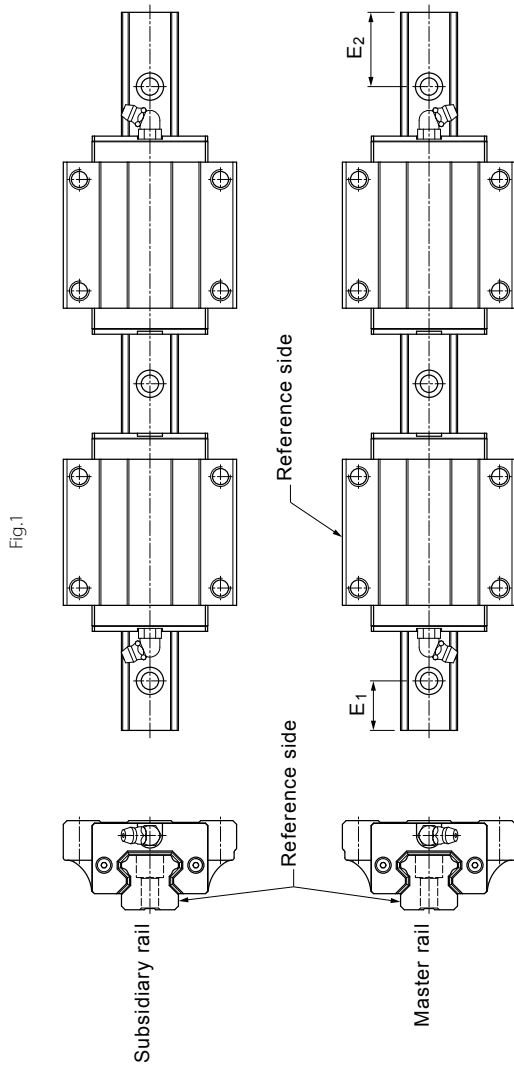


Description of Specification

Non-Interchangeable Type

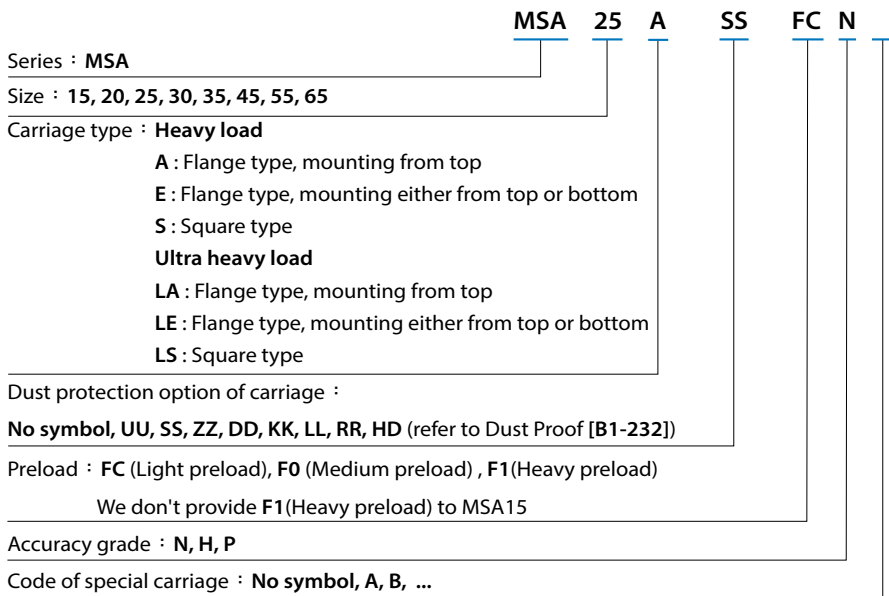
	MSA	25	A	2	SS	F0	
Series : MSA							
Size : 15, 20, 25, 30, 35, 45, 55, 65							
Carriage type : Heavy load							
A : Flange type, mounting from top							
E : Flange type, mounting either from top or bottom							
S : Square type							
Ultra heavy load							
LA : Flange type, mounting from top							
LE : Flange type, mounting either from top or bottom							
LS : Square type							
Number of carriages per rail : 1, 2, 3 ...							
Dust protection option of carriage :							
No symbol, UU, SS, ZZ, DD, KK, LL, RR, HD (refer to Dust Proof [B1-232])							
Preload : FC (Light preload) , F0 (Medium preload) , F1 (Heavy preload)							
Code of special carriage : No symbol, A, B ...							
Rail type : R (Counter-bore type), T (Tapped hole type)							
Rail length (mm)							
Rail hole pitch from start side (E1 , see Fig.1)							
Rail hole pitch to the end side (E2 , see Fig.1)							
Accuracy grade : N, H, P, SP, UP							
Code of special rail : No symbol, A, B ...							
Dust protection option of rail : No symbol, /CC, /MC, /MD							
(refer to Code of Contamination for Rail [B1-223])							
Number of rails per axis : No symbol, II, III, IV ...							



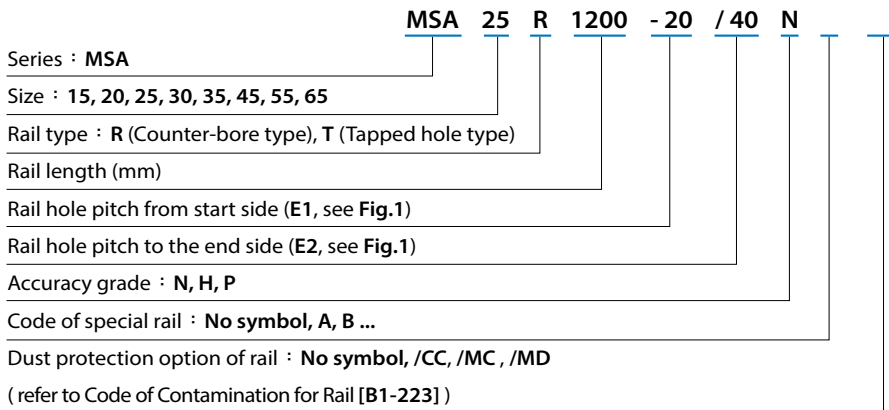


Interchangeable Type

Code of Carriage



Code of Rail



Accuracy Grade

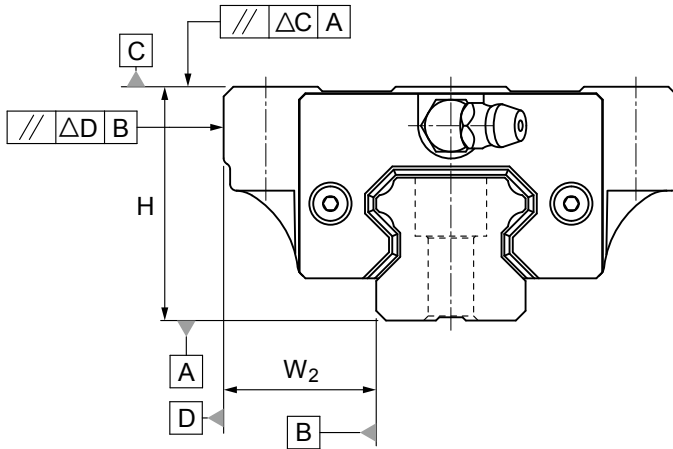


Table 1 Running Parallelism

Rail length (mm)		Running Parallelism Values(μm)				
Above	Or less (incl.)	N	H	P	SP	UP
0	315	9	6	3	2	1.5
315	400	11	8	4	2	1.5
400	500	13	9	5	2	1.5
500	630	16	11	6	2.5	1.5
630	800	18	12	7	3	2
800	1000	20	14	8	4	2
1000	1250	22	16	10	5	2.5
1250	1600	25	18	11	6	3
1600	2000	28	20	13	7	3.5
2000	2500	30	22	15	8	4
2500	3000	32	24	16	9	4.5
3000	3500	33	25	17	11	5
3500	4000	34	26	18	12	6

Non-Interchangeable Type

Model No.	Item	Accuracy Grade				
		Normal N	High H	Precision P	Super Precision SP	Ultra Precision UP
15 20	Tolerance for height H	±0.1	±0.03	0 -0.03	0 -0.015	0 -0.008
	Height difference ΔH	0.02	0.01	0.006	0.004	0.003
	Tolerance for distance W ₂	±0.1	±0.03	0 -0.03	0 -0.015	0 -0.008
	Difference in distance W ₂ (ΔW ₂)	0.02	0.01	0.006	0.004	0.003
	Running parallelism of surface C with surface A	ΔC (see the Table 1)				
	Running parallelism of surface D with surface B	ΔD (see the Table 1)				
25 30 35	Tolerance for height H	±0.1	±0.04	0 -0.04	0 -0.02	0 -0.01
	Height difference ΔH	0.02	0.015	0.007	0.005	0.003
	Tolerance for distance W ₂	±0.1	±0.04	0 -0.04	0 -0.02	0 -0.01
	Difference in distance W ₂ (ΔW ₂)	0.03	0.015	0.007	0.005	0.003
	Running parallelism of surface C with surface A	ΔC (see the Table 1)				
	Running parallelism of surface D with surface B	ΔD (see the Table 1)				
45 55	Tolerance for height H	±0.1	±0.05	0 -0.05	0 -0.03	0 -0.02
	Height difference ΔH	0.03	0.015	0.007	0.005	0.003
	Tolerance for distance W ₂	±0.1	±0.05	0 -0.05	0 -0.03	0 -0.02
	Difference in distance W ₂ (ΔW ₂)	0.03	0.02	0.01	0.007	0.005
	Running parallelism of surface C with surface A	ΔC (see the Table 1)				
	Running parallelism of surface D with surface B	ΔD (see the Table 1)				
65	Tolerance for height H	±0.1	±0.07	0 -0.07	0 -0.05	0 -0.03
	Height difference ΔH	0.03	0.02	0.01	0.007	0.005
	Tolerance for distance W ₂	±0.1	±0.07	0 -0.07	0 -0.05	0 -0.03
	Difference in distance W ₂ (ΔW ₂)	0.03	0.025	0.015	0.01	0.007
	Running parallelism of surface C with surface A	ΔC (see the Table 1)				
	Running parallelism of surface D with surface B	ΔD (see the Table 1)				

Interchangeable Type

Model No.	Item	Accuracy Grade		
		Normal N	High H	Precision P
15 20	Tolerance for height H	±0.1	±0.03	0 -0.03
	Height difference ΔH	0.02	0.01	0.006
	Tolerance for distance W_2	±0.1	±0.03	0 -0.03
	Difference in distance $W_2(\Delta W_2)$	0.02	0.01	0.006
	Running parallelism of surface C with surface A	ΔC (see the Table 1)		
	Running parallelism of surface D with surface B	ΔD (see the Table 1)		
25 30 35	Tolerance for height H	±0.1	±0.04	0 -0.04
	Height difference ΔH	0.02	0.015	0.007
	Tolerance for distance W_2	±0.1	±0.04	0 -0.04
	Difference in distance $W_2(\Delta W_2)$	0.03	0.015	0.007
	Running parallelism of surface C with surface A	ΔC (see the Table 1)		
	Running parallelism of surface D with surface B	ΔD (see the Table 1)		
45 55	Tolerance for height H	±0.1	±0.05	0 -0.05
	Height difference ΔH	0.03	0.015	0.007
	Tolerance for distance W_2	±0.1	±0.05	0 -0.05
	Difference in distance $W_2(\Delta W_2)$	0.03	0.02	0.01
	Running parallelism of surface C with surface A	ΔC (see the Table 1)		
	Running parallelism of surface D with surface B	ΔD (see the Table 1)		
65	Tolerance for height H	±0.1	±0.07	0 -0.07
	Height difference ΔH	0.03	0.02	0.01
	Tolerance for distance W_2	±0.1	±0.07	0 -0.07
	Difference in distance $W_2(\Delta W_2)$	0.03	0.025	0.015
	Running parallelism of surface C with surface A	ΔC (see the Table 1)		
	Running parallelism of surface D with surface B	ΔD (see the Table 1)		

Note: Definition of interchangeable: It is confined to the carriage on the single rail, not including the exchange of multiple rails and carriages.

Preload Grade

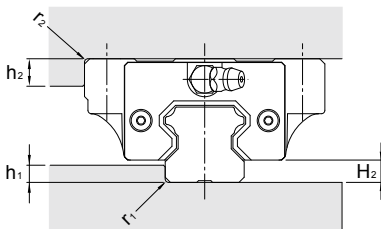
Series	Preload grade		
	Light preload (FC)	Medium preload (F0)	Heavy preload (F1)
MSA15	0~0.02C	0.03~0.05C	-
MSA20			
MSA25			
MSA30			
MSA35			
MSA45			
MSA55			
MSA65	0~0.02C	0.03~0.05C	0.05~0.08C
MSA20L			
MSA25L			
MSA30L			
MSA35L			
MSA45L			
MSA55L			
MSA65L			

Note: C is basic dynamic load rating in above table. Refer to the specification of products, please.

The Shoulder Height and Corner Radius for Installation

MSA series

Unit:mm

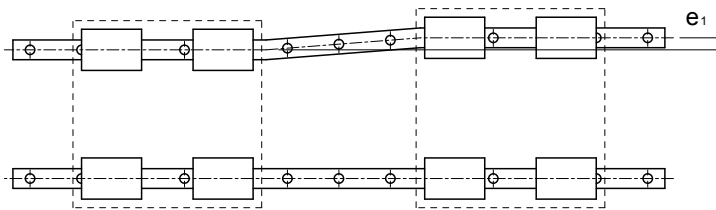


Model No.	r_1 (max.)	r_2 (max.)	h_1	h_2	H_2
15	0.5	0.5	3	4	4.2
20	0.5	0.5	3.5	5	5
25	1	1	5	5	6.5
30	1	1	5	5	8
35	1	1	6	6	9.5
45	1	1	8	8	10
55	1.5	1.5	10	10	13
65	1.5	1.5	10	10	15

Dimensional Tolerance of Mounting Surface

With the self alignment capability, the minor dimensional error in mounting surface could be compensated and achieves smooth linear motion. The tolerances of parallelism between two axes are shown as below.

The parallel deviation between two axes (e_1)



Unit: μm

Model No.	Preload Grade		
	FC	F0	F1
15	25	18	-
20	25	20	18
25	30	22	20
30	40	30	27
35	50	35	30
45	60	40	35
55	70	50	45
65	80	60	55

Level difference between two axes (e_2)

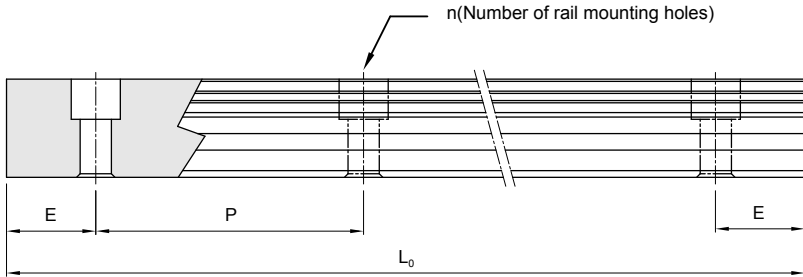


Unit: μm

Model No.	Preload Grade		
	FC	F0	F1
15	130	85	-
20	130	85	50
25	130	85	70
30	170	110	90
35	210	150	120
45	250	170	140
55	300	210	170
65	350	250	200

Note: The permissible values in table are applicable when the span is 500mm wide.

Rail Maximum Length and Standard



$$L_0 = (n-1) \times P + 2 \times E$$

L_0 : Total Length of rail (mm)

n : Number of mounting holes

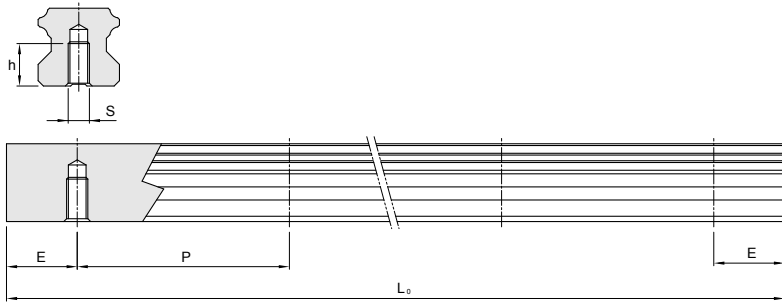
P : Distance between any two holes (mm)

E : Distance from the center of the last hole to the edge (mm)

Unit: mm

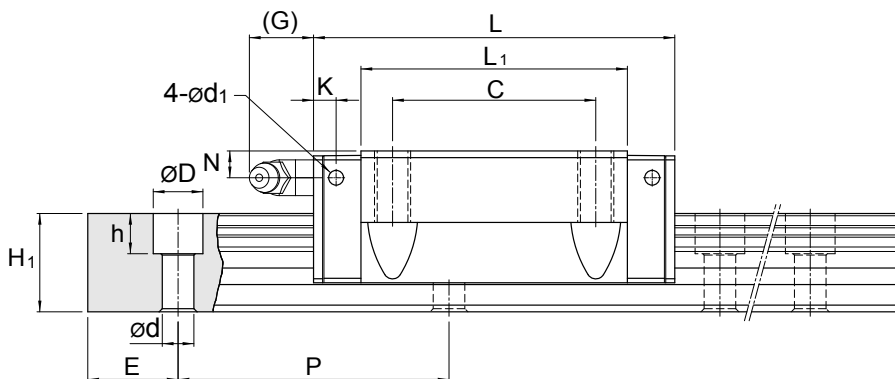
Model No.	Standard Pitch (P)	Standard ($E_{std.}$)	Minimum ($E_{min.}$)	Max (L_0 max.)
MSA 15	60	20	5	4000
MSA 20	60	20	6	4000
MSA 25	60	20	7	4000
MSA 30	80	20	8	4000
MSA 35	80	20	8	4000
MSA 45	105	22.5	11	4000
MSA 55	120	30	13	4000
MSA 65	150	35	14	4000

Tapped Hole Rail Dimensions



Rail Model	S	h(mm)
MSA 15 T	M5	8
MSA 20 T	M6	10
MSA 25 T	M6	12
MSA 30 T	M8	15
MSA 35 T	M8	17
MSA 45 T	M12	24
MSA 55 T	M14	24
MSA 65 T	M20	30

Dimensions of MSA-A / MSA-LA



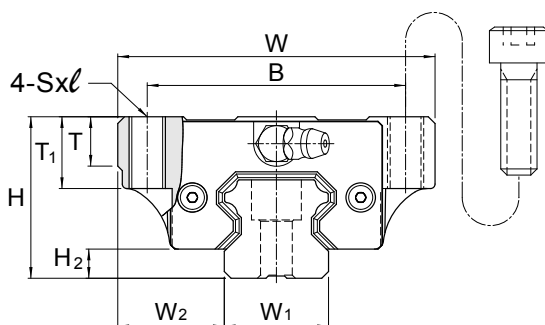
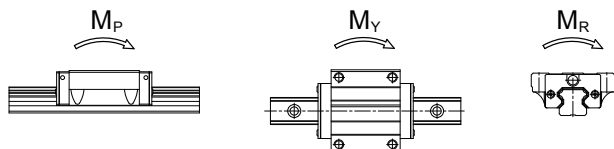
Unit: mm

Model No.	External dimension					Carriage dimension											Grease Nipple
	Height H	Width W	Length L	W_2	H_2	B	C	$S \times \ell$	L_1	T	T_1	N	G	K	d_1		
MSA 15 A	24	47	56.3	16	4.2	38	30	M5×11	39.3	7	11	4.3	7	3.2	3.3	G-M4	
MSA 20 A MSA 20 LA	30	63	72.9 88.8	21.5	5	53	40	M6×10	51.3 67.2	7	10	5	12	5.8	3.3	G-M6	
MSA 25 A MSA 25 LA	36	70	81.6 100.6	23.5	6.5	57	45	M8×16	59 78	11	16	6	12	5.8	3.3	G-M6	
MSA 30 A MSA 30 LA	42	90	97 119.2	31	8	72	52	M10×18	71.4 93.6	11	18	7	12	6.8	3.3	G-M6	
MSA 35 A MSA 35 LA	48	100	111.2 136.6	33	9.5	82	62	M10×21	81 106.4	13	21	8	11.5	8.6	3.3	G-M6	
MSA 45 A MSA 45 LA	60	120	137.7 169.5	37.5	10	100	80	M12×25	102.5 134.3	13	25	10	13.5	10.6	3.3	G-PT1/8	

Note: Request for size 55 and 65 MSA-A / MSA-LA carriage, please refer to MSA-E / MSA-LE carriage type.

Note: The basic dynamic load rating C of ball type is based on the 50 km for nominal life. The conversion between C for 50 km and C_{100} for 100 km is $C=1.26 \times C_{100}$.

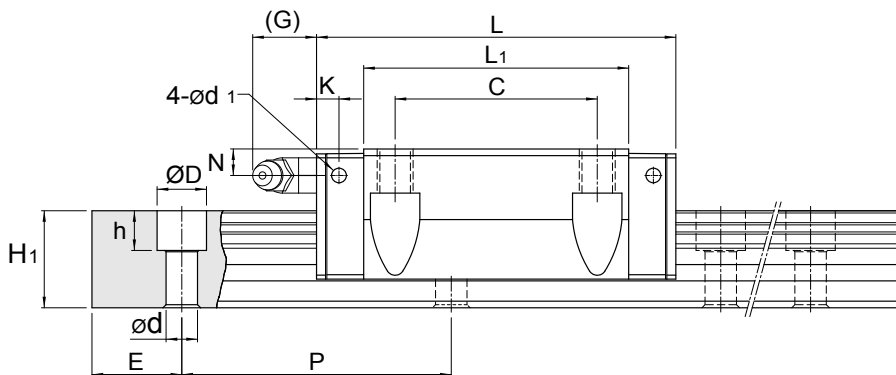
Note*: Single: Single carriage/ Double: Double carriages closely contacting with each other.



Unit: mm

Model No.	Rail dimension					Basic load rating		Static moment rating					Weight	
	Width W_1	Height H_1	Pitch P	E std.	$D \times h \times d$	Dynamic C kN	Static C_0 kN	M_P kN-m		M_Y kN-m		M_R kN-m	Carriage kg	Rail kg/m
								Single*	Double*	Single*	Double*			
MSA 15 A	15	15	60	20	7.5×5.3×4.5	11.8	18.9	0.12	0.68	0.12	0.68	0.14	0.18	1.5
MSA 20 A	20	18	60	20	9.5×8.5×6	19.2	29.5	0.23	1.42	0.23	1.42	0.29	0.4	2.4
MSA 20 LA						23.3	39.3	0.39	2.23	0.39	2.23	0.38	0.52	
MSA 25 A	23	22	60	20	11×9×7	28.1	42.4	0.39	2.20	0.39	2.20	0.48	0.62	3.4
MSA 25 LA						34.4	56.6	0.67	3.52	0.67	3.52	0.63	0.82	
MSA 30 A	28	26	80	20	14×12×9	39.2	57.8	0.62	3.67	0.62	3.67	0.79	1.09	4.8
MSA 30 LA						47.9	77.0	1.07	5.81	1.07	5.81	1.05	1.43	
MSA 35 A	34	29	80	20	14×12×9	52.0	75.5	0.93	5.47	0.93	5.47	1.25	1.61	6.6
MSA 35 LA						63.6	100.6	1.60	8.67	1.60	8.67	1.67	2.11	
MSA 45 A	45	38	105	22.5	20×17×14	83.8	117.9	1.81	10.67	1.81	10.67	2.57	2.98	11.5
MSA 45 LA						102.4	157.3	3.13	16.95	3.13	16.95	3.43	3.9	

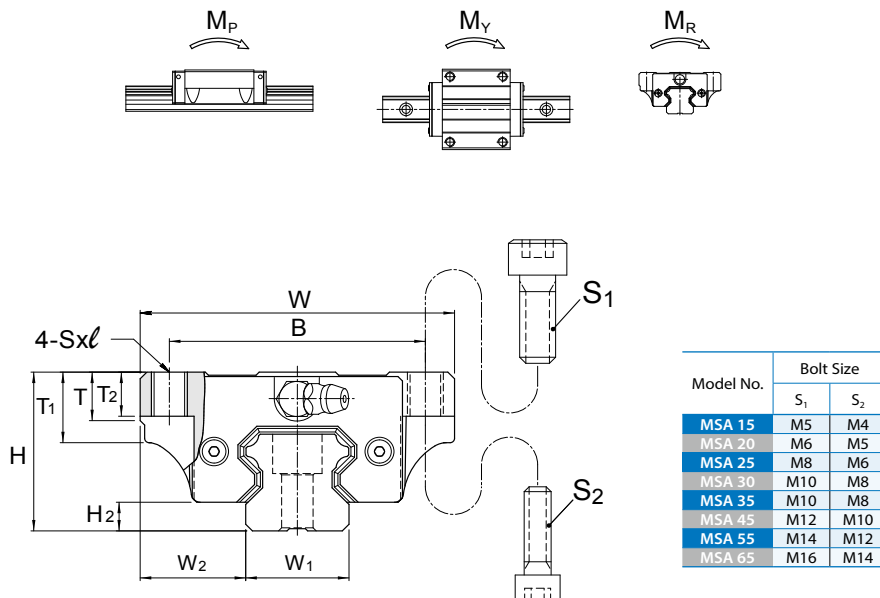
Dimensions of MSA-E / MSA-LE

Unit: *mm*

Model No.	External dimension					Carriage dimension												
	Height H	Width W	Length L	W_2	H_2	B	C	$S \times l$	L_1	T	T_1	T_2	N	G	K	d_1	Grease Nipple	
MSA 15 E	24	47	56.3	16	4.2	38	30	M5×7	39.3	7	11	7	4.3	7	3.2	3.3	G-M4	
MSA 20 E MSA 20 LE	30	63	72.9 88.8	21.5	5	53	40	M6×10	51.3 67.2	7	10	10	5	12	5.8	3.3	G-M6	
MSA 25 E MSA 25 LE	36	70	81.6 100.6	23.5	6.5	57	45	M8×10	59 78	11	16	10	6	12	5.8	3.3	G-M6	
MSA 30 E MSA 30 LE	42	90	97 119.2	31	8	72	52	M10×10	71.4 93.6	11	18	10	7	12	6.8	3.3	G-M6	
MSA 35 E MSA 35 LE	48	100	111.2 136.6	33	9.5	82	62	M10×13	81 106.4	13	21	13	8	11.5	8.6	3.3	G-M6	
MSA 45 E MSA 45 LE	60	120	137.7 169.5	37.5	10	100	80	M12×15	102.5 134.3	13	25	15	10	13.5	10.6	3.3	G-PT 1/8	
MSA 55 E MSA 55 LE	70	140	161.5 199.5	43.5	13	116	95	M14×17	119.5 157.5	19	32	17	11	13.5	8.9	3.3	G-PT 1/8	
MSA 65 E MSA 65 LE	90	170	199 253	53.5	15	142	110	M16×23	149 203	21.5	37.5	23	19	13.5	8.9	3.3	G-PT 1/8	

Note: The basic dynamic load rating C of ball type is based on the 50 km for nominal life. The conversion between C for 50 km and C_{100} for 100 km is $C=1.26 \times C_{100}$.

Note*: Single: Single carriage/ Double: Double carriages closely contacting with each other.

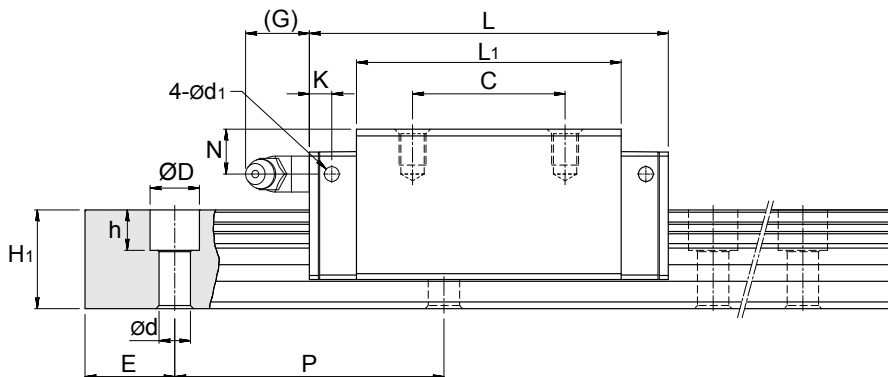


Model No.	Bolt Size	
	S_1	S_2
MSA 15	M5	M4
MSA 20	M6	M5
MSA 25	M8	M6
MSA 30	M10	M8
MSA 35	M10	M8
MSA 45	M12	M10
MSA 55	M14	M12
MSA 65	M16	M14

Unit: mm

Model No.	Rail dimension					Basic load rating		Static moment rating					Weight	
	Width W_1	Height H_1	Pitch P	E std.	$D \times h \times d$	Dynamic C kN	Static C_0 kN	M_b		M_y		M_R kN-m	Carriage kg	Rail kg/m
								Single*	Double*	Single*	Double*			
MSA 15 E	15	15	60	20	7.5×5.3×4.5	11.8	18.9	0.12	0.68	0.12	0.68	0.14	0.18	1.5
MSA 20 E	20	18	60	20	9.5×8.5×6	19.2	29.5	0.23	1.42	0.23	1.42	0.29	0.4	2.4
MSA 20 LE						23.3	39.3	0.39	2.23	0.39	2.23	0.38	0.52	
MSA 25 E	23	22	60	20	11×9×7	28.1	42.4	0.39	2.20	0.39	2.20	0.48	0.62	3.4
MSA 25 LE						34.4	56.6	0.67	3.52	0.67	3.52	0.63	0.82	
MSA 30 E	28	26	80	20	14×12×9	39.2	57.8	0.62	3.67	0.62	3.67	0.79	1.09	4.8
MSA 30 LE						47.9	77.0	1.07	5.81	1.07	5.81	1.05	1.43	
MSA 35 E	34	29	80	20	14×12×9	52.0	75.5	0.93	5.47	0.93	5.47	1.25	1.61	6.6
MSA 35 LE						63.6	100.6	1.60	8.67	1.60	8.67	1.67	2.11	
MSA 45 E	45	38	105	22.5	20×17×14	83.8	117.9	1.81	10.67	1.81	10.67	2.57	2.98	11.5
MSA 45 LE						102.4	157.3	3.13	16.95	3.13	16.95	3.43	3.9	
MSA 55 E	53	44	120	30	23×20×16	123.6	169.8	3.13	17.57	3.13	17.57	4.50	4.17	15.5
MSA 55 LE						151.1	226.4	5.40	28.11	5.40	28.11	6.00	5.49	
MSA 65 E	63	53	150	35	26×22×18	198.8	265.3	6.11	33.71	6.11	33.71	8.36	8.73	21.9
MSA 65 LE						253.5	375.9	11.84	57.32	11.84	57.32	11.84	11.89	

Dimensions of MSA-S / MSA-LS

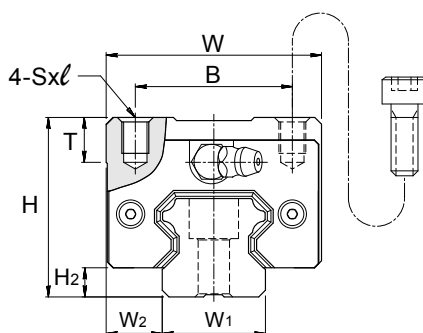
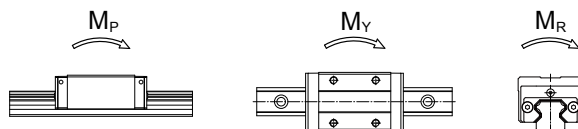


Unit: mm

Model No.	External dimension					Carriage dimension										
	Height H	Width W	Length L	W_2	H_2	B	C	$S \times l$	L_1	T	N	G	K	d_1	Grease Nipple	
MSA 15 S	28	34	56.3	9.5	4.2	26	26	M4×5	39.3	7.2	8.3	7	3.2	3.3	G-M4	
MSA 20 S	30	44	72.9	12	5	32	36	M5×6	51.3	8	5	12	5.8	3.3	G-M6	
MSA 20 LS			88.8													
MSA 25 S	40	48	81.6	12.5	6.5	35	35	M6×8	59	10	10	12	5.8	3.3	G-M6	
MSA 25 LS			100.6													
MSA 30 S	45	60	97	16	8	40	40	M8×10	71.4	11.7	10	12	6.8	3.3	G-M6	
MSA 30 LS			119.2													
MSA 35 S	55	70	111.2	18	9.5	50	50	M8×12	81	12.7	15	11.5	8.6	3.3	G-M6	
MSA 35 LS			136.6													
MSA 45 S	70	86	137.7	20.5	10	60	60	M10×17	102.5	16	20	13.5	10.6	3.3	G-PT 1/8	
MSA 45 LS			169.5													
MSA 55 S	80	100	161.5	23.5	13	75	75	M12×18	119.5	18	21	13.5	8.9	3.3	G-PT 1/8	
MSA 55 LS			199.5													
MSA 65 S	90	126	199	31.5	15	76	70	M16×20	149	23	19	13.5	8.9	3.3	G-PT 1/8	
MSA 65 LS			253													

Note: The basic dynamic load rating C of ball type is based on the 50 km for nominal life. The conversion between C for 50 km and C_{100} for 100 km is $C=1.26 \times C_{100}$.

Note*: Single: Single carriage/ Double: Double carriages closely contacting with each other.

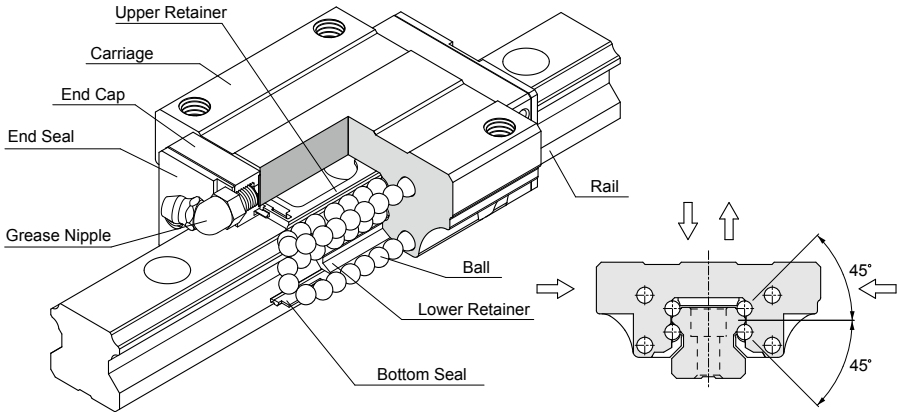


Unit: mm

Model No.	Rail dimension					Basic load rating		Static moment rating				Weight		
	Width W_1	Height H_1	Pitch P	E std.	$D \times h \times d$	Dynamic C kN	Static C_0 kN	M_p		M_y		M_r kN-m	Carriage kg	Rail kg/m
								Single ^a	Double ^a	Single ^a	Double ^a			
MSA 15 S	15	15	60	20	7.5×5.3×4.5	11.8	18.9	0.12	0.68	0.12	0.68	0.14	0.18	1.5
MSA 20 S	20	18	60	20	9.5×8.5×6	19.2	29.5	0.23	1.42	0.23	1.42	0.29	0.3	2.4
MSA 20 LS						23.3	39.3	0.39	2.23	0.39	2.23	0.38	0.39	
MSA 25 S	23	22	60	20	11×9×7	28.1	42.4	0.39	2.20	0.39	2.20	0.48	0.52	3.4
MSA 25 LS						34.4	56.6	0.67	3.52	0.67	3.52	0.63	0.68	
MSA 30 S	28	26	80	20	14×12×9	39.2	57.8	0.62	3.67	0.62	3.67	0.79	0.86	4.8
MSA 30 LS						47.9	77.0	1.07	5.81	1.07	5.81	1.05	1.12	
MSA 35 S	34	29	80	20	14×12×9	52.0	75.5	0.93	5.47	0.93	5.47	1.25	1.45	6.6
MSA 35 LS						63.6	100.6	1.60	8.67	1.60	8.67	1.67	1.9	
MSA 45 S	45	38	105	22.5	20×17×14	83.8	117.9	1.81	10.67	1.81	10.67	2.57	2.83	11.5
MSA 45 LS						102.4	157.3	3.13	16.95	3.13	16.95	3.43	3.7	
MSA 55 S	53	44	120	30	23×20×16	123.6	169.8	3.13	17.57	3.13	17.57	4.50	4.12	15.5
MSA 55 LS						151.1	226.4	5.40	28.11	5.40	28.11	6.00	4.91	
MSA 65 S	63	53	150	35	26×22×18	198.8	265.3	6.11	33.71	6.11	33.71	8.36	6.43	21.9
MSA 65 LS						253.5	375.9	11.84	57.32	11.84	57.32	11.84	8.76	

Compact Type, MSB Series

Construction



Characteristics

The trains of balls are designed to a contact angle of 45° which enables it to bear an equal load in radial, reversed radial and lateral directions. Therefore, it can be applied in any installation direction. Furthermore, MSB series can achieve a well balanced preload for increasing rigidity in four directions while keeping a low frictional resistance. This is especially suit to high precision and high rigidity required motion.

The patent design of lubrication route makes the lubricant evenly distribute in each circulation loop. Therefore, the optimum lubrication can be achieved in any installation direction, and this promotes the performance in running accuracy, service life, and reliability.

Compact, Four-way Equal Load

Compact design of the carriage with the four trains of balls are allocated to a circular contact angle at 45°, thus each train of balls can take up an equal rated load in all four directions. Moreover, a sufficient preload can be achieved to increase rigidity, and this makes it suitable for any kind of installation.

Smooth Movement with Low Noise

The simplified design of circulating system with strengthened synthetic resin accessories makes the movement smooth and quiet.

Self Alignment Capability

The self adjustment is performed spontaneously as the design of face-to-face (DF) circular arc groove. Therefore, the installation error could be compensated even under a preload, and which results in precise and smooth linear motion.

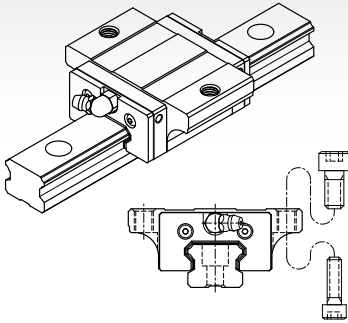
Interchangeability

For interchangeable type of linear guideway, the dimensional tolerances are strictly maintained within a reasonable range, and this has made the random matching of the same size of rails and carriages possible. Therefore, the similar preload and accuracy can be obtained even under the random matching condition. As a result of this advantage, the linear guideway can be stocked as standard parts, the installation and maintenance become more convenient. Moreover, this is also beneficial for shortening the delivery time.

Carriage Type

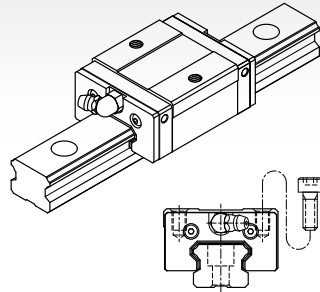
Medium Load

MSB-TE Type



This type offers the installation either from top or bottom side of carriage.

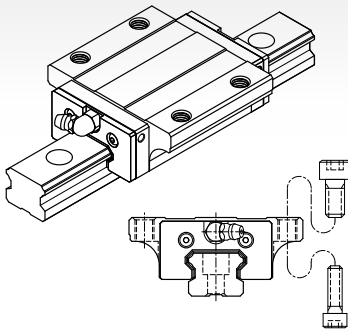
MSB-TS Type



Square type with smaller width and can be installed from top side of carriage.

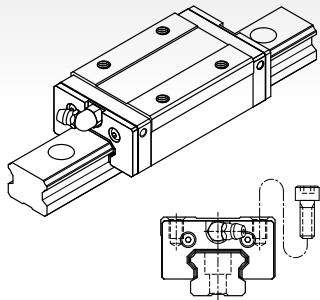
Heavy Load

MSB-E Type



All dimensions are same as MSB-TE except the length is longer, which makes it more rigid.

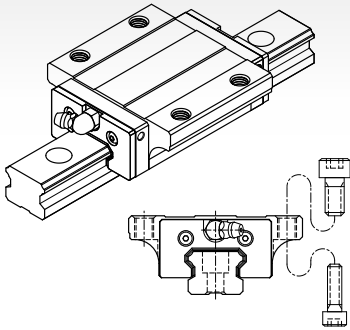
MSB-S Type



All dimensions are same as MSB-TS except the length is longer, which makes it more rigid.

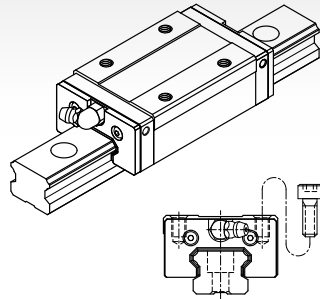
Ultra Heavy Load

MSB-LE Type



All dimensions are same as MSB-E except the length is longer, which makes it more rigid.

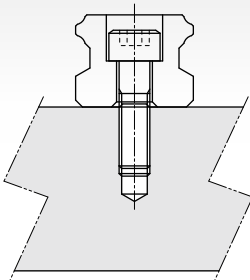
MSB-LS Type



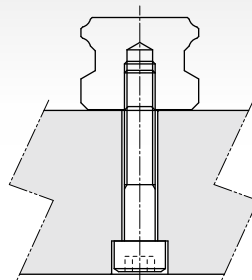
All dimensions are same as MSB-S except the length is longer, which makes it more rigid.

Rail Type

Counter Bore (R, U type)



Tapped Hole (T type)



Description of Specification

Non-Interchangeable Type

	MSB	25	E	2	SS	F0	
Series : MSB							
Size : 15, 20, 25, 30, 35							
Carriage type : Medium load							
TE : Flange type, mounting either from top or bottom							
TS : Square type							
Heavy load							
E : Flange type, mounting either from top or bottom							
S : Square type							
Ultra heavy load							
LE : Flange type, mounting either from top or bottom							
LS : Square type							
Number of carriages per rail : 1, 2, 3 ...							
Dust protection option of carriage :							
No symbol, UU, SS, ZZ, DD, KK, LL, RR, HD (refer to Dust Proof [B1-232])							
Preload : FC (Light preload) , F0 (Medium preload) , F1 (Heavy preload)							
Code of special carriage : No symbol, A, B, ...							
Rail type : R, U* (Counter-bore type), T (Tapped hole type)							
Rail length (mm)							
Rail hole pitch from start side (E1 , see Fig.2)							
Rail hole pitch to the end side (E2 , see Fig.2)							
Accuracy grade : N, H, P, SP, UP							
Code of special rail : No symbol, A, B ...							
Dust protection option of rail : No symbol, /CC, /MC, /MD (refer to Code of Contamination for Rail [B1-233])							
Number of rails per axis : No symbol, II, III, IV ...							

Note* : U type rail is only applicable for MSB15 with M4 mounting hole.

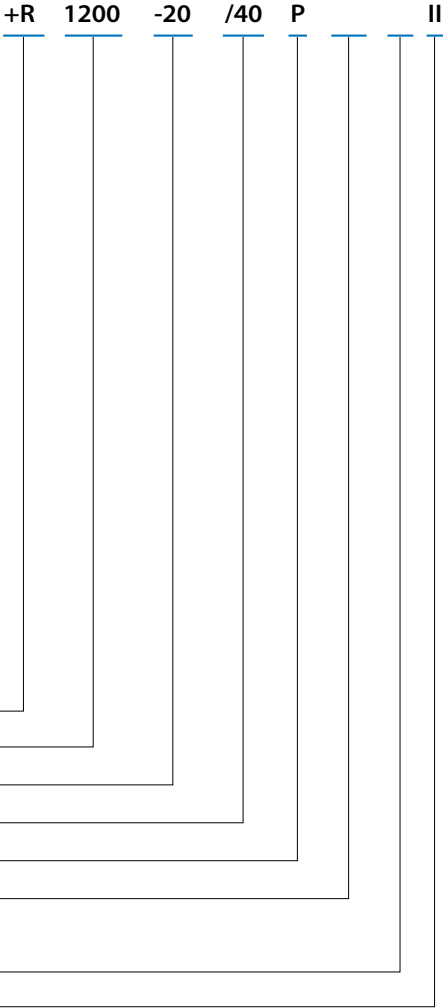
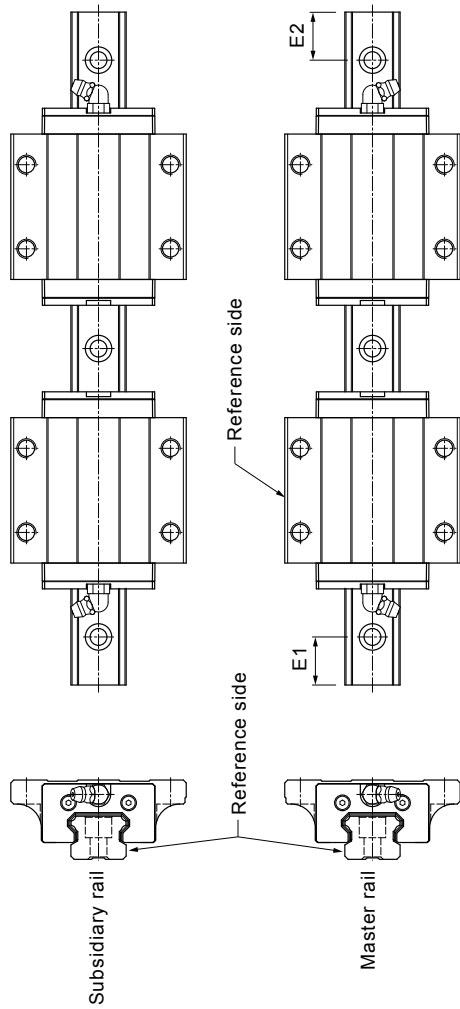
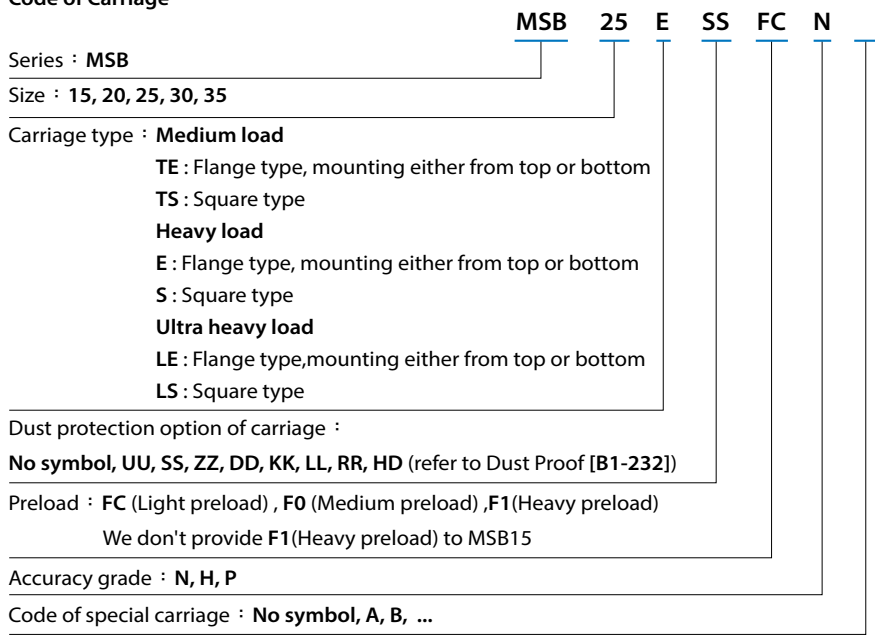


Fig.2

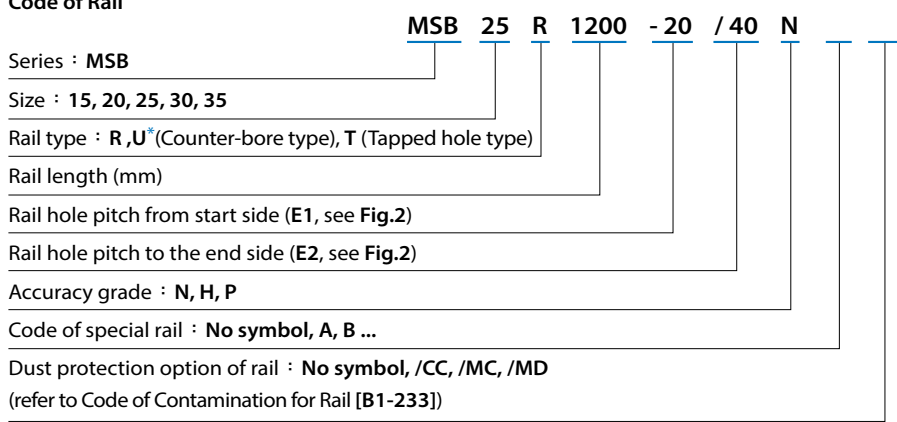


Interchangeable Type

Code of Carriage



Code of Rail



Note*: U type rail is only applicable for MSB15 with M4 mounting hole.

Accuracy Grade

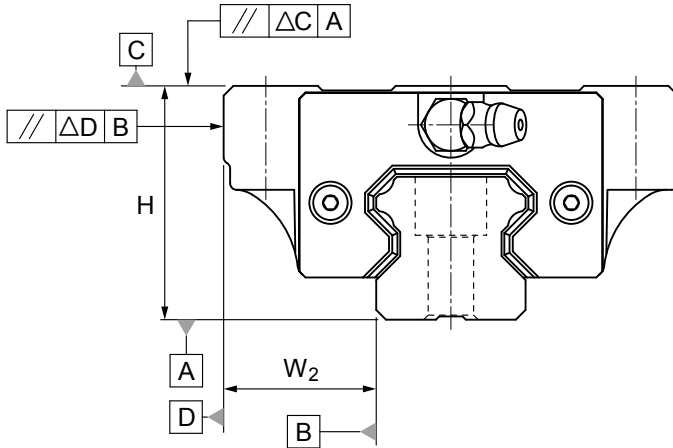


Table 2 Running Parallelism

Rail length (mm)		Running Parallelism Values(μm)				
Above	Or less (incl.)	N	H	P	SP	UP
0	315	9	6	3	2	1.5
315	400	11	8	4	2	1.5
400	500	13	9	5	2	1.5
500	630	16	11	6	2.5	1.5
630	800	18	12	7	3	2
800	1000	20	14	8	4	2
1000	1250	22	16	10	5	2.5
1250	1600	25	18	11	6	3
1600	2000	28	20	13	7	3.5
2000	2500	30	22	15	8	4
2500	3000	32	24	16	9	4.5
3000	3500	33	25	17	11	5
3500	4000	34	26	18	12	6

Non-Interchangeable Type

Model No.	Item	Accuracy Grade				
		Normal N	High H	Precision P	Super Precision SP	Ultra Precision UP
15 20	Tolerance for height H	±0.1	±0.03	0 -0.03	0 -0.015	0 -0.008
	Height difference ΔH	0.02	0.01	0.006	0.004	0.003
	Tolerance for distance W ₂	±0.1	±0.03	0 -0.03	0 -0.015	0 -0.008
	Difference in distance W ₂ (ΔW ₂)	0.02	0.01	0.006	0.004	0.003
	Running parallelism of surface C with surface A	ΔC (see the Table 2)				
	Running parallelism of surface D with surface B	ΔD (see the Table 2)				
25 30 35	Tolerance for height H	±0.1	±0.04	0 -0.04	0 -0.02	0 -0.01
	Height difference ΔH	0.02	0.015	0.007	0.005	0.003
	Tolerance for distance W ₂	±0.1	±0.04	0 -0.04	0 -0.02	0 -0.01
	Difference in distance W ₂ (ΔW ₂)	0.03	0.015	0.007	0.005	0.003
	Running parallelism of surface C with surface A	ΔC (see the Table 2)				
	Running parallelism of surface D with surface B	ΔD (see the Table 2)				

Interchangeable Type

Model No.	Item	Accuracy Grade		
		Normal N	High H	Precision P
15 20	Tolerance for height H	± 0.1	± 0.03	$\begin{matrix} 0 \\ -0.03 \end{matrix}$
	Height difference ΔH	0.02	0.01	0.006
	Tolerance for distance W_2	± 0.1	± 0.03	$\begin{matrix} 0 \\ -0.03 \end{matrix}$
	Difference in distance $W_2(\Delta W_2)$	0.02	0.01	0.006
	Running parallelism of surface C with surface A	ΔC (see the Table 2)		
	Running parallelism of surface D with surface B	ΔD (see the Table 2)		
25 30 35	Tolerance for height H	± 0.1	± 0.04	$\begin{matrix} 0 \\ -0.04 \end{matrix}$
	Height difference ΔH	0.02	0.015	0.007
	Tolerance for distance W_2	± 0.1	± 0.04	$\begin{matrix} 0 \\ -0.04 \end{matrix}$
	Difference in distance $W_2(\Delta W_2)$	0.03	0.015	0.007
	Running parallelism of surface C with surface A	ΔC (see the Table 2)		
	Running parallelism of surface D with surface B	ΔD (see the Table 2)		

Note: Definition of interchangeable: It is confined to the carriage on the single rail, not including the exchange of multiple rails and carriages.

Preload Grade

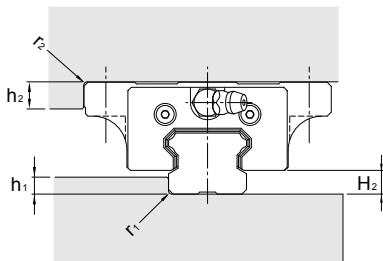
Series	Preload grade		
	Light preload (FC)	Medium preload (F0)	Heavy preload (F1)
MSB15T	0~0.02C	0.03~0.05C	-
MSB20T			
MSB25T			
MSB30T			0.05~0.08C
MSB15	0~0.02C	0.03~0.05C	0.05~0.08C
MSB20			
MSB25			
MSB30			
MSB35			
MSB35L			

Note: C is basic dynamic load rating in above table. Refer to the specification of products, please.

The Shoulder Height and Corner Radius for Installation

MSB series

Unit: mm

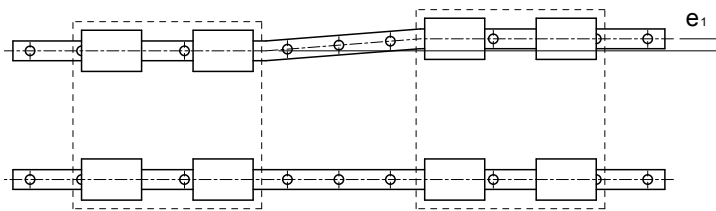


Model No.	r_1 (max.)	r_2 (max.)	h_1	h_2	H_2
15	0.5	0.5	3	4	4.5
20	0.5	0.5	4	5	6
25	1	1	5	5	7
30	1	1	7	5	9.5
35	1	1	8	6	9.5

Dimensional Tolerance of Mounting Surface

With the self alignment capability, the minor dimensional error in mounting surface could be compensated and achieves smooth linear motion. The tolerances of parallelism between two axes are shown as below.

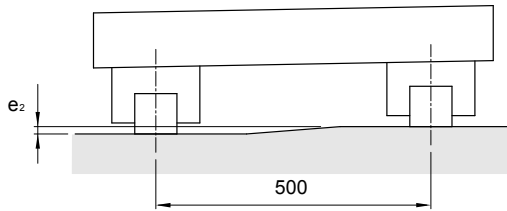
The parallel deviation between two axes (e_1)



Unit: μm

Model No.	Preload Grade		
	FC	F0	F1
15	25	18	-
20	25	20	18
25	30	22	20
30	40	30	27
35	50	35	30

Level difference between two axes (e_2)

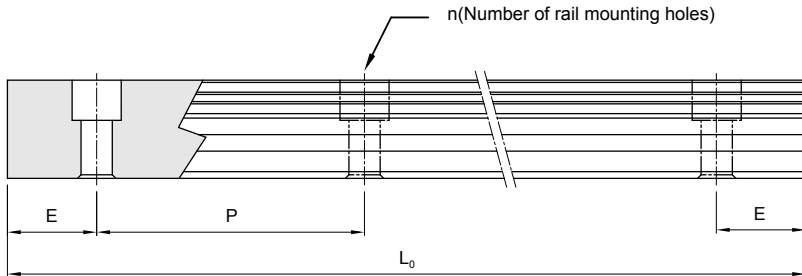


Unit: μm

Model No.	Preload Grade		
	FC	F0	F1
15	130	85	-
20	130	85	50
25	130	85	70
30	170	110	90
35	210	150	120

Note: The permissible values in table are applicable when the span is 500mm wide.

Rail Maximum Length and Standard



$$L_0 = (n-1) \times P + 2 \times E$$

L_0 : Total Length of rail (mm)

n : Number of mounting holes

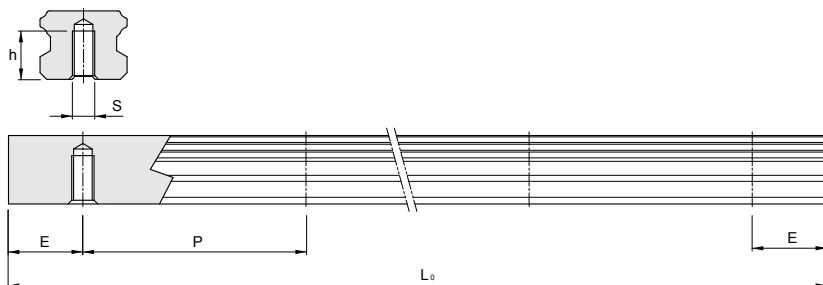
P : Distance between any two holes (mm)

E : Distance from the center of the last hole to the edge (mm)

Unit: mm

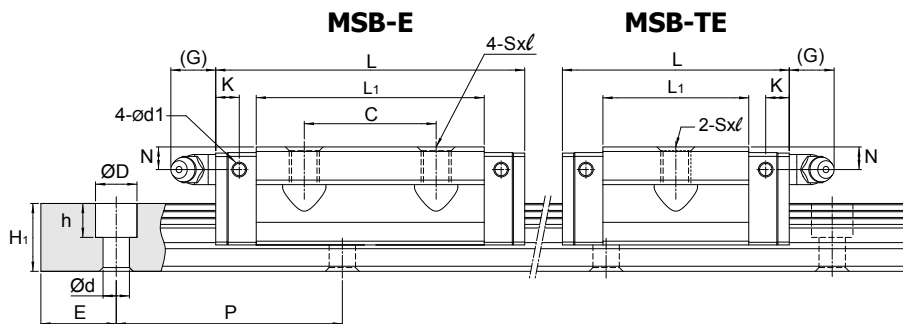
Model No.	Standard Pitch (P)	Standard ($E_{std.}$)	Minimum ($E_{min.}$)	Max (L_0 max.)
MSB 15	60	20	5	4000
MSB 20	60	20	6	4000
MSB 25	60	20	7	4000
MSB 30	80	20	7	4000
MSB 35	80	20	8	4000

Tapped Hole Rail Dimensions



Rail Model	S	h(mm)
MSB 15 T	M5	7
MSB 20 T	M6	9
MSB 25 T	M6	10
MSB 30 T	M8	14
MSB 35 T	M8	16

Dimensions of MSB-TE / MSB-E



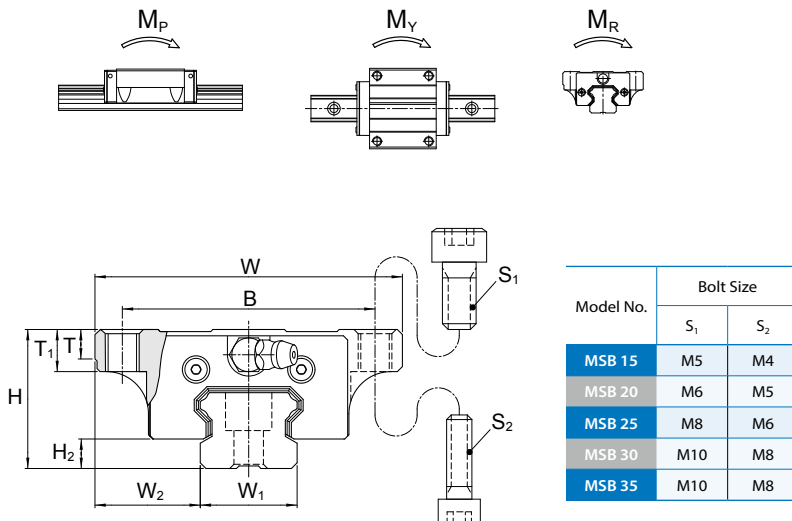
Unit: mm

Model No.	External dimension					Carriage dimension										
	Height H	Width W	Length L	W ₂	H ₂	B	C	S × ℓ	L ₁	T	T ₁	N	G	K	d _i	Grease Nipple
MSB 15 TE MSB 15 E	24	52	40.2 57.2	18.5	4.5	41	- 26	M5×7	23.5 40.5	5	7	5.5	5.5	5.1	3.3	G-M4
MSB 20 TE MSB 20 E	28	59	48 67	19.5	6	49	- 32	M6×9	29 48	5	9	5.5	12	5.9	3.3	G-M6
MSB 25 TE MSB 25 E	33	73	60.2 82	25	7	60	- 35	M8×10	38.7 60.5	7	10	6	12	6.2	3.3	G-M6
MSB 30 TE MSB 30 E	42	90	68 96.7	31	9.5	72	- 40	M10×10	43.3 72	7	10	8	12	6.3	3.3	G-M6
MSB 35 TE MSB 35 E MSB 35 LE	48	100	78 112 137.5	33	9.5	82	- 50 62	M10×13	46 80 105.5	9	13	8.5	12	9.8	3.3	G-M6

Note: Rail mounting holes for M3 (6x4.5x3.5) and M4 (7.5x5.3x4.5) are available for MSB15 rail. The codes of rail type are MSB15R for M3 mounting holes, and MSB15U for M4 mounting holes.

Note: The basic dynamic load rating C of ball type is based on the 50 km for nominal life. The conversion between C for 50 km and C₁₀₀ for 100 km is C=1.26 × C₁₀₀.

Note*: Single: Single carriage/ Double: Double carriages closely contacting with each other.

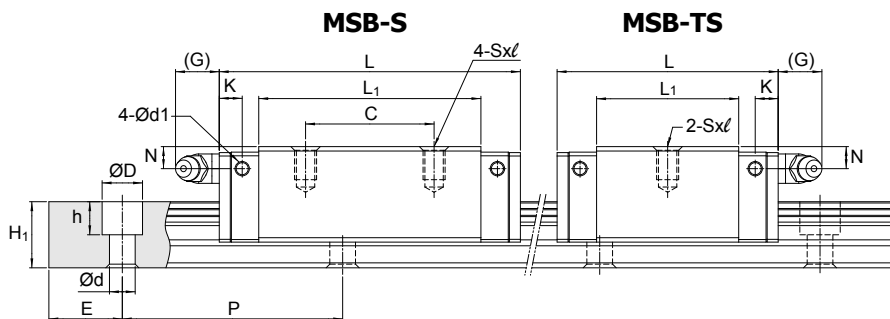


Model No.	Bolt Size	
	S ₁	S ₂
MSB 15	M5	M4
MSB 20	M6	M5
MSB 25	M8	M6
MSB 30	M10	M8
MSB 35	M10	M8

Unit: mm

Model No.	Rail dimension					Basic load rating		Static moment rating					Weight	
	Width W ₁	Height H ₁	Pitch P	E std.	D × h × d	Dynamic C kN	Static C ₀ kN	M _p kN-m		M _y kN-m		M _r kN-m	Carriage kg	Rail kg/m
								Single*	Double*	Single*	Double*			
MSB 15 TE MSB 15 E	15	12.5	60	20	6×4.5×3.5 (7.5×5.3×4.5)	6.7 10.0	9.6 16.9	0.04 0.10	0.26 0.61	0.04 0.10	0.26 0.61	0.07 0.13	0.12 0.21	1.2
MSB 20 TE MSB 20 E	20	15	60	20	9.5×8.5×6	9.7 13.9	14.2 23.6	0.07 0.18	0.44 0.97	0.07 0.18	0.44 0.97	0.14 0.24	0.20 0.34	2
MSB 25 TE MSB 25 E	23	18	60	20	11×9×7	15.6 22.3	22.1 36.9	0.13 0.35	0.91 1.87	0.13 0.35	0.91 1.87	0.26 0.43	0.39 0.60	3
MSB 30 TE MSB 30 E	28	23	80	20	11×9×7	23.1 32.9	31.8 53.1	0.23 0.60	1.39 3.15	0.23 0.60	1.39 3.15	0.45 0.74	0.65 1.08	4.4
MSB 35 TE MSB 35 E MSB 35 LE	34	27.5	80	20	14×12×9	35.7 52.0 63.6	44.0 75.5 100.6	0.34 0.93 1.60	2.81 5.47 8.67	0.34 0.93 1.60	2.81 5.47 8.67	0.75 1.28 1.67	0.91 1.61 1.80	6.2

Dimensions of MSB-TS / MSB-S



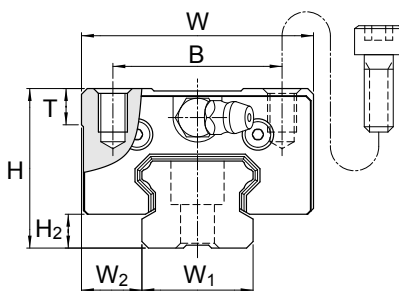
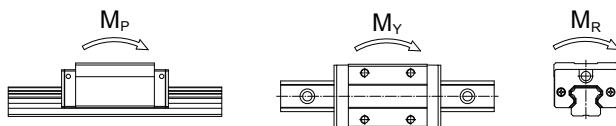
Unit: mm

Model No.	External dimension					Carriage dimension									
	Height H	Width W	Length L	W ₂	H ₂	B	C	S × ℓ	L ₁	T	N	G	K	d ₁	Grease Nipple
MSB 15 TS MSB 15 S	24	34	40.2 57.2	9.5	4.5	26	- 26	M4×6	23.5 40.5	6	5.5	5.5	5.1	3.3	G-M4
MSB 20 TS MSB 20 S	28	42	48 67	11	6	32	- 32	M5×7	29 48	6	5.5	12	5.9	3.3	G-M6
MSB 25 TS MSB 25 S	33	48	60.2 82	12.5	7	35	- 35	M6×9	38.7 60.5	8	6	12	6.2	3.3	G-M6
MSB 30 TS MSB 30 S	42	60	68 96.7	16	9.5	40	- 40	M8×12	43.3 72	8	8	12	6.3	3.3	G-M6
MSB 35 TS MSB 35 S MSB 35 LS	48	70	78 112 137.5	18	9.5	50	- 50 72	M8×12	46 80 105.5	12.5	8.5	11.5	9.8	3.3	G-M6

Note: Rail mounting holes for M3 (6x4.5x3.5) and M4 (7.5x5.3x4.5) are available for MSB15 rail. The codes of rail type are MSB15R for M3 mounting holes, and MSB15U for M4 mounting holes.

Note: The basic dynamic load rating C of ball type is based on the 50 km for nominal life. The conversion between C for 50 km and C₁₀₀ for 100 km is C=1.26 × C₁₀₀.

Note*: Single: Single carriage/ Double: Double carriages closely contacting with each other.

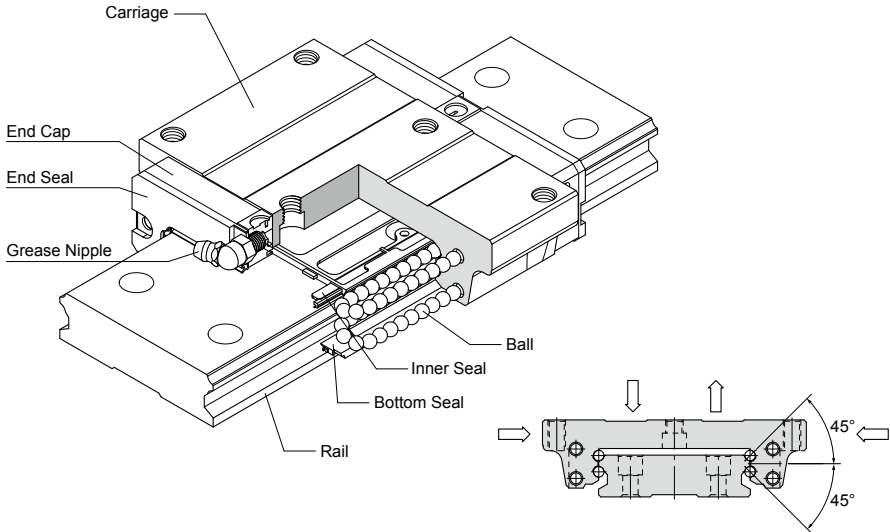


Unit: mm

Model No.	Rail dimension					Basic load rating		Static moment rating					Weight	
	Width W _i	Height H _i	Pitch P	E std.	D × h × d (7.5×5.3×4.5)	Dynamic C kN	Static C ₀ kN	M _p kN-m		M _y kN-m		M _r kN-m	Carriage kg	Rail kg/m
								Single*	Double*	Single*	Double*			
MSB 15 TS MSB 15 S	15	12.5	60	20	6×4.5×3.5 (7.5×5.3×4.5)	6.7 10.0	9.6 16.9	0.04 0.10	0.26 0.61	0.04 0.10	0.26 0.61	0.07 0.13	0.09 0.16	1.2
MSB 20 TS MSB 20 S	20	15	60	20	9.5×8.5×6	9.7 13.9	14.2 23.6	0.07 0.18	0.44 0.97	0.07 0.18	0.44 0.97	0.14 0.24	0.16 0.26	2
MSB 25 TS MSB 25 S	23	18	60	20	11×9×7	15.6 22.3	22.1 36.9	0.13 0.35	0.91 1.87	0.13 0.35	0.91 1.87	0.26 0.43	0.29 0.45	3
MSB 30 TS MSB 30 S	28	23	80	20	11×9×7	23.1 32.9	31.8 53.1	0.23 0.60	1.39 3.15	0.23 0.60	1.39 3.15	0.45 0.74	0.52 0.82	4.4
MSB 35 TS MSB 35 S MSB 35 LS	34	27.5	80	20	14×12×9	35.7 52.0 63.6	44.0 75.5 100.6	0.34 0.93 1.60	2.81 5.47 8.67	0.34 0.93 1.60	2.81 5.47 8.67	0.75 1.28 1.67	0.81 1.13 1.49	6.2

Wide Rail Type, MSG Series

Construction



Characteristics

The trains of balls are designed to a contact angle of 45° which enables it to bear an equal load in radial, reversed radial and lateral directions. Therefore, it can be applied in any installation direction. Furthermore, MSG series can achieve a well balanced preload for increasing rigidity in four directions while keeping a low frictional resistance. This is especially suit to high precision and high rigidity required motion. By design, the ability to use a single rail and to have the low profile with a low center of gravity is ideal where space is limited and high moments are required.

The patent design of lubrication route makes the lubricant evenly distribute in each circulation loop. Therefore, the optimum lubrication can be achieved in any installation direction, and this promotes the performance in running accuracy, service life, and reliability.

High Rigidity, Four-way Equal Load

The four trains of balls are allocated to a circular contact angle at 45° , thus each train of balls can take up an equal rated load in all four directions. Moreover, a sufficient preload can be achieved to increase rigidity, and this makes it suitable for any kind of installation

Smooth Movement with Low Noise

The simplified design of circulating system with strengthened synthetic resin accessories makes the movement smooth and quiet.

Self Alignment Capability

The self adjustment is performed spontaneously as the design of face-to-face (DF) circular arc groove. Therefore, the installation error could be compensated even under a preload, and which results in precise and smooth linear motion.

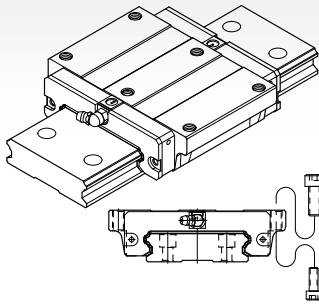
Interchangeability

For interchangeable type of linear guideway, the dimensional tolerances are strictly maintained within a reasonable range, and this has made the random matching of the same size of rails and carriages possible. Therefore, the similar preload and accuracy can be obtained even under the random matching condition. As a result of this advantage, the linear guideway can be stocked as standard parts, the installation and maintenance become more convenient. Moreover, this is also beneficial for shortening the delivery time.

Carriage Type

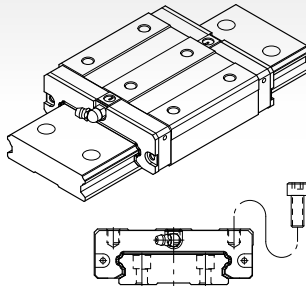
Wide Rail Type

MSG-E Type



This type offers the installation either from top or bottom side of carriage.

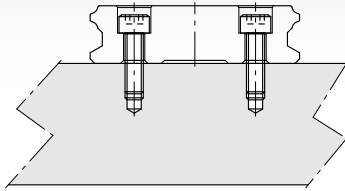
MSG-S Type



Square type with smaller width and can be installed from top side of carriage.

Rail Type

Counter Bore (R type)



Description of Specification

Non-Interchangeable Type

	MSG	27	E	2	SS	F0	
Series : MSG							
Size : 21, 27, 35							
Carriage type : E : Flange type, mounting either from top or bottom S : Square type							
Number of carriages per rail : 1, 2, 3 ...							
Dust protection option of carriage : No symbol, UU, SS, ZZ, DD, KK (refer to Dust Proof [B1-232])							
Preload : FC (Light preload) , F0 (Medium preload) , F1 (Heavy preload)							
Code of special carriage : No symbol, A, B, ...							
Rail type : R (Counter-bore type)							
Rail length (mm)							
Rail hole pitch from start side (E1 , see Fig.3)							
Rail hole pitch to the end side (E2 , see Fig.3)							
Accuracy grade : N, H, P, SP, UP							
Code of special rail : No symbol, A, B ...							
Dust protection option of rail : No symbol, /CC, /MC, /MD (refer to Code of Contamination for Rail [B1-233])							
Number of rails per axis : No symbol, II, III, IV ...							

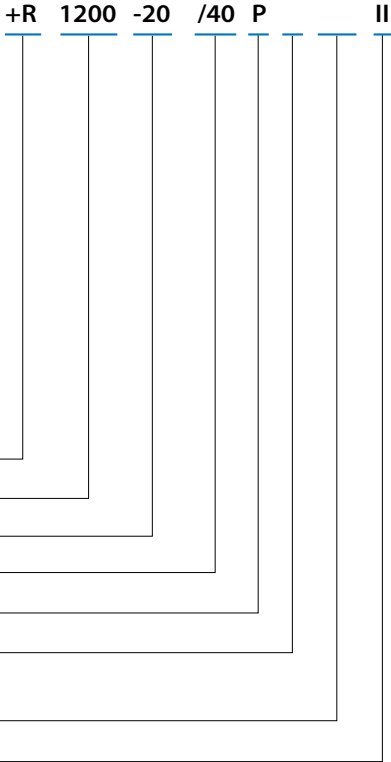
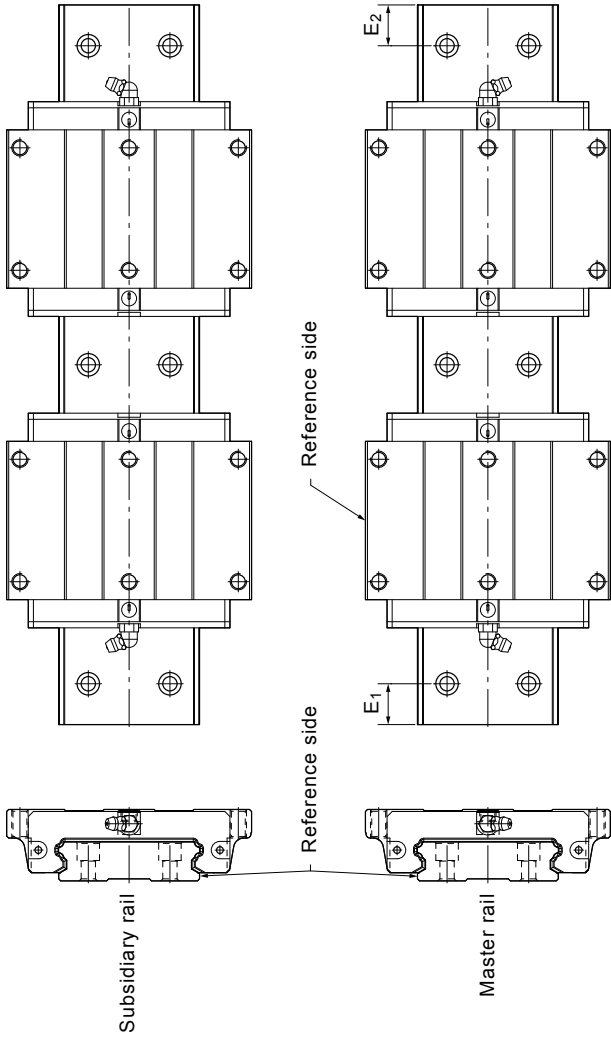
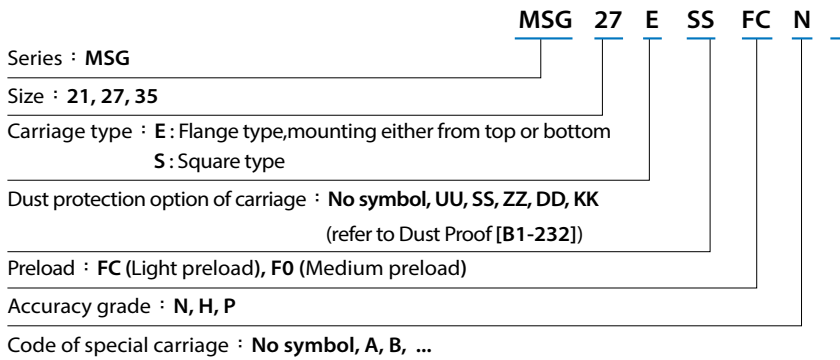


Fig.3

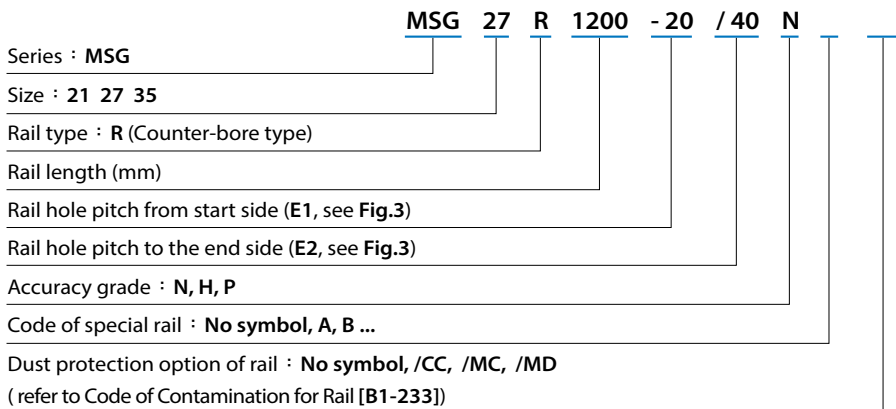


Interchangeable Type

Code of Carriage



Code of Rail



Accuracy Grade

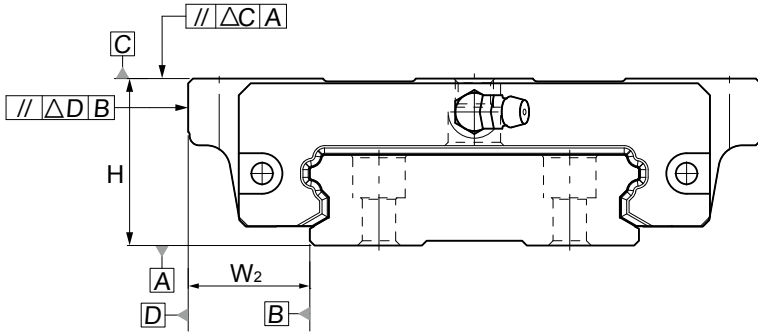


Table 3 Running Parallelism

Rail length (mm)		Running Parallelism Values(μm)				
Above	Or less (incl.)	N	H	P	SP	UP
0	315	9	6	3	2	1.5
315	400	11	8	4	2	1.5
400	500	13	9	5	2	1.5
500	630	16	11	6	2.5	1.5
630	800	18	12	7	3	2
800	1000	20	14	8	4	2
1000	1250	22	16	10	5	2.5
1250	1600	25	18	11	6	3
1600	2000	28	20	13	7	3.5
2000	2500	30	22	15	8	4
2500	3000	32	24	16	9	4.5
3000	3500	33	25	17	11	5
3500	4000	34	26	18	12	6

Non-Interchangeable Type

Model No.	Item	Accuracy Grade				
		Normal N	High H	Precision P	Super Precision SP	Ultra Precision UP
21	Tolerance for height H	±0.1	±0.03	0 -0.03	0 -0.015	0 -0.008
	Height difference ΔH	0.02	0.01	0.006	0.004	0.003
	Tolerance for distance W ₂	±0.1	±0.03	0 -0.03	0 -0.015	0 -0.008
	Difference in distance W ₂ (ΔW ₂)	0.02	0.01	0.006	0.004	0.003
	Running parallelism of surface C with surface A	ΔC (see the Table 3)				
	Running parallelism of surface D with surface B	ΔD (see the Table 3)				
27 35	Tolerance for height H	±0.1	±0.04	0 -0.04	0 -0.02	0 -0.01
	Height difference ΔH	0.02	0.015	0.007	0.005	0.003
	Tolerance for distance W ₂	±0.1	±0.04	0 -0.04	0 -0.02	0 -0.01
	Difference in distance W ₂ (ΔW ₂)	0.03	0.015	0.007	0.005	0.003
	Running parallelism of surface C with surface A	ΔC (see the Table 3)				
	Running parallelism of surface D with surface B	ΔD (see the Table 3)				

Interchangeable Type

Model No.	Item	Accuracy Grade		
		Normal N	High H	Precision P
21	Tolerance for height H	±0.1	±0.03	0 -0.03
	Height difference ΔH	0.02	0.01	0.006
	Tolerance for distance W_2	±0.1	±0.03	0 -0.03
	Difference in distance $W_2(\Delta W_2)$	0.02	0.01	0.006
	Running parallelism of surface C with surface A	ΔC (see the Table 3)		
	Running parallelism of surface D with surface B	ΔD (see the Table 3)		
27 35	Tolerance for height H	±0.1	±0.04	0 -0.04
	Height difference ΔH	0.02	0.015	0.007
	Tolerance for distance W_2	±0.1	±0.04	0 -0.04
	Difference in distance $W_2(\Delta W_2)$	0.03	0.015	0.007
	Running parallelism of surface C with surface A	ΔC (see the Table 3)		
	Running parallelism of surface D with surface B	ΔD (see the Table 3)		

Note: Definition of interchangeable: It is confined to the carriage on the single rail, not including the exchange of multiple rails and carriages.

Preload Grade

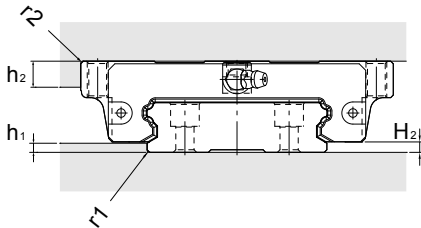
Series	Preload grade		
	Light preload (FC)	Medium preload (F0)	Heavy preload (F1)
MSG21	0~0.02C	0.03~0.05C	0.05~0.08C
MSG27			
MSG35			

Note: C is basic dynamic load rating in above table. Refer to the specification of products, please.

The Shoulder Height and Corner Radius for Installation

MSG series

Unit: mm

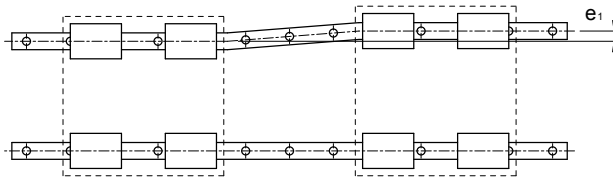


Model No.	r_1 (max.)	r_2 (max.)	h_1	h_2	H_2
21	0.4	0.4	2.5	5	3
27	0.4	0.4	2.5	7	3
35	0.8	0.8	3.5	10	4

Dimensional Tolerance of Mounting Surface

With the self alignment capability, the minor dimensional error in mounting surface could be compensated and achieves smooth linear motion. The tolerances of parallelism between two axes are shown as below.

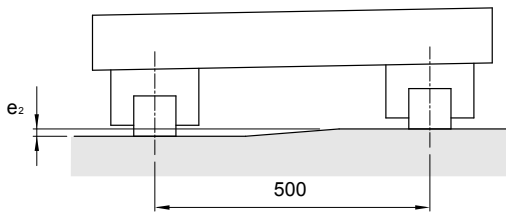
The parallel deviation between two axes (e_1)



Unit: μm

Model No.	Preload Grade		
	FC	F0	F1
21	-	25	18
27	-	25	20
35	30	22	20

Level difference between two axes (e_2)

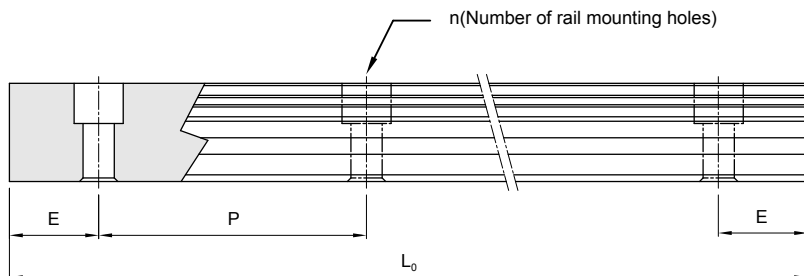


Unit: μm

Model No.	Preload Grade		
	FC	F0	F1
21	130	85	-
27	130	85	-
35	130	85	70

Note: The permissible values in table are applicable when the span is 500mm wide.

Rail Maximum Length and Standard



$$L_0 = (n-1) \times P + 2 \times E$$

L_0 : Total Length of rail (mm)

n : Number of mounting holes

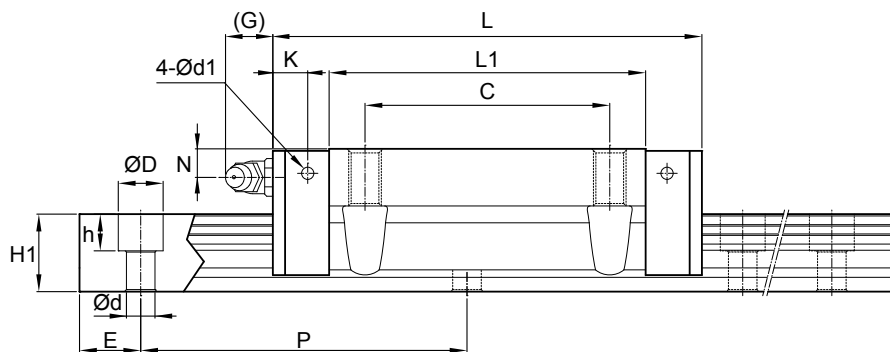
P : Distance between any two holes (mm)

E : Distance from the center of the last hole to the edge (mm)

Unit: mm

Model No.	Standard Pitch (P)	Standard (E _{std.})	Minimum (E _{min.})	Max (L ₀ max.)
MSG 21	50	15	5	3000
MSG 27	60	20	5	3000
MSG 35	80	20	7	3000

Dimensions of MSG-E

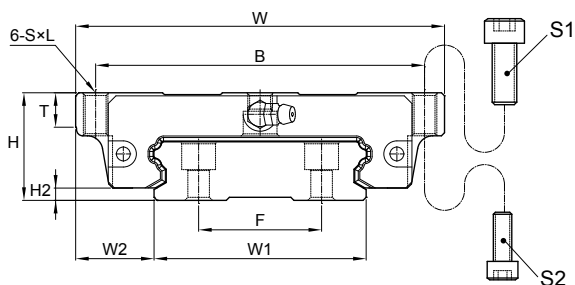
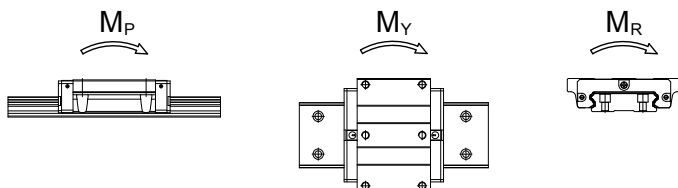


Unit: mm

Model No.	External dimension					Carriage dimension										Grease Nipple
	Height H	Width W	Length L	W ₂	H ₂	B	C	F	S × ℓ	L ₁	T	N	G	K	d ₁	
MSG21 E	21	68	59	15.5	3	60	29	22	M5x8	40	6	5	12	5.5	2.5	G-M6
MSG27 E	27	80	72.2	19	3	70	40	24	M6x10	51.8	8	6	12	6.2	3.3	G-M6
MSG35 E	35	120	105.2	25.5	4	107	60	40	M8x14	77.6	11.42	7	12	8.55	3.3	G-M6

Note: The basic dynamic load rating C of ball type is based on the 50 km for nominal life. The conversion between C for 50 km and C₁₀₀ for 100 km is C=1.26 × C₁₀₀.

Note*: Single: Single carriage/ Double: Double carriages closely contacting with each other.

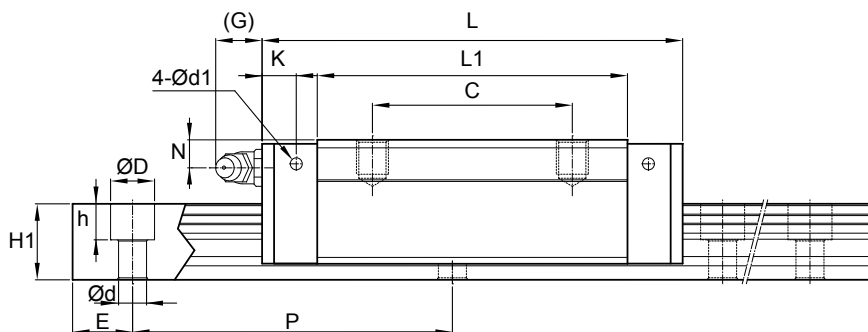


Model No.	Bolt Size	
	S ₁	S ₂
MSG 21	M5	M4
MSG 27	M6	M5
MSG 35	M8	M6

Unit: mm

Model No.	Rail dimension					Basic load rating		Static moment rating					Weight	
	Width W ₁	Height H ₁	Pitch P	E std.	D × h × d	Dynamic C kN	Static C ₀ kN	M _P kN-m		M _Y kN-m		M _R kN-m	Carriage kg	Rail kg/m
								Single*	Double*	Single*	Double*			
MSG21 E	37	11	50	15	7.5×5.3×4.5	7	12.1	0.08	0.46	0.08	0.46	0.22	0.25	2.86
MSG27 E	42	15	60	20	7.5×5.3×4.5	12.4	20.2	0.15	0.87	0.15	0.87	0.42	0.31	4.49
MSG35 E	69	19	80	20	11×9×7	30.7	48.6	0.65	3.6	0.65	3.6	1.67	0.99	9.4

Dimensions of MSG-S

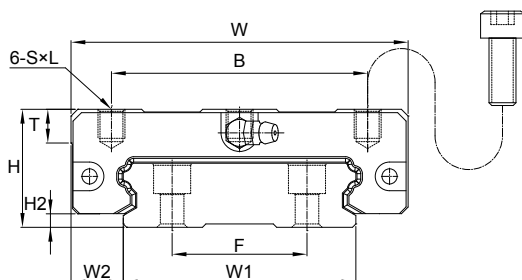
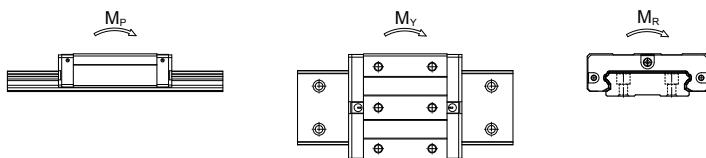


Unit: mm

Model No.	External dimension					Carriage dimension											Grease Nipple
	Height H	Width W	Length L	W ₂	H ₂	B	C	F	S × ℓ	L ₁	T	N	G	K	d ₁		
MSG21 S	21	54	59	8.5	3	31	19	22	M5×6	40	8	5	12	5.5	2.5	G-M6	
MSG27 S	27	62	72.2	10	3	46	32	24	M6×6	51.8	10	6	12	6.2	3.3	G-M6	
MSG35 S	35	100	105.2	15.5	4	76	50	40	M8×8	77.6	10	7	12	8.55	3.3	G-M6	

Note: The basic dynamic load rating C of ball type is based on the 50 km for nominal life. The conversion between C for 50 km and C₁₀₀ for 100 km is C=1.26 × C₁₀₀.

Note*: Single: Single carriage/ Double: Double carriages closely contacting with each other.

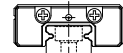
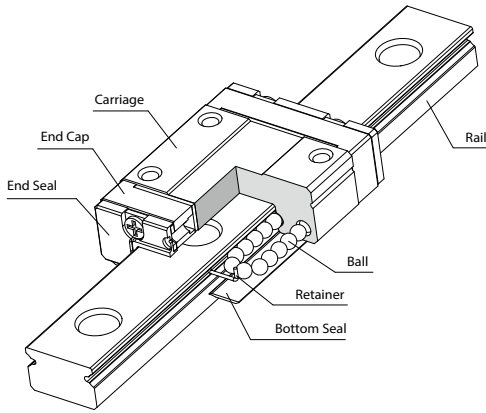


Unit: mm

Model No.	Rail dimension					Basic load rating		Static moment rating					Weight	
	Width W_1	Height H_1	Pitch P	E std.	$D \times h \times d$	Dynamic C kN	Static C_0 kN	M_p kN-m		M_y kN-m		M_r kN-m	Carriage kg	Rail kg/m
								Single*	Double*	Single*	Double*			
MSG21 S	37	11	50	15	7.5×5.3×4.5	7	12.1	0.08	0.46	0.08	0.46	0.22	0.25	2.86
MSG27 S	42	15	60	20	7.5×5.3×4.5	12.4	20.2	0.15	0.87	0.15	0.87	0.42	0.31	4.49
MSG35 S	69	19	80	20	11×9×7	30.7	48.6	0.65	3.6	0.65	3.6	1.67	0.99	9.4

Miniature Type, MSC, MSD Stainless Steel Series

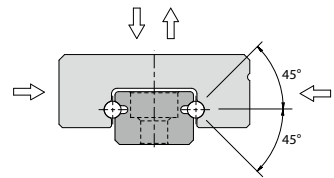
Construction



MSC Standard Type



MSD Wide Type



Characteristics

MSC standard type and MSD wide type stainless steel series are applied two rows with Gothic-arch groove and designed to contact angle of 45° which enables it to bear an equal load in radial, reversed radial and lateral directions. Furthermore, ultra compact and low friction resistance design is suit to compact equipment. The lubrication route makes the lubricant evenly distribute in each circulation loop. Therefore, the optimum lubrication can be achieved in any installation direction, and this promotes the performance in running accuracy, service life, and reliability.

Four-way Equal Load

The two trains of balls are allocated to a Gothic-arch groove contact angle at 45° , thus each train of balls can take up an equal rated load in all four directions.

Ultra Compact

The ultra compact design is suit to the compact application with limited in space.

Ball Retainer

Design with ball retainer can prevent ball from dropping.

Smooth Movement with Low Noise

The simplified design of circulating system with strengthened synthetic resin accessories makes the movement smooth and quiet.

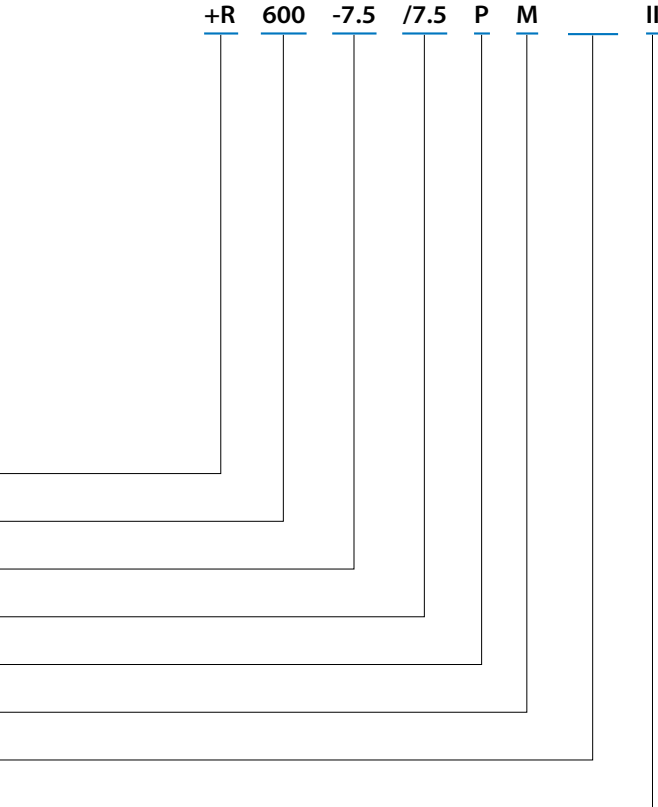
Interchangeability

For interchangeable type of linear guideway, the dimensional tolerances are strictly maintained within a reasonable range, and this has made the random matching of the same size of rails and carriages possible. Therefore, the similar preload and accuracy can be obtained even under the random matching condition. As a result of this advantage, the linear guideway can be stocked as standard parts, the installation and maintenance become more convenient. Moreover, this is also beneficial for shortening the delivery time.

Description of Specification

Non-interchangeable Type

	MSC	7	M	2	LL	F0	
Series : MSC, MSD							
Size : 7, 9, 12, 15							
Carriage type : M : Standard type (Stainless) LM : Heavy load type (Stainless)							
Number of carriages per rail : 1, 2, 3 ...							
Dust protection option of carriage : LL, RR (refer to Dust Proof [B1-232])							
Preload : FZ (Clearance), FC (Light preload), F0 (Medium preload)							
Code of special carriage : No symbol, A, B, ...							
Rail type : R (Counter bore type)							
Rail length (mm)							
Rail hole pitch from start side (E1 , see Fig.4)							
Rail hole pitch to the end side (E2 , see Fig.4)							
Accuracy grade : N, H, P							
Stainless steel							
Code of special rail : No symbol, A, B ...							
Number of rails per axis : No symbol, II, III, IV ...							



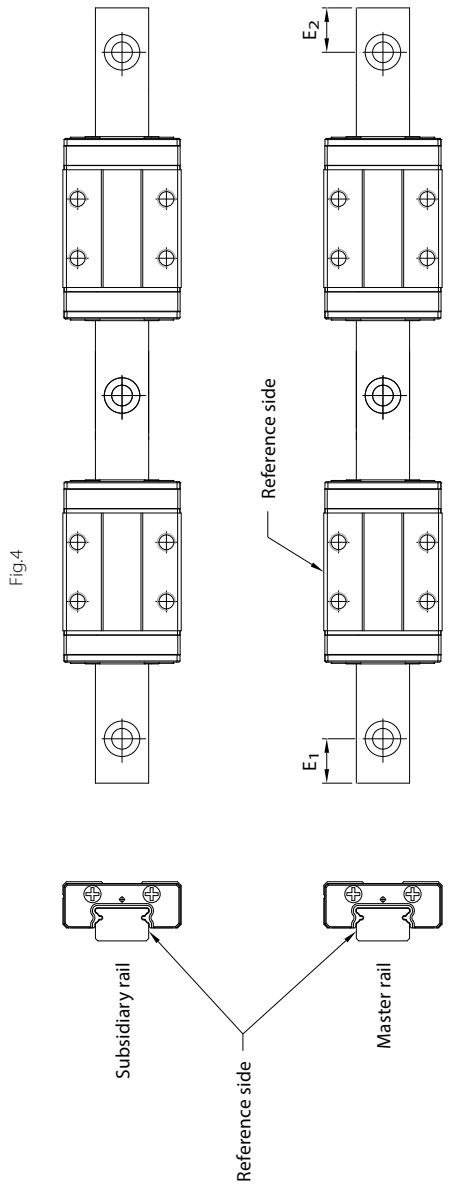
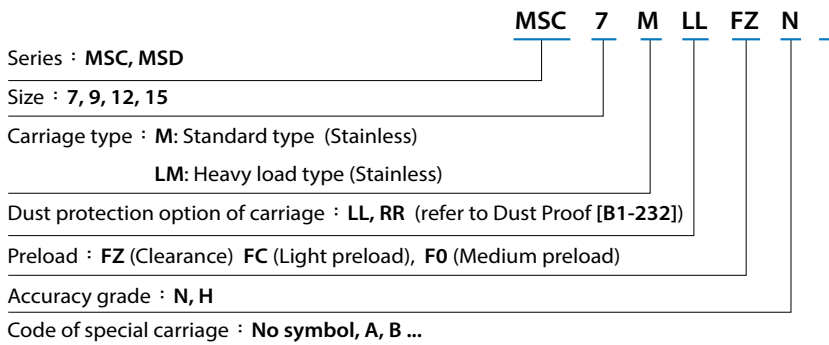


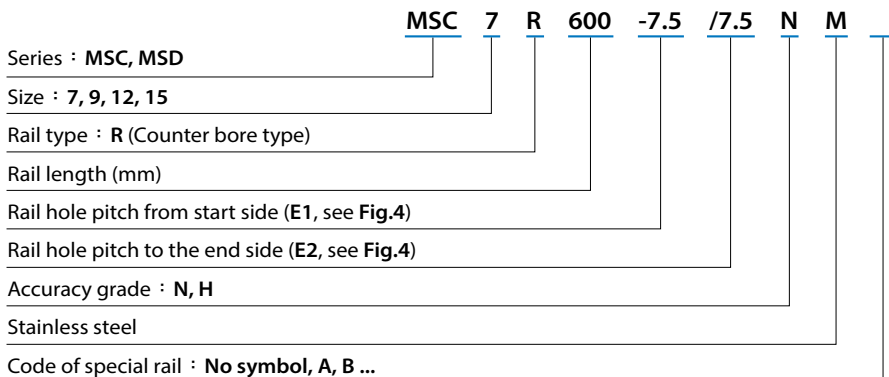
Fig.4

Interchangeable Type

Code of Carriage



Code of Rail



Accuracy Grade

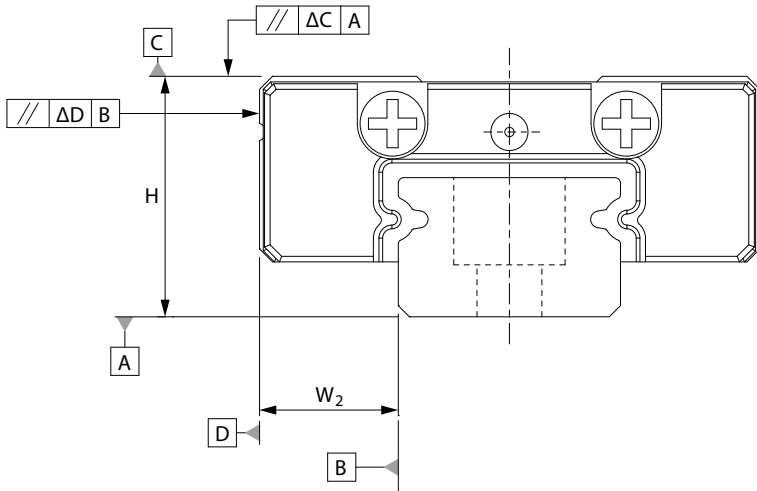


Table 4 Running Parallelism

Rail length (mm)		Running Parallelism Values(μm)		
Above	Or less (incl.)	N	H	P
-	40	8	4	1
40	70	10	4	1
70	100	11	4	2
100	130	12	5	2
130	160	13	6	2
160	190	14	7	2
190	220	15	7	3
220	250	16	8	3
250	280	17	8	3

Rail length (mm)		Running Parallelism Values(μm)		
Above	Or less (incl.)	N	H	P
280	310	17	9	3
310	340	18	9	3
340	370	18	10	3
370	400	19	10	3
400	430	20	11	4
430	460	20	12	4
460	490	21	12	4
490	520	21	12	4
520	550	22	12	4
550	580	22	13	4
580	610	22	13	4
610	640	22	13	4
640	670	23	13	4
670	700	23	13	5
700	730	23	14	5
730	760	23	14	5
760	790	23	14	5
790	820	23	14	5
820	850	24	14	5
850	880	24	15	5
880	910	24	15	5
910	940	24	15	5
940	970	24	15	5
970	1000	25	16	5

Rail length (mm)		Running Parallelism Values(μm)		
Above	Or less (incl.)	N	H	P
1000	1030	25	16	5
1030	1060	25	16	6
1060	1090	25	16	6
1090	1120	25	16	6
1120	1150	25	16	6
1150	1180	26	17	6
1180	1210	26	17	6
1210	1240	26	17	6
1240	1270	26	17	6
1270	1300	26	17	6
1300	1330	26	17	6
1330	1360	27	18	6
1360	1390	27	18	6
1390	1420	27	18	6
1420	1450	27	18	7
1450	1480	27	18	7
1480	1510	27	18	7
1510	1540	28	19	7
1540	1570	28	19	7
1570	1800	28	19	7

Non-Interchangeable Type

Model No.	Item	Accuracy Grade		
		Normal N	High H	Precision P
7 9 12 15	Tolerance for height H	±0.04	±0.02	±0.01
	Height difference ΔH	0.03	0.015	0.007
	Tolerance for distance W ₂	±0.04	±0.025	±0.015
	Difference in distance W ₂ (ΔW ₂)	0.03	0.02	0.01
	Running parallelism of surface C with surface A	ΔC (see the Table 4)		
	Running parallelism of surface D with surface B	ΔD (see the Table 4)		

Interchangeable Type

Model No.	Item		Accuracy Grade	
			Normal N	High H
7 9 12 15	Tolerance for height H		±0.04	±0.02
	Tolerance for distance W ₂		±0.04	±0.025
	Paired single-rail	Height difference (ΔH)	0.03	0.015
		Difference in distance W ₂ (ΔW ₂)	0.03	0.02
	Paired multiple-rail height difference (ΔH)		0.07	0.04
	Running parallelism of surface C with surface A		ΔC (see the Table 4)	
	Running parallelism of surface D with surface B		ΔD (see the Table 4)	

Note: Definition of interchangeable: It is confined to the carriage on the single rail, not including the exchange of multiple rails and carriages.

Preload Grade

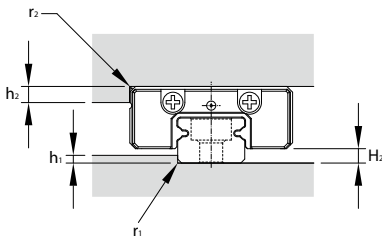
Series	Preload grade		
	Clearance (FZ)	Light preload (FC)	Medium preload (F0)
MSC7	Clearance 4~10 μ m	Clearance 2 μ m~0.01C	0.01~0.02C
MSC9			
MSC12			
MSC15			
MSC7L	Clearance 4~10 μ m	Clearance 2 μ m~0.01C	0.01~0.02C
MSC9L			
MSC12L			
MSC15L			
MSD7	Clearance 4~10 μ m	Clearance 2 μ m~0.01C	0.01~0.02C
MSD9			
MSD12			
MSD15			
MSD7L	Clearance 4~10 μ m	Clearance 2 μ m~0.01C	0.01~0.02C
MSD9L			
MSD12L			
MSD15L			

Note: C is basic dynamic load rating in above table. Refer to the specification of products, please.

The Shoulder Height and Corner Radius for Installation

MSC series

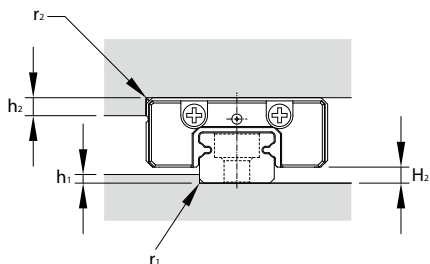
Unit: mm



Model No.	r_1 (max.)	r_2 (max.)	h_1	h_2	H_2
7	0.2	0.2	1.0	3	1.5
9	0.2	0.3	1.7	3	2.2
12	0.3	0.4	2.5	4	3
15	0.5	0.5	3.5	5	4

MSD series

Unit: mm

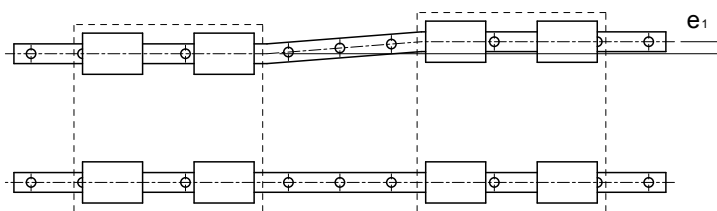


Model No.	r_1 (max.)	r_2 (max.)	h_1	h_2	H_2
7	0.2	0.2	1.5	3	2
9	0.2	0.3	3.2	3	3.7
12	0.3	0.4	3.5	4	4
15	0.5	0.5	3.5	5	4

Dimensional Tolerance of Mounting Surface

The tolerances of parallelism between two axes are shown as below.

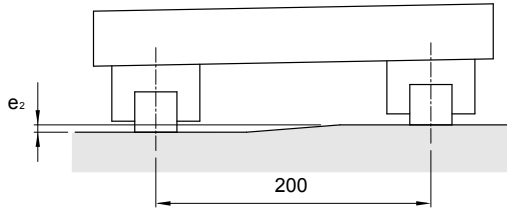
The parallel deviation between two axes (e_1)



Unit: μm

Model No.	Preload Grade		
	FZ	FC	F0
MSC 7 MSD7	12	3	3
MSC 9 MSD9	15	4	3
MSC 12 MSD12	20	9	5
MSC 15 MSD15	25	10	6

Level difference between two axes (e_2)

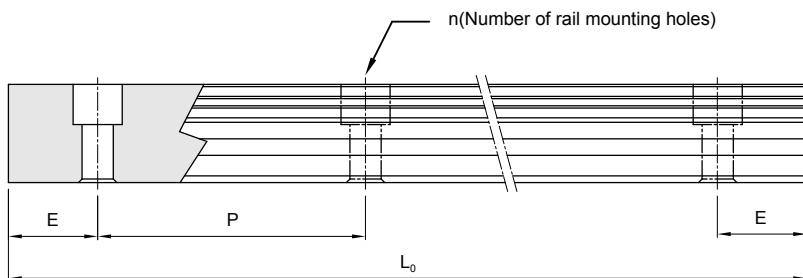


Unit: μm

Model No.	Preload Grade		
	FZ	FC	F0
MSC 7 MSD7	25	25	6
MSC 9 MSD9	35	35	6
MSC 12 MSD12	50	50	12
MSC 15 MSD15	60	60	20

Note: The permissible values in table are applicable when the span is 200mm wide.

Rail Maximum Length and Standard



$$L_0 = (n-1) \times P + 2 \times E$$

L_0 : Total Length of rail (mm)

n : Number of mounting holes

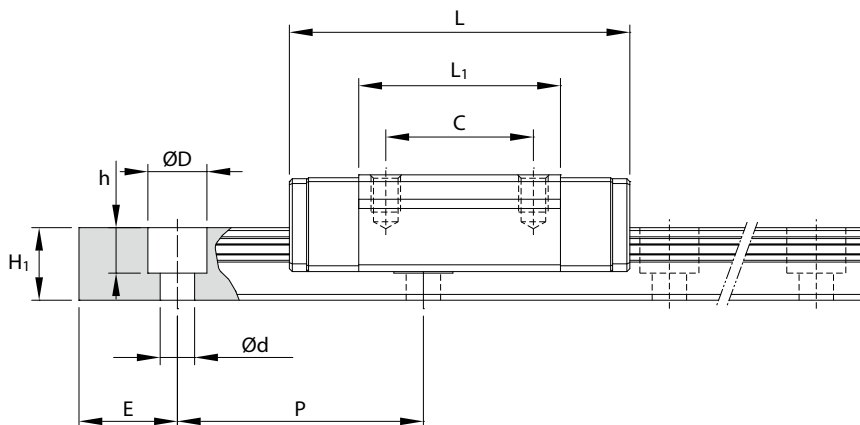
P : Distance between any two holes (mm)

E : Distance from the center of the last hole to the edge (mm)

Unit: μm

Model No.		Standard Pitch (P)	Standard ($E_{\text{std.}}$)	Standard (maximum) ($L_0 \text{ max.}$)
MSC	7	15	5	1000
	9	20	7.5	1000
	12	25	10	1000 (2000)
	15	40	15	1000 (2000)
MSD	7	30	10	1000 (2000)
	9	30	10	1000 (2000)
	12	40	15	1000 (2000)
	15	40	15	1000 (2000)

Dimensions of MSC-M / MSC-LM

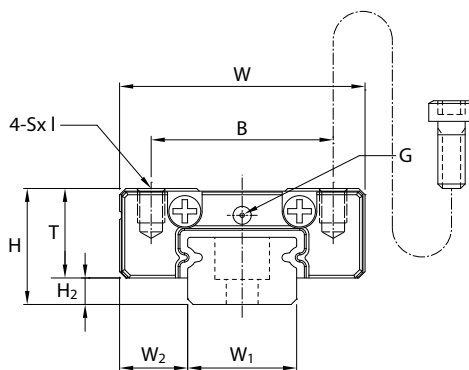
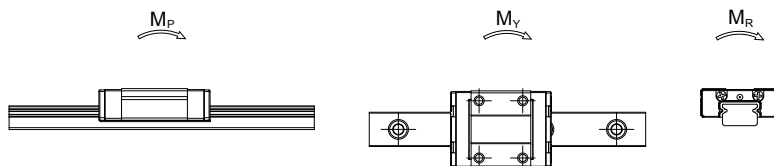


Unit: mm

Model No.	External dimension					Carriage dimension					
	Height H	Width W	Length L	W ₂	H ₂	B	C	S × l	L ₁	T	G
MSC 7 M MSC 7 LM	8	17	23.6 33.0	5	1.5	12	8 13	M2×2.5	13.5 22.9	6.5	Ø0.8
MSC 9 M MSC 9 LM	10	20	31.1 41.3	5.5	2.2	15	10 16	M3×3	19.9 30.1	7.8	Ø1
MSC 12 M MSC 12 LM	13	27	34.6 47.5	7.5	3	20	15 20	M3×3.6	20.5 33.4	10	Ø1.5
MSC 15 M MSC 15 LM	16	32	43.5 60.6	8.5	4	25	20 25	M3×4.2	26.9 44	12	G-M3

Note: The basic dynamic load rating C of ball type is based on the 50 km for nominal life. The conversion between C for 50 km and C₁₀₀ for 100 km is C=1.26 × C₁₀₀.

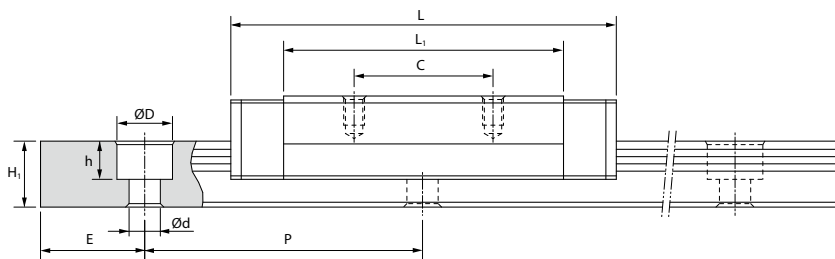
Note*: Single: Single carriage/ Double: Double carriages closely contacting with each other.



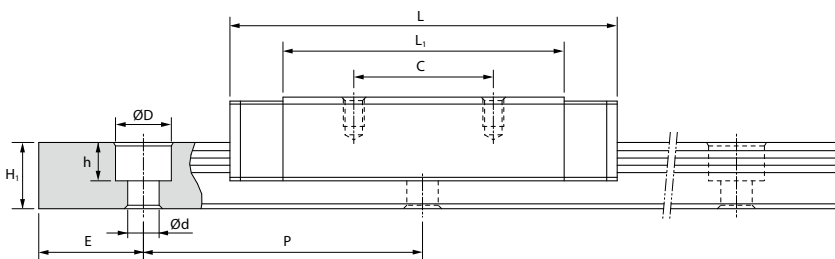
Unit: mm

Model No.	Rail dimension					Basic load rating		Static moment rating				Weight		
	Width W ₁	Height H ₁	Pitch P	E std.	D × h × d	Dynamic C	Static C ₀	M _p		M _y		M _r	Carriage g	Rail kg/m
								Single*	Double*	Single*	Double*			
MSC 7 M	7	0	4.7	15	5	0.94	1.28	2.6	15.33	2.6	15.33	4.7	7	0.22
MSC 7 LM	-0.05					1.36	2.24	7.4	37.92	7.4	37.92	8.3	13	
MSC 9 M	9	0	5.5	20	7.5	1.71	2.24	6.1	33.46	6.1	33.46	10.8	15	0.33
MSC 9 LM	-0.05					2.52	3.92	17.4	84.63	17.4	84.63	18.8	24	
MSC 12 M	12	0	7.5	25	10	2.62	3.52	11.4	63.96	11.4	63.96	22.2	40	0.63
MSC 12 LM	-0.05					3.77	5.72	28.3	141.52	28.3	141.52	36.0	60	
MSC 15 M	15	0	9.5	40	15	4.52	5.70	24.7	132.17	24.7	132.17	44.4	71	1.02
MSC 15 LM	-0.05					6.47	9.26	61.0	295.87	61.0	295.87	72.2	100	

Dimensions of MSD-M / MSD-LM



MSD7, MSD9



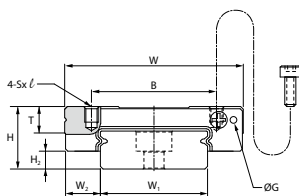
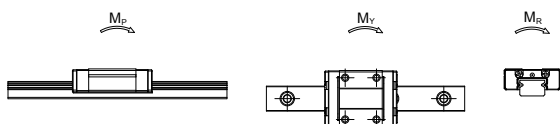
MSD12, MSD15

Unit: mm

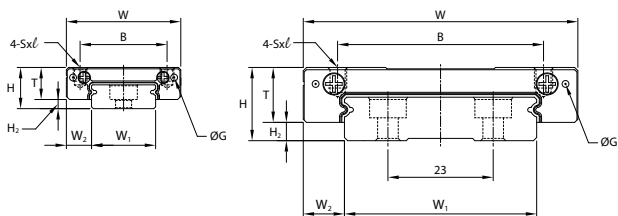
Model No.	External dimension					Carriage dimension					
	Height H	Width W	Length L	W ₂	H ₂	B	C	S × ℓ	L ₁	T	G
MSD 7 M MSD 7 LM	9	25	30.8 40.5	5.5	2	19	10 19	M3×3	20.6 30.3	3.9	Ø1.5
MSD 9 M MSD 9 LM	12	30	38.7 50.7	6	3.7	21 23	12 24	M3×3	27.1 39.1	5	Ø1.5
MSD 12 M MSD 12 LM	14	40	44.5 60	8	4	28	15 28	M3×4	31.0 46.5	10	Ø1.5
MSD 15 M MSD 15 LM	16	60	55.5 74.5	9	4	45	20 35	M4×4.5	40.3 59.3	12	Ø1.5

Note: The basic dynamic load rating C of ball type is based on the 50 km for nominal life. The conversion between C for 50 km and C₁₀₀ for 100 km is C=1.26 × C₁₀₀.

Note*: Single: Single carriage/ Double: Double carriages closely contacting with each other.



MSD7, MSD9



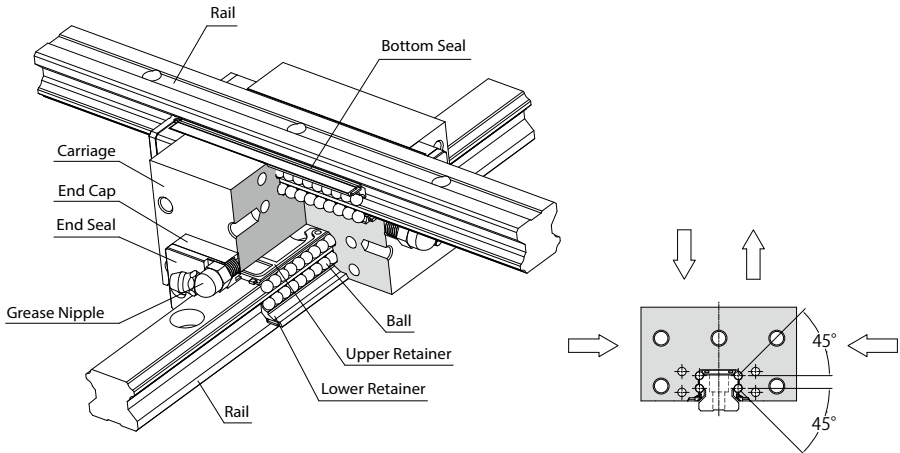
MSD12, MSD15

Unit: mm

Model No.	Rail dimension					Basic load rating		Static moment rating					Weight	
	Width W ₁	Height H ₁	Pitch P	E std.	D × h × d	Dynamic C kN	Static C ₀ kN	M _p N-m		M _v N-m		M _r N-m	Carriage g	Rail kg/m
								Single*	Double*	Single*	Double*			
MSD 7 M	14 ⁰	5.2	30	10	6×3.2×3.5	1.51	2.46	6.6	39.0	6.6	39.0	17.7	23	0.55
MSD 7 LM	-0.05					2.04	3.79	17.5	84.0	17.5	84.0	27.3	31	
MSD 9 M	18 ⁰	7	30	10	6×4.5×3.5	2.79	4.37	15.6	90.3	15.6	90.3	40.7	41	0.96
MSD 9 LM	-0.05					3.64	6.39	33.8	175.2	33.8	175.2	59.5	57	
MSD 12 M	24 ⁰	8.5	40	15	8×4.5×4.5	4.05	6.20	26.3	151.5	26.3	151.5	76.3	70	1.55
MSD 12 LM	-0.05					5.28	9.06	57.0	294.4	57.0	294.4	116.6	101	
MSD 15 M	42 ⁰	9.5	40	15	8×4.5×4.5	7.08	10.18	62.5	301.4	62.5	301.4	216.9	130	2.99
MSD 15 LM	-0.05					9.40	15.26	135.2	616.1	135.2	616.1	325.3	150	

Cross Linear Guideway MSH Series

Construction



Characteristics

Balls roll four rows of raceways precision-ground on a rail and a carriage, and end cap incorporated in the carriage allow the balls to circulate. Since retainer plates hold the balls, they do not fall off even if the rail is pulled out. This model is an integral type of linear guideway that squares an internal structure similar to other model, which has a proven track record and is highly reliable, with another and uses two rails in combination.

The two rails are also machined with high precision in relative straightness. As a result, extremely high accuracy in orthogonality is achieved. Since an orthogonal linear guideway system can be achieved with model MSH alone, a conventionally required saddle is no longer necessary, the structure for X-Y motion can be simplified and the whole system can be downsized.

Four-way Equal Load

The four trains of balls are allocated to a circular contact angle at 45°, thus each train of balls can take up an equal rated load in all four directions. Moreover, a sufficient preload can be achieved to increase rigidity, and this makes it suitable for any kind of installation.

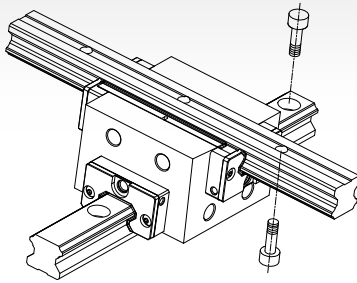
High Rigidity

Since balls are arranged in four rows in a well-balanced manner, this model is stiff against a moment, and smooth straight motion is ensured even a preload is applied to increase the rigidity. The rigidity of the carriages is 50% higher than that of a combination of two carriages secured together back-to-back with bolts. Thus, MSH is an optimal linear guideway for building an X-Y table that requires high rigidity.

Carriage Type

Heavy Load

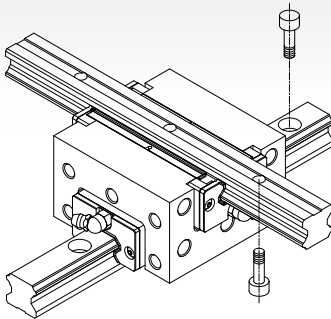
MSH-S Type



This model is a standard type.

Ultra Heavy Load

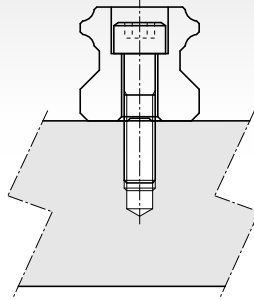
MSH-LS Type



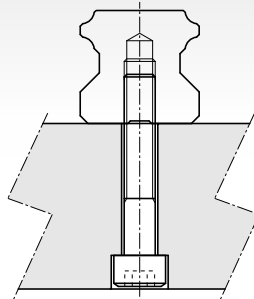
All dimensions are same as MSH-S except the length is longer, which makes it more rigid.

Rail Type

Counter Bore (R type)



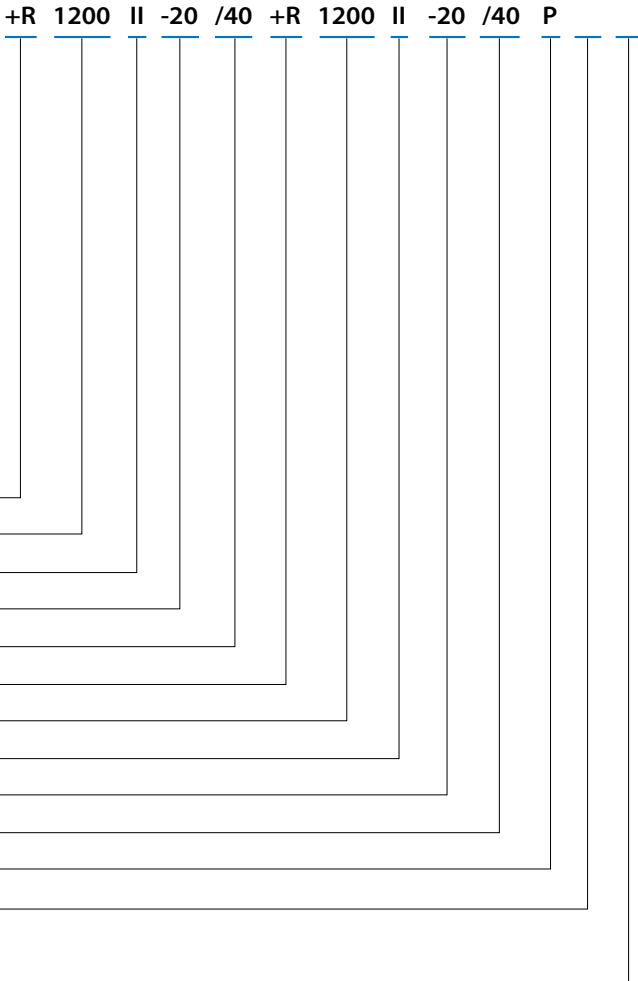
Tapped Hole (T type)



Description of Specification

Non-Interchangeable Type

	MSH	20	LS	2	SS	F0	
Series : MSH							
Size : 20, 30							
Carriage type : Heavy load							
S : Square type							
Ultra heavy load							
LS : Square type							
Number of carriages per rail : 1, 2, 3 ...							
Dust protection option of carriage :							
No symbol, UU, SS, ZZ, DD, KK, LL, RR, HD (refer to Dust Proof [B1-232])							
Preload : FC (Light preload) , F0 (Medium preload) , F1 (Heavy preload)							
Code of special carriage : No symbol, A, B, ...							
Rail type : R (Counter-bore type), T (Tapped hole type)(on the X axis)							
Rail length (mm)(on the X axis)							
Number of rails per axis : No symbol, II, III, IV ... (on the X axis)							
Rail hole pitch from start side (mm, E1)(on the X axis)							
Rail hole pitch to the end side (mm, E2)(on the X axis)							
Rail type : R (Counter-bore type), T (Tapped hole type)(on the Y axis)							
Rail length (mm)(on the Y axis)							
Number of rails per axis : No symbol, II, III, IV ... (on the Y axis)							
Rail hole pitch from start side (mm, E1)(on the Y axis)							
Rail hole pitch to the end side (mm, E2)(on the Y axis)							
Accuracy grade : P							
Code of special rail : No symbol, A, B ...							
Dust protection option of rail : No symbol, /CC, /MC, /MD (refer to Code of Contamination for Rail [B1-233])							



Accuracy Grade

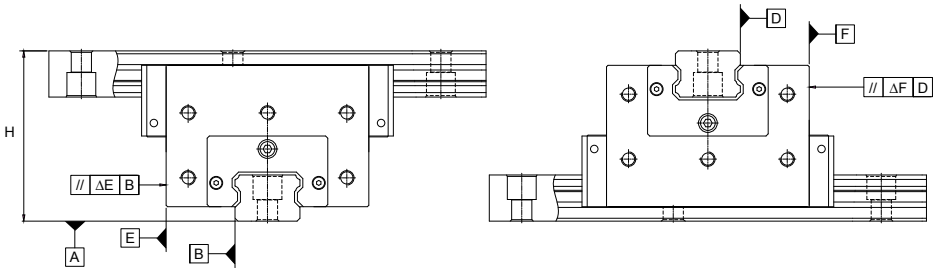


Table 5 Running Parallelism

Rail length (mm)		Running Parallelism Values (μm)
Above	Or less (incl.)	P
0	315	3
315	400	4
400	500	5
500	630	6
630	800	7
800	1000	8
1000	1250	10
1250	1600	11
1600	2000	13
2000	2500	15
2500	3000	16

Non-Interchangeable Type

Unit: mm

Model No.	Item	Accuracy Grade
		Precision P
20	Difference in height H	0.01
	Perpendicularity of surface D against surface B	0.005
	Running parallelism of surface E against surface B	ΔE (see the Table 5)
	Running parallelism of surface F against surface D	ΔF (see the Table 5)
30	Difference in height H	0.01
	Perpendicularity of surface D against surface B	0.01
	Running parallelism of surface E against surface B	ΔE (see the Table 5)
	Running parallelism of surface F against surface D	ΔF (see the Table 5)

Preload Grade

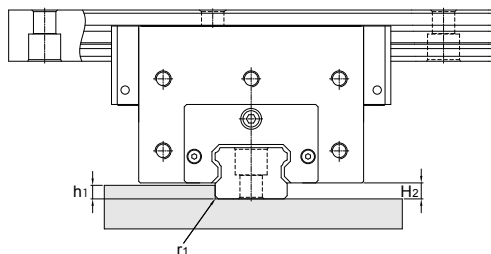
Series	Preload Grade		
	Light preload (FC)	Medium preload(F0)	Heavy preload(F1)
MSH20L	0~0.02C	0.03~0.05C	0.05~0.08C
MSH30L	0~0.02C	0.03~0.05C	0.05~0.08C

Note: C is basic dynamic load rating in above table. Refer to the specification of products, please.

The Shoulder Height and Corner Radius for Installation

MSH series

Unit: mm

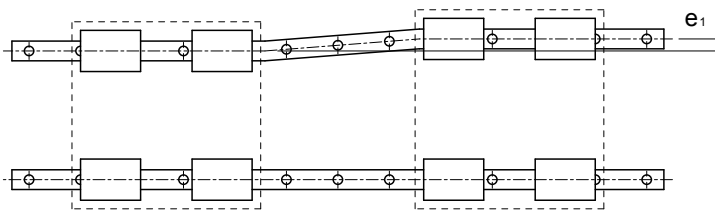


Model No.	r_1 (max.)	h_1 (max.)	H_2
20	0.5	3.5	5
30	1	5	8

Dimensional Tolerance of Mounting Surface

With the self alignment capability, the minor dimensional error in mounting surface could be compensated and achieves smooth linear motion. The tolerances of parallelism between two axes are shown as below.

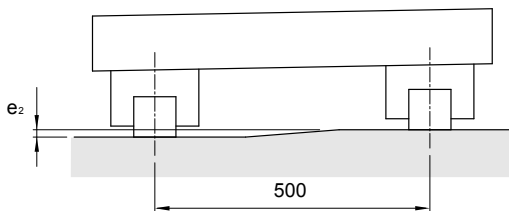
The parallel deviation between two axes (e_1)



Unit: μm

Model No.	Preload Grade		
	FC	F0	F1
20	25	20	18
30	40	30	27

Level difference between two axes (e_2)

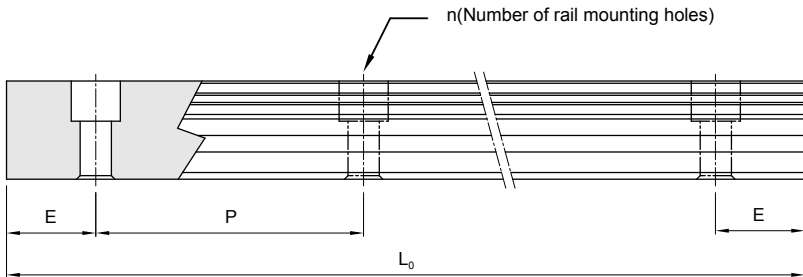


Unit: μm

Model No.	Preload Grade		
	FC	F0	F1
20	130	85	50
30	170	110	90

Note: The permissible values in table are applicable when the span is 500mm wide.

Rail Maximum Length and Standard



$$L_0 = (n-1) \times P + 2 \times E$$

L_0 : Total Length of rail (mm)

n : Number of mounting holes

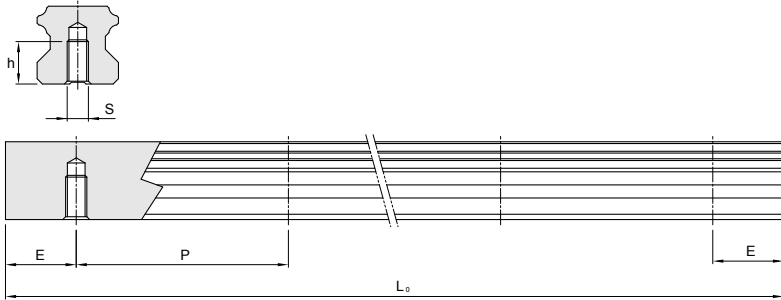
P : Distance between any two holes (mm)

E : Distance from the center of the last hole to the edge (mm)

Unit: mm

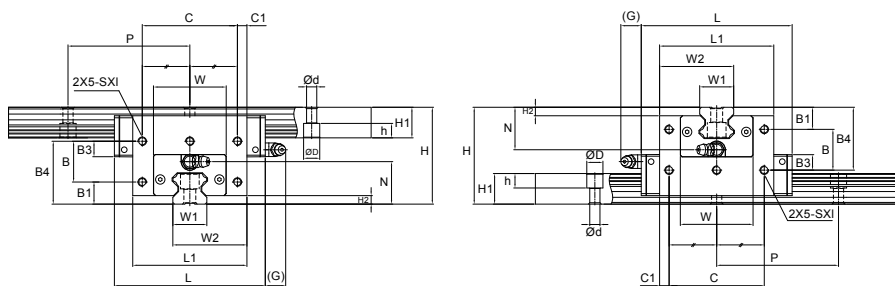
Model No.	Standard Pitch (P)	Standard ($E_{std.}$)	Minimum ($E_{min.}$)	Max (L_0 max.)
MSH20	60	20	6	3000
MSH30	80	20	8	3000

Tapped Hole Rail Dimensions



Rail Model	S	h(mm)
MSH20T	M6	10
MSH30T	M8	15

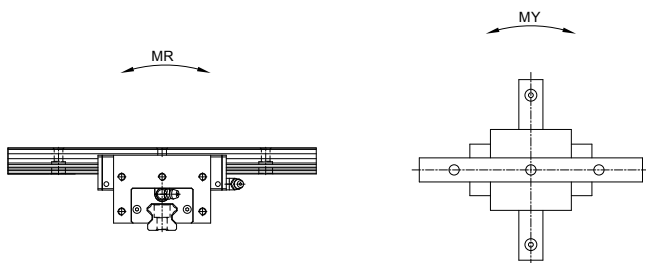
Dimensions of MSH-LS



Unit: mm

Model No.	External dimension			Carriage dimension											
	Height H	Width L1	Length L	B ₁	B ₃	B ₄	B	C	C1	S × ℓ	W	H ₂	N	G	Grease Nipple
MSH20LS	57	78	88.8	13	9.1	37	24	56	11	M5×8	42.7	5	25	12	G-M6
MSH30LS	82	93.6	119.2	21	11	53	32	76	8.8	M6×10	57	8	35	12	G-M6

Note: The basic dynamic load rating C of ball type is based on the 50 km for nominal life. The conversion between C for 50 km and C₁₀₀ for 100 km is $C = 1.26 \times C_{100}$.

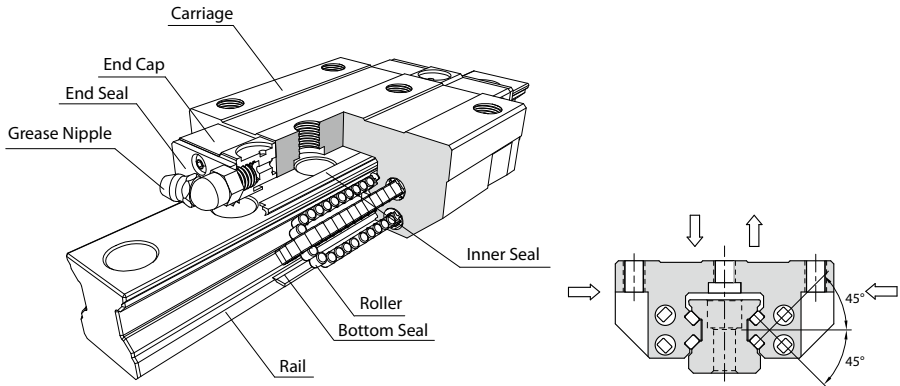


Unit: mm

Model No.	Rail dimension							Basic load rating		Static moment rating		Weight	
	Width W_1	Width W_2	Height H_1	Pitch P	E std.	$D \times h \times d$	Max Length	Dynamic C kN	Static C_0 kN	M_p kN-m	M_v kN-m	Carriage kg	Rail kg/m
MSH20LS	20	49	18	60	20	9.5×8.5×6	3000	23.3	39.3	0.38	0.39	1.55	2.4
MSH30LS	28	60.8	26	80	20	14×12×9	3000	47.9	77	1.05	1.07	5.6	4.8

Full Roller Type, MSR Series

Construction

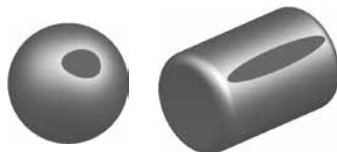


Characteristics

The full roller type linear guideway, MSR series, equip with rollers instead of the ball, and therefore the MSR series can provide higher rigidity and loading than the normal type with the same size. Especially suit for the requests of high accuracy, heavy load and high rigidity.

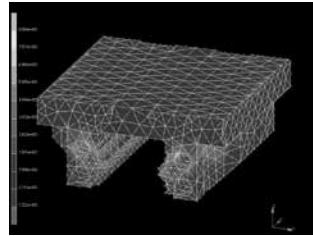
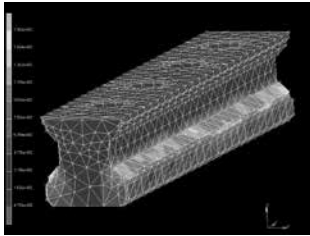
Ultra Heavy Load

MSR linear guideway through rollers have a line contact with carriage and rail. Relative to the general type linear guideway through balls have a point contact; the MSR type linear guideway can offer lower elastic deformation while bearing the same load. Base on the rollers have the same outer diameter with balls, the roller can bear the heavier load. The excellent characteristics of high rigidity and ultra heavy load can suitable for the high accuracy application that heavy load is processed even more.



The Optimization Design of Four Directional Load

Through the structure stress analysis of finite element method, MSR series have four trains of rollers are designed to a contact angle of 45° and the section design for high rigidity. Except for bearing heavier loads in radial, reversed radial and lateral directions, a sufficient preload can be achieved to increase rigidity, and this makes it suitable for any kind of installation.



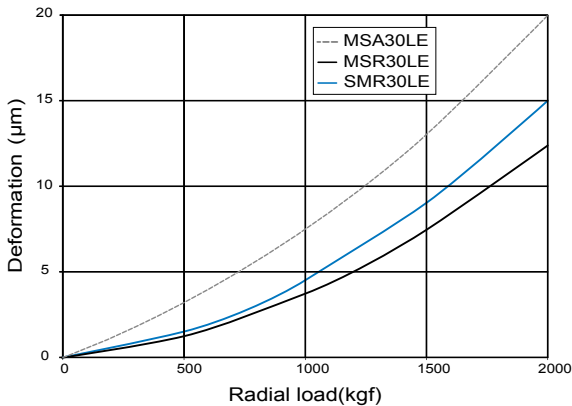
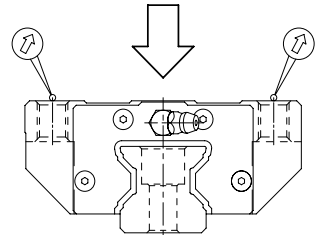
Ultra High Rigidity

Test data of rigidity

Test samples : Ball type MSA30LE with preload F1

Full roller type MSR30LE with preload F1

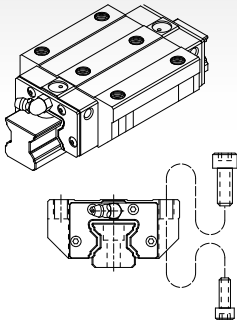
Roller chain type SMR30LE with preload F1



Carriage Type

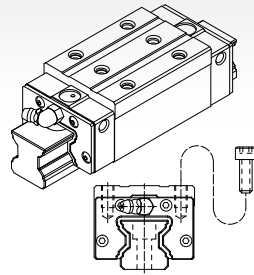
Heavy Load

MSR-E Type



This type offers the installation either from top or bottom side of carriage.

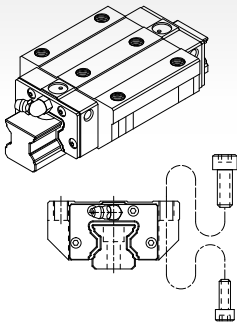
MSR-S Type



Square type with smaller width and can be installed from top side of carriage.

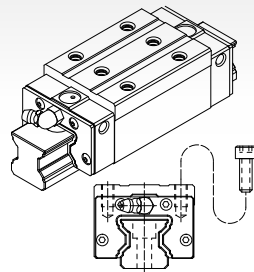
Ultra Heavy Load

MSR-LE Type



All dimensions are same as MSR-E except the length is longer, which makes it more rigid.

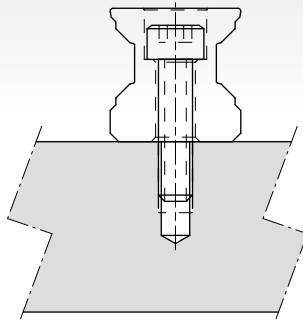
MSR-LS Type



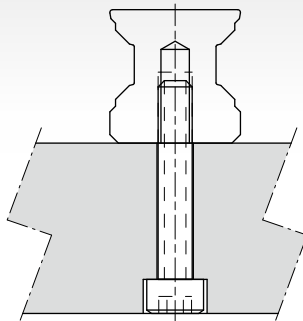
All dimensions are same as MSR-S except the length is longer, which makes it more rigid.

Rail Type

Counter Bore (R type)



Tapped Hole (T type)

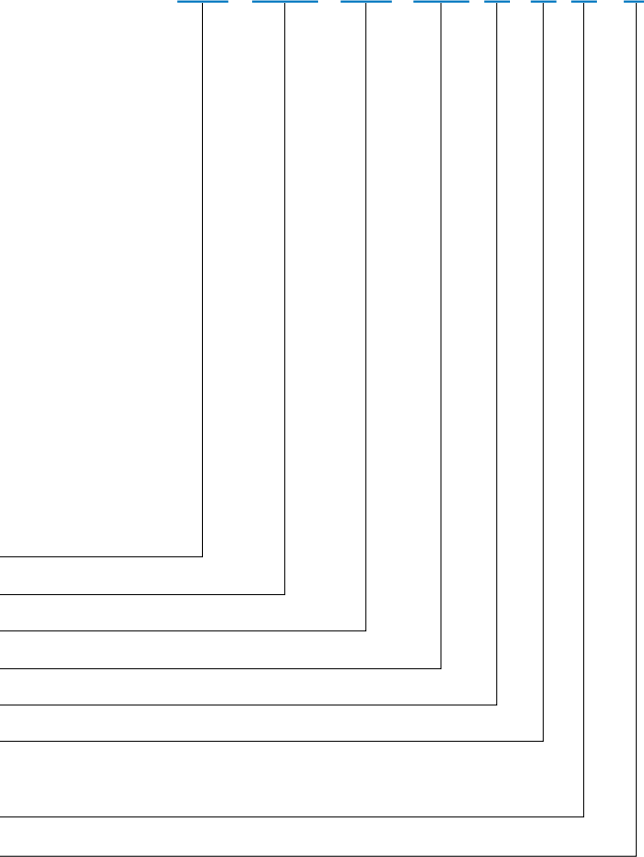


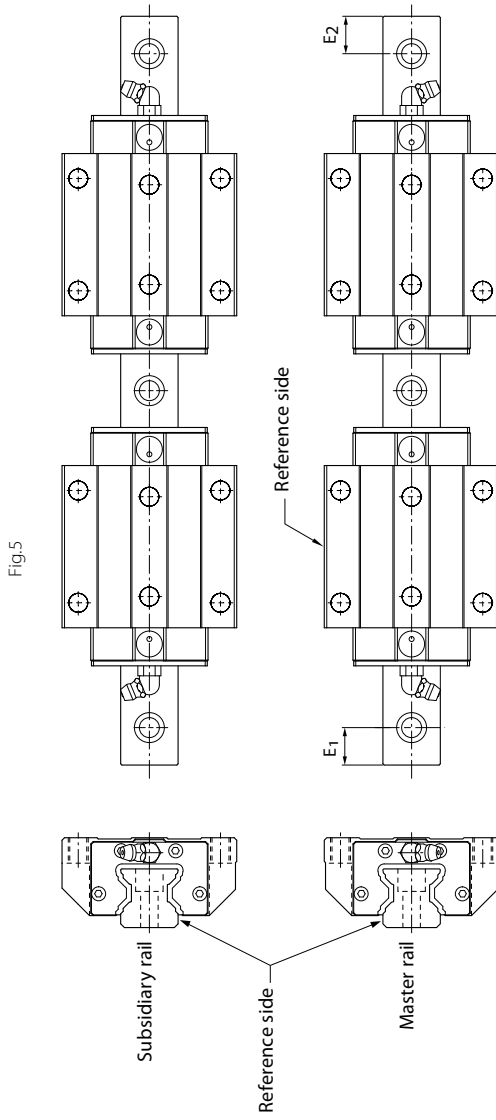
Description of Specification

Non-interchangeable Type

	MSR	25	E	2	SS	F0
Series : MSR						
Size : 20, 25, 30, 35, 45, 55, 65						
Carriage type : Heavy load E : Flange type, mounting either from top or bottom S : Square type Ultra heavy load (MSR20 have no ultra heavy load for option) LE : Flange type, mounting either from top or bottom LS : Square type						
Number of carriages per rail : 1, 2, 3 ...						
Dust protection option of carriage : No symbol, UU, SS, ZZ, DD, KK (refer to Dust Proof [B1-232])						
Preload : F0 (Medium preload), F1 (Heavy preload), F2 (Ultra Heavy Preload)						
Code of special carriage : No symbol, A, B, ...						
Rail type : R (Counter bore type), T (Tapped hole type)						
Rail length (mm)						
Rail hole pitch from start side (E1 see Fig.5)						
Rail hole pitch to the end side (E2 see Fig.5)						
Accuracy grade : H, P, SP, UP						
Code of special rail : No symbol, A, B ...						
Dust protection option of rail : No symbol, /CC, /CB, /MC, /MD ... (refer to Code of Contaminaiton for Rail [B1-233])						
Number of rails per axis : No symbol, II, III, IV ...						

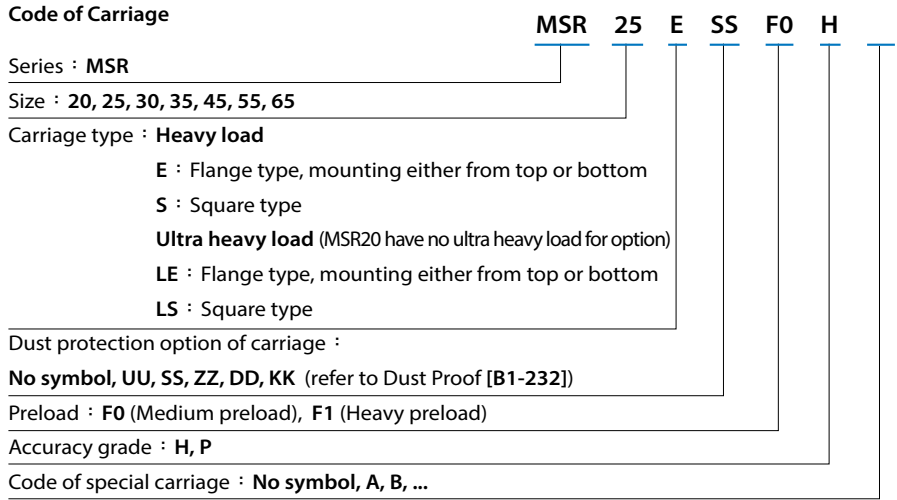
+ R 1200 - 20 / 20 P II



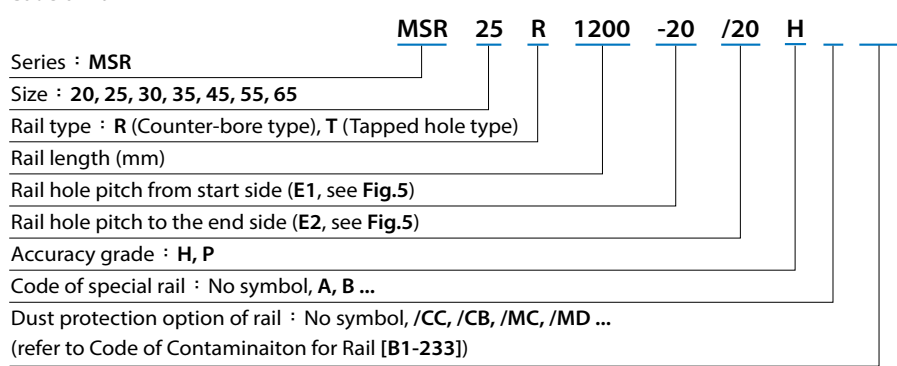


Interchangeable Type

Code of Carriage



Code of Rail



Accuracy Grade

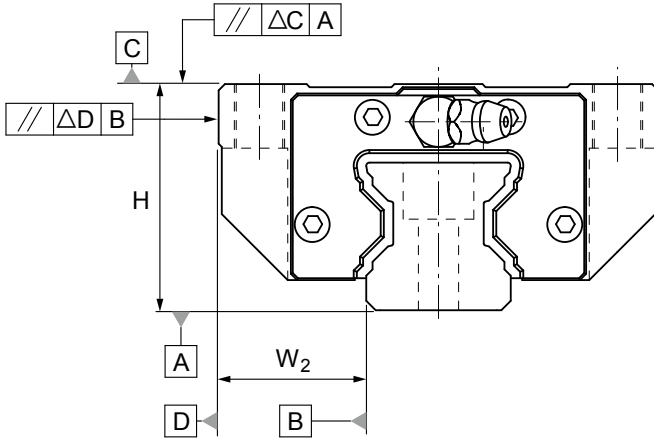


Table 6 Running Parallelism

Rail length (mm)		Running Parallelism Values(μm)			
Above	Or less (incl.)	H	P	SP	UP
0	315	6	3	2	1.5
315	400	8	4	2	1.5
400	500	9	5	2	1.5
500	630	11	6	2.5	1.5
630	800	12	7	3	2
800	1000	14	8	4	2
1000	1250	16	10	5	2.5
1250	1600	18	11	6	3
1600	2000	20	13	7	3.5
2000	2500	22	15	8	4
2500	3000	24	16	9	4.5
3000	3500	25	17	11	5
3500	4000	26	18	12	6

Non-Interchangeable Type

Model No.	Item.	Accuracy Grade			
		High H	Precision P	Super Precision SP	Ultra Precision UP
20	Tolerance for height H	±0.04	0 -0.04	0 -0.02	0 -0.01
	Height difference ΔH	0.015	0.007	0.005	0.003
25	Tolerance for distance W ₂	±0.04	0 -0.04	0 -0.02	0 -0.01
	Difference in distance W ₂ (ΔW ₂)	0.015	0.007	0.005	0.003
30	Running parallelism of surface C with surface A	ΔC (see the Table 6)			
	Running parallelism of surface D with surface B	ΔD (see the Table 6)			
35	Tolerance for height H	±0.05	0 -0.05	0 -0.03	0 -0.02
	Height difference ΔH	0.015	0.007	0.005	0.003
45	Tolerance for distance W ₂	±0.05	0 -0.05	0 -0.03	0 -0.02
	Difference in distance W ₂ (ΔW ₂)	0.02	0.01	0.007	0.005
55	Running parallelism of surface C with surface A	ΔC (see the Table 6)			
	Running parallelism of surface D with surface B	ΔD (see the Table 6)			
65	Tolerance for height H	±0.07	0 -0.07	0 -0.05	0 -0.03
	Height difference ΔH	0.02	0.01	0.007	0.005
65	Tolerance for distance W ₂	±0.07	0 -0.07	0 -0.05	0 -0.03
	Difference in distance W ₂ (ΔW ₂)	0.025	0.015	0.01	0.007
65	Running parallelism of surface C with surface A	ΔC (see the Table 6)			
	Running parallelism of surface D with surface B	ΔD (see the Table 6)			

Interchangeable Type

Model No.	Item.	Accuracy Grade	
		High H	Precision P
20	Tolerance for height H	± 0.04	0 -0.04
	Height difference ΔH	0.015	0.007
25	Tolerance for distance W_2	± 0.04	0 -0.04
30	Difference in distance $W_2(\Delta W_2)$	0.015	0.007
35	Running parallelism of surface C with surface A	ΔC (see the Table 6)	
	Running parallelism of surface D with surface B	ΔD (see the Table 6)	
45	Tolerance for height H	± 0.05	0 -0.05
	Height difference ΔH	0.015	0.007
55	Tolerance for distance W_2	± 0.05	0 -0.05
	Difference in distance $W_2(\Delta W_2)$	0.02	0.01
	Running parallelism of surface C with surface A	ΔC (see the Table 6)	
	Running parallelism of surface D with surface B	ΔD (see the Table 6)	
65	Tolerance for height H	± 0.07	0 -0.07
	Height difference ΔH	0.02	0.01
65	Tolerance for distance W_2	± 0.07	0 -0.07
	Difference in distance $W_2(\Delta W_2)$	0.025	0.015
	Running parallelism of surface C with surface A	ΔC (see the Table 6)	
	Running parallelism of surface D with surface B	ΔD (see the Table 6)	

Note: Definition of interchangeable: It is confined to the carriage on the single rail, not including the exchange of multiple rails and carriages.

Preload Grade

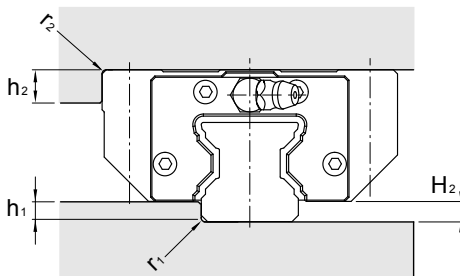
Series	Preload grade		
	Medium preload (F0)	Heavy preload(F1)	Ultra heavy preload(F2)
MSR20	0.04~0.06C	0.07~0.09C	0.12~0.14C
MSR25			
MSR30			
MSR35			
MSR45			
MSR55			
MSR25L	0.04~0.06C	0.07~0.09C	0.12~0.14C
MSR30L			
MSR35L			
MSR45L			
MSR55L			
MSR65L			

Note: C is basic dynamic load rating in above table. Refer to the specification of products, please.

The Shoulder Height and Corner Radius for Installation

MSR series

Unit: mm

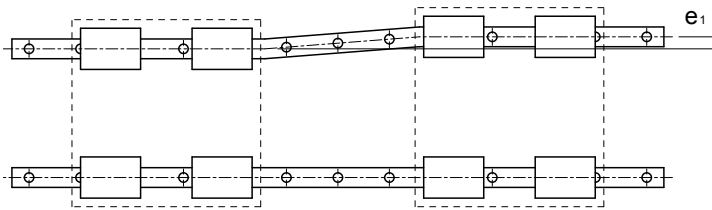


Model No.	r_1 (max.)	r_2 (max.)	h_1	h_2	H_2
20	0.5	0.5	3.5	5	4.6
25	0.5	0.5	4	8	4.8
30	0.5	0.5	5	8	6
35	1	1	5.5	10	6.5
45	1	1	6	12	8.1
55	1	1	8	15	10
65	1	1	10	15	12

Dimensional Tolerance of Mounting Surface

With the high rigidity, the minor dimensional error in mounting surface could be compensated and achieves smooth linear motion. The tolerances of parallelism between two axes are shown as below.

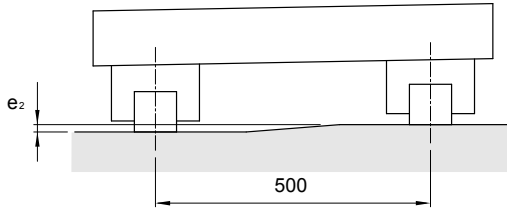
The parallel deviation between two axes (e_1)



Unit: μm

Model No.	Preload Grade		
	F0	F1	F2
20	7	5	3
25	9	7	5
30	11	8	6
35	14	10	7
45	17	13	9
55	21	14	11
65	27	18	14

Level difference between two axes (e_2)

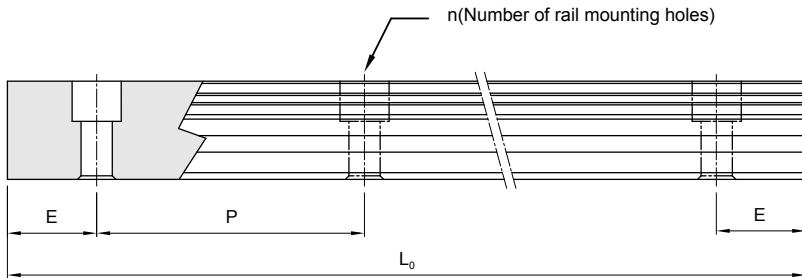


Unit: μm

Model No.	Preload Grade		
	F0	F1	F2
20	150	105	55
25			
30			
35			
45			
55			
65			

Note: The permissible values in table are applicable when the span is 500mm wide.

Rail Maximum Length and Standard



$$L_0 = (n-1) \times P + 2 \times E$$

L_0 : Total Length of rail (mm)

n : Number of mounting holes

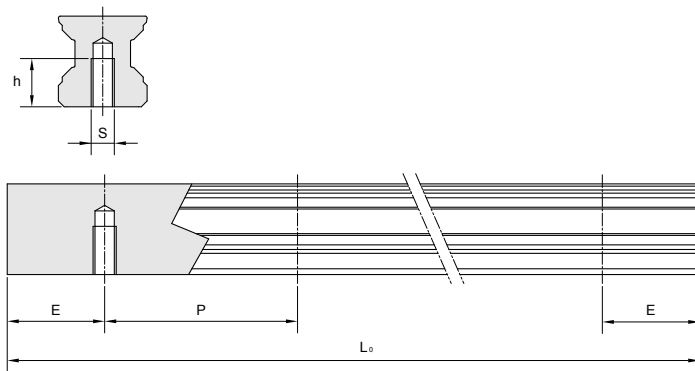
P : Distance between any two holes (mm)

E : Distance from the center of the last hole to the edge (mm)

Unit: mm

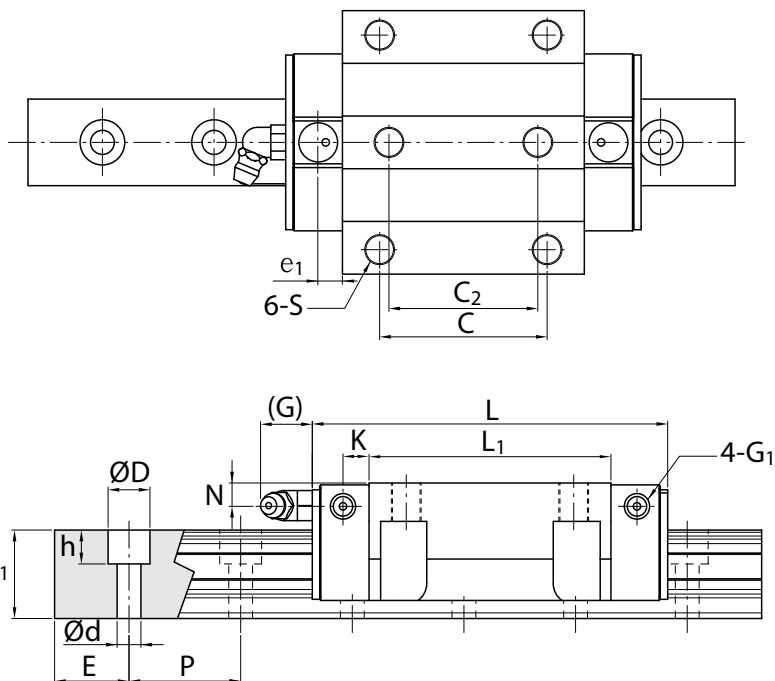
Model No.	Standard Pitch (P)	Standard ($E_{std.}$)	Minimum ($E_{min.}$)	Max ($L_0 \text{ max.}$)
MSR 20	30	20	6	4000
MSR 25	30	20	7	4000
MSR 30	40	20	8	4000
MSR 35	40	20	8	4000
MSR 45	52.5	22.5	11	4000
MSR 55	60	30	13	4000
MSR 65	75	35	14	4000

Tapped Hole Rail Dimensions



Rail Model	S	h(mm)
MSR 20T	M6	11
MSR 25T	M6	12
MSR 30T	M8	15
MSR 35T	M8	17
MSR 45T	M12	24
MSR 55T	M14	24
MSR 65T	M20	30

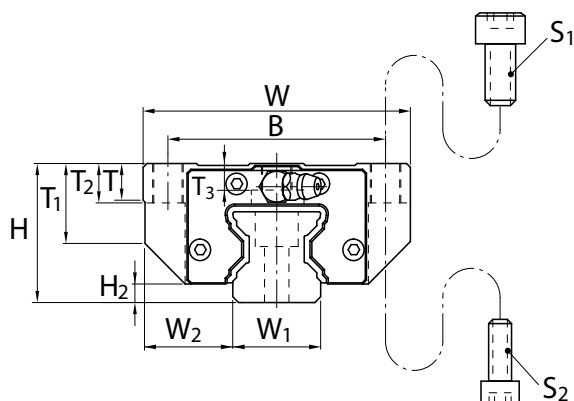
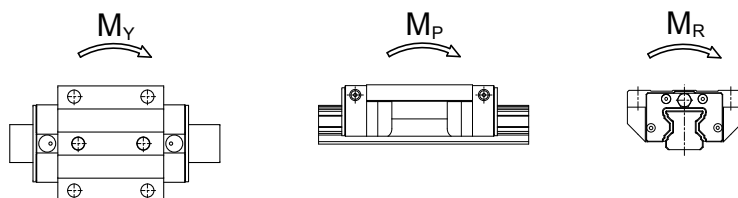
Dimensions of MSR-E / MSR-LE



Unit: mm

Model No.	External dimension				Carriage dimension														Grease Nipple	
	Height H	Width W	Length L	W ₂	H ₂	B	C	C ₂	S	L ₁	T	T ₁	T ₂	T ₃	N	G	K	e ₁		G ₁
MSR 20 E	30	63	89.8	21.5	4.6	53	40	35	M6	57.8	10	25.4	10	7.95	5	5.15	4	6.5	M4	G-M4
MSR 25 E	36	70	97.5	23.5	4.8	57	45	40	M8	65.5	9.5	20.2	10	5.8	6	12	6.6	6.5	M6	G-M6
MSR 25 LE			115.5							83.5										
MSR 30 E	42	90	112.4	31	6	72	52	44	M10	75.9	10	21.6	13	6.7	7	12	8	7	M6	G-M6
MSR 30 LE			135.2							98.7										
MSR 35 E	48	100	125.3	33	6.5	82	62	52	M10	82.3	12	27.5	15	9.5	8	12	8	7	M6	G-M6
MSR 35 LE			153.5							110.5										
MSR 45 E	60	120	154.2	37.5	8	100	80	60	M12	106.5	14.5	35.5	15	12.5	10	13.5	10	8	M6	G-PT 1/8
MSR 45 LE			189.4							141.7										
MSR 55 E	70	140	185.4	43.5	10	116	95	70	M14	129.5	17.5	41	18	15.5	11	13.5	12	7.95	M6	G-PT 1/8
MSR 55 LE			235.4							179.5										
MSR 65 LE	90	170	300.4	53.5	12	142	110	82	M16	230	19.5	56	20	26	16.5	13.5	12	8	M6	G-PT 1/8

Note: Single: Single carriage/ Double: Double carriages closely contacting with each other.

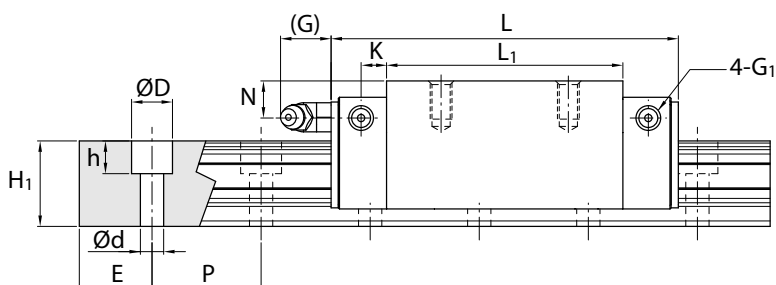
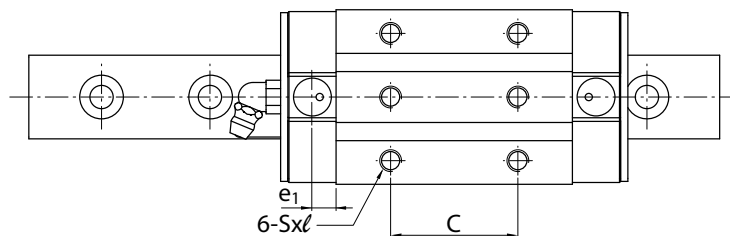


Model No.	Bolt Size	
	S ₁	S ₂
MSR 20	M6	-
MSR 25	M8	M6
MSR 30	M10	M8
MSR 35	M10	M8
MSR 45	M12	M10
MSR 55	M14	M12
MSR 65	M16	M14

Unit: mm

Model No.	Rail dimension					Basic load rating		Static moment rating				Weight		
	Width W ₁	Height H ₁	Pitch P	E std.	D × h × d	Dynamic C kN	Static C ₀ kN	M _p kN-m		M _y kN-m		M _r kN-m	Carriage kg	Rail kg/m
								Single*	Double*	Single*	Double*			
MSR 20 E	20	20	30	20	9.5×8.5×6	22.8	60.8	0.51	2.85	0.51	2.85	0.62	0.54	2.6
MSR 25 E	23	23.5	30	20	11×9×7	29.6	63.8	0.65	3.82	0.65	3.82	0.73	0.75	3.5
MSR 25 LE						36.3	82.9	1.08	5.94	1.08	5.94	0.95	0.95	
MSR 30 E	28	27.5	40	20	14×12×9	42.8	91.9	1.09	6.38	1.09	6.38	1.27	1.4	5
MSR 30 LE						54.0	124.0	1.96	10.60	1.96	10.60	1.75	1.72	
MSR 35 E	34	30.5	40	20	14×12×9	57.9	123.5	1.59	9.56	1.59	9.56	2.09	1.95	7
MSR 35 LE						73.9	169.0	2.94	16.18	2.94	16.18	2.85	2.45	
MSR 45 E	45	37	52.5	22.5	20×17×14	92.8	193.8	3.28	18.76	3.28	18.76	4.40	3.9	11.2
MSR 45 LE						117.2	261.6	5.90	31.32	5.90	31.32	5.94	4.5	
MSR 55 E	53	43	60	30	23×20×16	132.8	270.0	5.49	31.18	5.49	31.18	7.33	6	15.6
MSR 55 LE						172.5	378.0	10.60	55.58	10.60	55.58	10.28	7.9	
MSR 65 LE	63	52	75	35	26×22×18	277.0	624.0	22.50	117.87	22.50	117.87	20.02	17.6	22.4

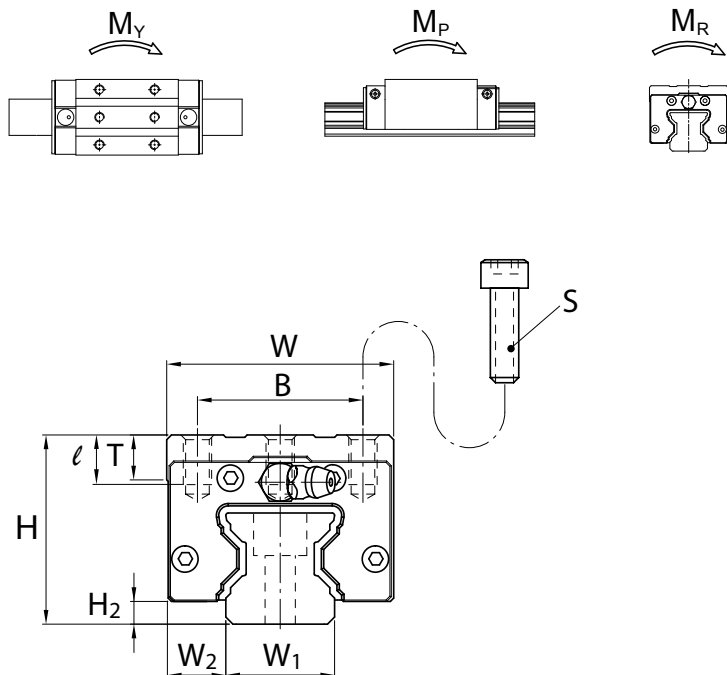
Dimensions of MSR-S / MSR-LS



Unit: mm

Model No.	External dimension					Carriage dimension												
	Height H	Width W	Length L	W ₂	H ₂	B	C	S	ℓ	L ₁	T	N	G	K	e ₁	G ₁	Grease Nipple	
MSR 20 S	30	44	89.8	12	4.6	32	36	M5	7	57.8	8	5	5.15	4	6.5	M4	G-M4	
MSR 25 S	40	48	97.5	12.5	4.8	35	35	M6	9	65.5	9.5	10	12	6.6	6.5	M6	G-M6	
MSR 25 LS			115.5							83.5								
MSR 30 S	45	60	112.4	16	6	40	40	M8	12	75.9	10	10	12	8	7	M6	G-M6	
MSR 30 LS			135.2							98.7								
MSR 35 S	55	70	125.3	18	6.5	50	50	M8	14	82.3	12	15	12	8	7	M6	G-M6	
MSR 35 LS			153.5							110.5								
MSR 45 S	70	86	154.2	20.5	8	60	60	M10	19	106.5	17	20	13.5	10	8	M6	G-PT 1/8	
MSR 45 LS			189.4							141.7								
MSR 55 S	80	100	185.4	23.5	10	75	75	M12	19	129.5	18	21	13.5	12	7.95	M6	G-PT 1/8	
MSR 55 LS			235.4							179.5								
MSR 65 LS	90	126	300.4	31.5	12	76	120	M16	20	230	19.5	16.5	13.5	12	8	M6	G-PT 1/8	

Note: Single: Single carriage/ Double: Double carriages closely contacting with each other.

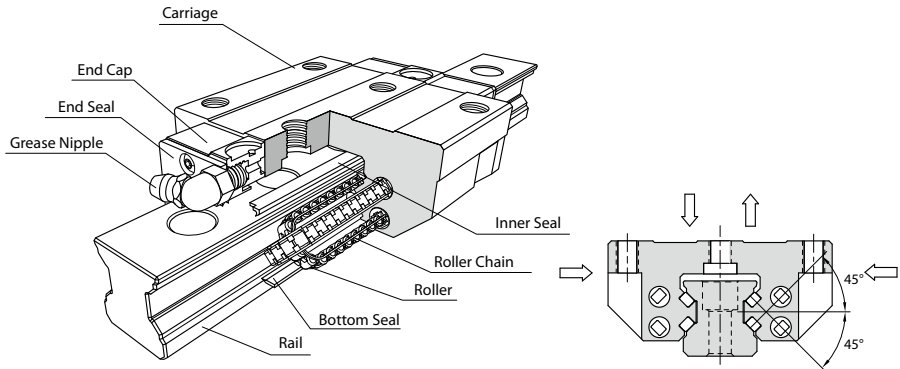


Unit: mm

Model No.	Rail dimension					Basic load rating		Static moment rating				Weight		
	Width W_1	Height H_1	Pitch P	E std.	D × h × d	Dynamic C kN	Static C_0 kN	M_p		M_v		M_R kN-m	Carriage kg	Rail kg/m
								Single*	Double*	Single*	Double*			
MSR 20 S	20	20	30	20	9.5×8.5×6	22.8	60.8	0.51	2.85	0.51	2.85	0.62	0.34	2.6
MSR 25 S	23	23.5	30	20	11×9×7	29.6	63.8	0.65	3.82	0.65	3.82	0.73	0.65	3.5
MSR 25 LS						36.3	82.9	1.08	5.94	1.08	5.94	0.95	0.85	
MSR 30 S	28	27.5	40	20	14×12×9	42.8	91.9	1.09	6.38	1.09	6.38	1.27	1	5
MSR 30 LS						54.0	124.0	1.96	10.60	1.96	10.60	1.72	1.22	
MSR 35 S	34	30.5	40	20	14×12×9	57.9	123.5	1.59	9.56	1.59	9.56	2.09	1.65	7
MSR 35 LS						73.9	169.0	2.94	16.18	2.94	16.18	2.85	2.15	
MSR 45 S	45	37	52.5	22.5	20×17×14	92.8	193.8	3.28	18.76	3.28	18.76	4.40	3.2	11.2
MSR 45 LS						117.2	261.6	5.90	31.32	5.90	31.32	5.94	4.1	
MSR 55 S	53	43	60	30	23×20×16	132.8	270.0	5.49	31.18	5.49	31.18	7.33	5.1	15.6
MSR 55 LS						172.5	378.0	10.60	55.58	10.60	55.58	10.26	7	
MSR 65 LS	63	52	75	35	26×22×18	277.0	624.0	22.50	117.87	22.50	117.87	20.02	13.3	22.4

Roller Chain Type, SMR Series

Construction

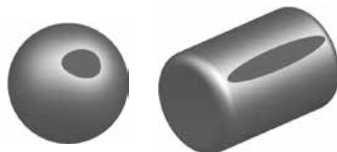


Characteristics

The roller chain type linear guideway, SMR series, equip with rollers instead of the ball, and therefore the SMR series can provide higher rigidity and loading than the normal type with the same size. Besides, the patent of roller chain design can make the movement smooth and stability, especially suit for the requests of high accuracy, heavy load and high rigidity.

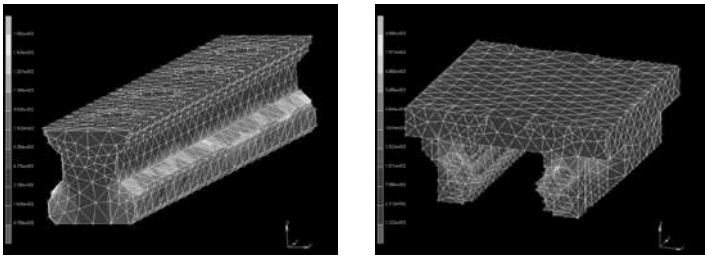
Ultra Heavy Load

SMR linear guideway through rollers have a line contact with carriage and rail. Relative to the general type linear guideway through balls have a point contact; the SMR type linear guideway can offer lower elastic deformation while bearing the same load. Base on the rollers have the same outer diameter with balls, the roller can bear the heavier load. The excellent characteristics of high rigidity and ultra heavy load can suitable for the high accuracy application that heavy load is processed even more.



The Optimization Design of Four Directional Load

Through the structure stress analysis of finite element method, SMR series have four trains of rollers are designed to a contact angle of 45° and the section design for high rigidity. Except for bearing heavier loads in radial, reversed radial and lateral directions, a sufficient preload can be achieved to increase rigidity, and this makes it suitable for any kind of installation.



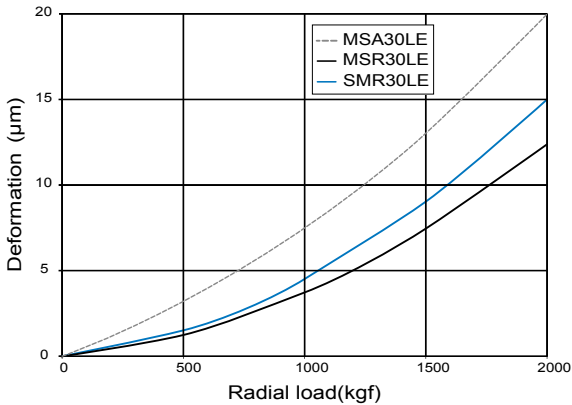
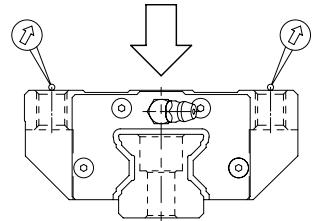
Ultra High Rigidity

Test data of rigidity

Test samples : Ball type MSA30LE with preload F1

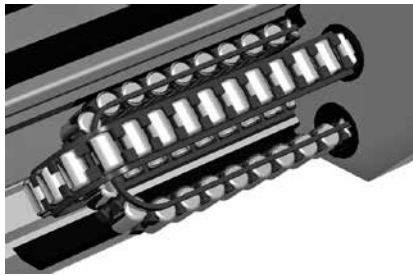
Full roller type MSR30LE with preload F1

Roller chain type SMR30LE with preload F1



Roller Chain Design, Smooth Movement

The concise and smooth design of circulating system with strengthened synthetic resin accessories and cooperating with the roller chain, these can avoid interference between rollers and make the rollers more stability during passing in and out the load district. Besides, the roller chain can keep the roller move in a line and improve the movement most smooth substantially.



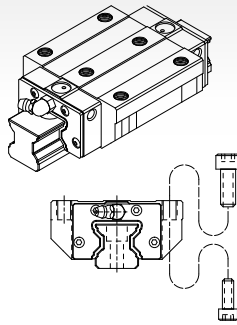
Low Noise, Good Lubricant Effect

The roller chain design avoids interference between rollers, lowers the operating noise, and can keep the lubricant between the rollers and roller chain effectively. Moreover, improve the movement smooth and service life of the whole, can meet high accuracy, high reliability and smooth and stability.

Carriage Type

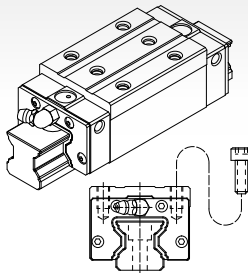
Heavy Load

SMR-E Type



This type offers the installation either from top or bottom side of carriage.

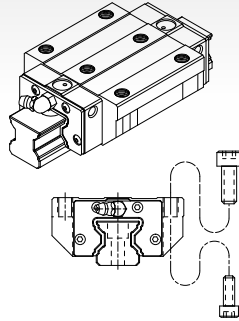
SMR-S Type



Square type with smaller width and can be installed from top side of carriage.

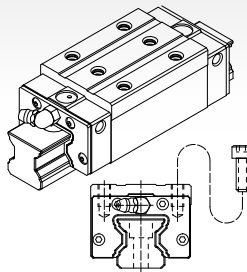
Ultra Heavy Load

SMR-LE Type



All dimensions are same as SMR-E except the length is longer, which makes it more rigid.

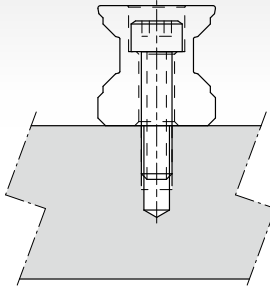
SMR-LS Type



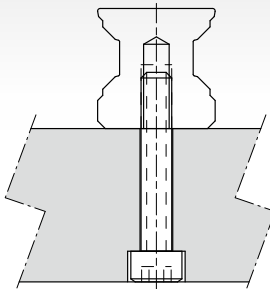
All dimensions are same as SMR-S except the length is longer, which makes it more rigid.

Rail Type

Counter Bore (R type)



Tapped Hole (T type)

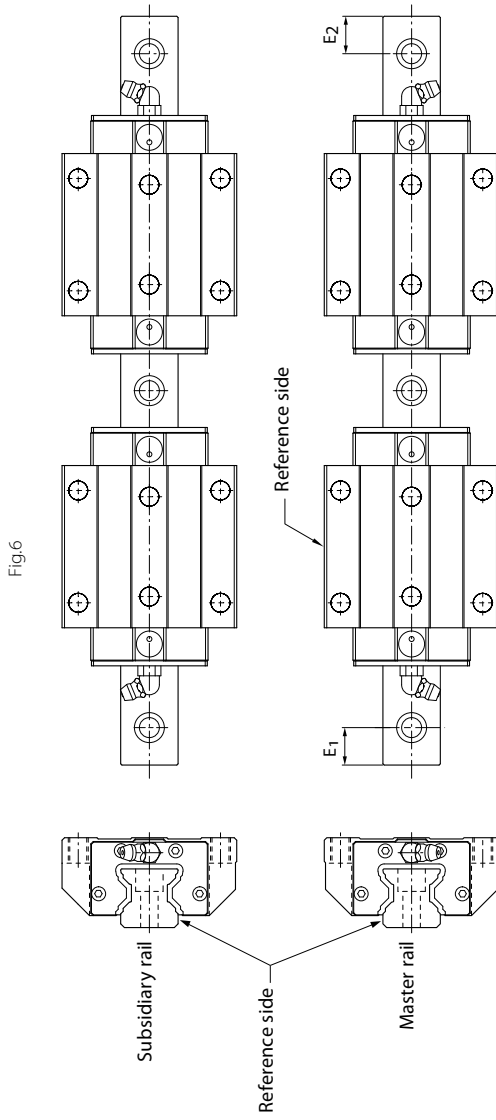


Description of Specification

Non-interchangeable Type

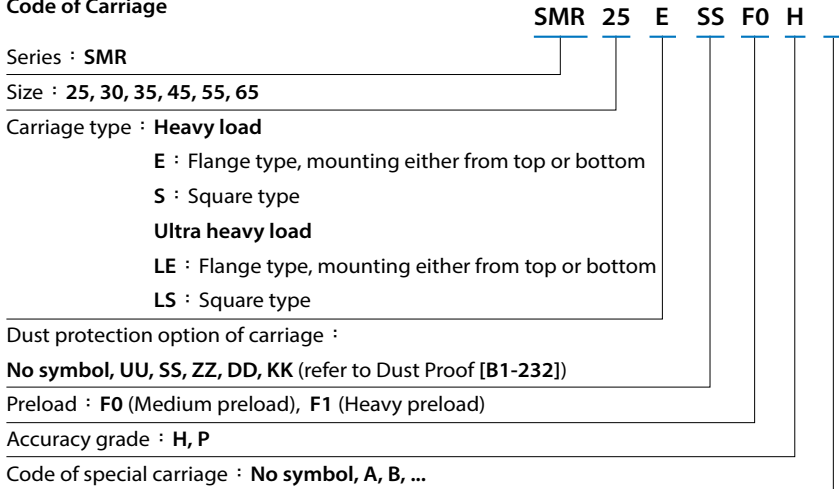
	SMR	25	E	2	SS	F0	
Series : SMR							
Size : 25, 30, 35, 45, 55, 65							
Carriage type : Heavy load							
E : Flange type, mounting either from top or bottom							
S : Square type							
Ultra heavy load							
LE : Flange type, mounting either from top or bottom							
LS : Square type							
Number of carriages per rail : 1, 2, 3 ...							
Dust protection option of carriage :							
No symbol, UU, SS, ZZ, DD, KK (refer to Dust Proof [B1-232])							
Preload : F0 (Medium preload), F1 (Heavy preload), F2 (Ultra Heavy Preload)							
Code of special carriage : No symbol, A, B, ...							
Rail type : R (Counter-bore type), T (Tapped hole type)							
Rail length (mm)							
Rail hole pitch from start side (E1 , see Fig.6)							
Rail hole pitch to the end side (E2 , see Fig.6)							
Accuracy grade : H, P, SP, UP							
Code of special rail : No symbol, A, B ...							
Dust protection option of rail : No symbol, /CC, /CB, /MC, /MD ... (refer to Code of Contaminaiton for Rail [B1-233])							
Number of rails per axis : No symbol, II, III, IV ...							

+R	1200	-20	/20	P			II

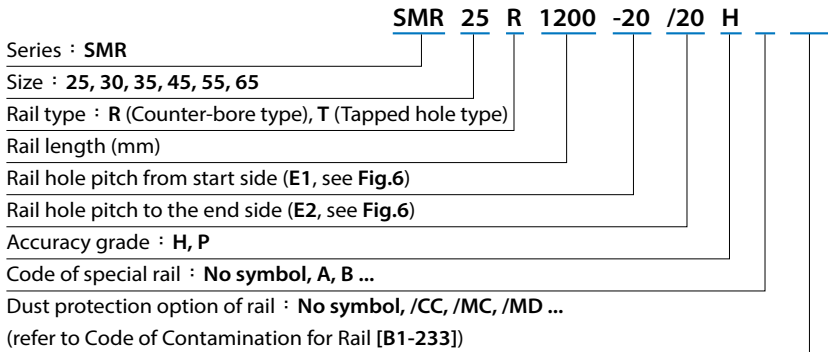


Interchangeable Type

Code of Carriage



Code of Rail



Accuracy Grade

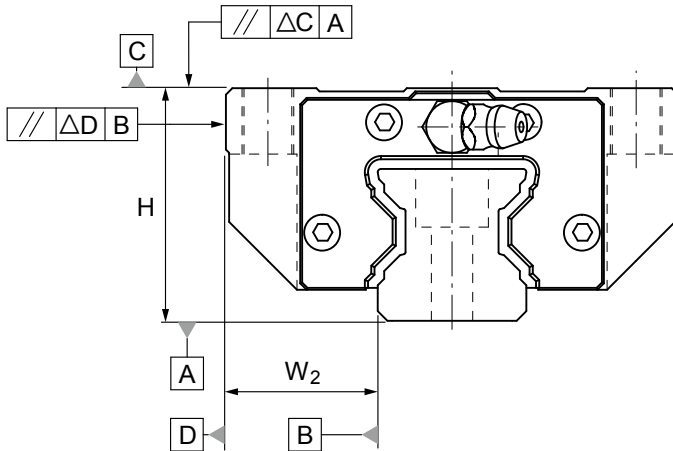


Table 7 Running Parallelism

Rail length (mm)		Running Parallelism Values(μm)			
Above	Or less (incl.)	H	P	SP	UP
0	315	6	3	2	1.5
315	400	8	4	2	1.5
400	500	9	5	2	1.5
500	630	11	6	2.5	1.5
630	800	12	7	3	2
800	1000	14	8	4	2
1000	1250	16	10	5	2.5
1250	1600	18	11	6	3
1600	2000	20	13	7	3.5
2000	2500	22	15	8	4
2500	3000	24	16	9	4.5
3000	3500	25	17	11	5
3500	4000	26	18	12	6

Non-Interchangeable Type

Model No.	Item	Accuracy Grade			
		High H	Precision P	Super Precision SP	Ultra Precision UP
25 30 35	Tolerance for height H	±0.04	0 -0.04	0 -0.02	0 -0.01
	Height difference ΔH	0.015	0.007	0.005	0.003
	Tolerance for distance W ₂	±0.04	0 -0.04	0 -0.02	0 -0.01
	Difference in distance W ₂ (ΔW ₂)	0.015	0.007	0.005	0.003
	Running parallelism of surface C with surface A	ΔC (see the Table 7)			
	Running parallelism of surface D with surface B	ΔD (see the Table 7)			
45 55	Tolerance for height H	±0.05	0 -0.05	0 -0.03	0 -0.02
	Height difference ΔH	0.015	0.007	0.005	0.003
	Tolerance for distance W ₂	±0.05	0 -0.05	0 -0.03	0 -0.02
	Difference in distance W ₂ (ΔW ₂)	0.02	0.01	0.007	0.005
	Running parallelism of surface C with surface A	ΔC (see the Table 7)			
	Running parallelism of surface D with surface B	ΔD (see the Table 7)			
65	Tolerance for height H	±0.07	0 -0.07	0 -0.05	0 -0.03
	Height difference ΔH	0.02	0.01	0.007	0.005
	Tolerance for distance W ₂	±0.07	0 -0.07	0 -0.05	0 -0.03
	Difference in distance W ₂ (ΔW ₂)	0.025	0.015	0.01	0.007
	Running parallelism of surface C with surface A	ΔC (see the Table 7)			
	Running parallelism of surface D with surface B	ΔD (see the Table 7)			

Interchangeable Type

Model No.	Item	Accuracy Grade	
		High H	Precision P
25 30 35	Tolerance for height H	± 0.04	0 -0.04
	Height difference ΔH	0.015	0.007
	Tolerance for distance W_2	± 0.04	0 -0.04
	Difference in distance $W_2(\Delta W_2)$	0.015	0.007
	Running parallelism of surface C with surface A	ΔC (see the Table 7)	
	Running parallelism of surface D with surface B	ΔD (see the Table 7)	
45 55	Tolerance for height H	± 0.05	0 -0.05
	Height difference ΔH	0.015	0.007
	Tolerance for distance W_2	± 0.05	0 -0.05
	Difference in distance $W_2(\Delta W_2)$	0.02	0.01
	Running parallelism of surface C with surface A	ΔC (see the Table 7)	
	Running parallelism of surface D with surface B	ΔD (see the Table 7)	
65	Tolerance for height H	± 0.07	0 -0.07
	Height difference ΔH	0.02	0.01
	Tolerance for distance W_2	± 0.07	0 -0.07
	Difference in distance $W_2(\Delta W_2)$	0.025	0.015
	Running parallelism of surface C with surface A	ΔC (see the Table 7)	
	Running parallelism of surface D with surface B	ΔD (see the Table 7)	

Note: Definition of interchangeable: It is confined to the carriage on the single rail, not including the exchange of multiple rails and carriages.

Preload Grade

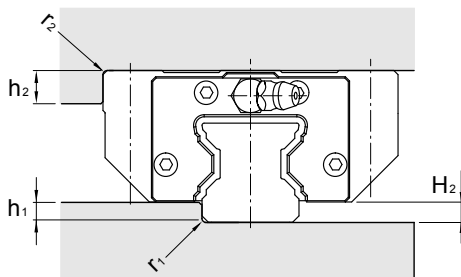
Series	Preload grade		
	Medium preload (F0)	Heavy preload (F1)	Ultra Heavy Preload (F2)
SMR25	0.04~0.06C	0.07~0.09C	0.12~0.14C
SMR30			
SMR35			
SMR45			
SMR55			
SMR25L	0.04~0.06C	0.07~0.09C	0.12~0.14C
SMR30L			
SMR35L			
SMR45L			
SMR55L			
SMR65L			

Note: C is basic dynamic load rating in above table. Refer to the specification of products, please.

The Shoulder Height and Corner Radius for Installation

SMR series

Unit: mm

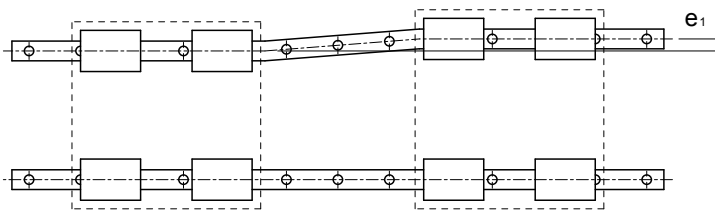


Model No.	r_1 (max.)	r_2 (max.)	h_1	h_2	H_2
25	0.5	0.5	4	8	4.8
30	0.5	0.5	5	8	6
35	1	1	5.5	10	6.5
45	1	1	6	12	8.1
55	1	1	8	15	10
65	1	1	10	15	12

Dimensional Tolerance of Mounting Surface

SMR with the high rigidity, the minor dimensional error in mounting surface could be compensated and achieves smooth linear motion. The tolerances of parallelism between two axes are shown as below.

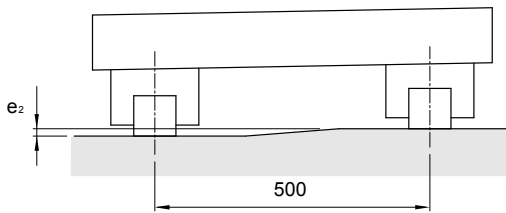
The parallel deviation between two axes (e_1)



Unit: μm

Model No.	Preload Grade		
	F0	F1	F2
25	9	7	5
30	11	8	6
35	14	10	7
45	17	13	9
55	21	14	11
65	27	18	14

Level difference between two axes (e_2)

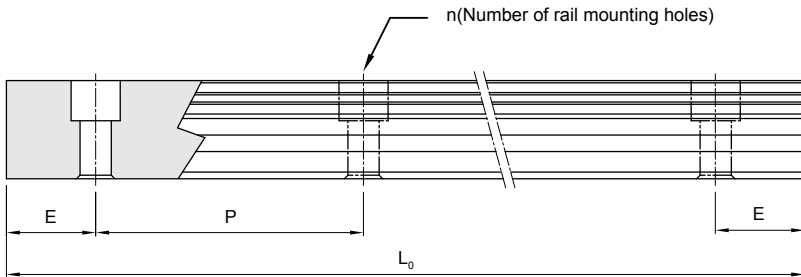


Unit: μm

Model No.	Preload Grade		
	F0	F1	F2
25	150	105	55
30			
35			
45			
55			
65			

Note: The permissible values in table are applicable when the span is 500mm wide.

Rail Maximum Length and Standard



$$L_0 = (n-1) \times P + 2 \times E$$

L_0 : Total Length of rail (mm)

n : Number of mounting holes

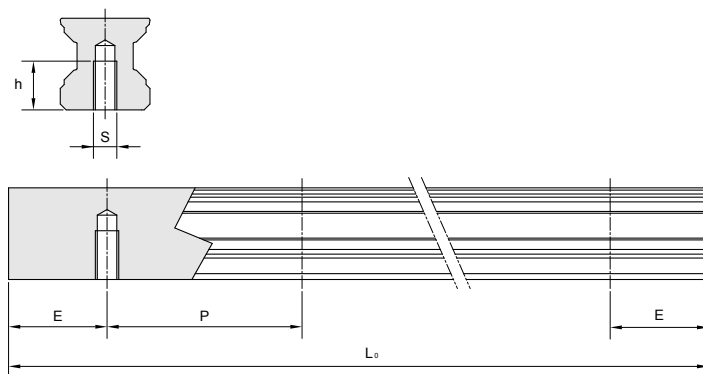
P : Distance between any two holes (mm)

E : Distance from the center of the last hole to the edge (mm)

Unit: mm

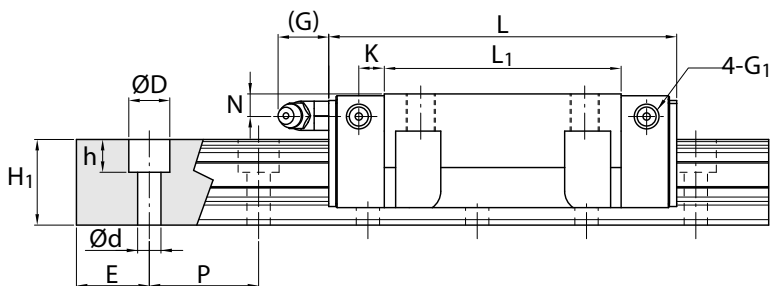
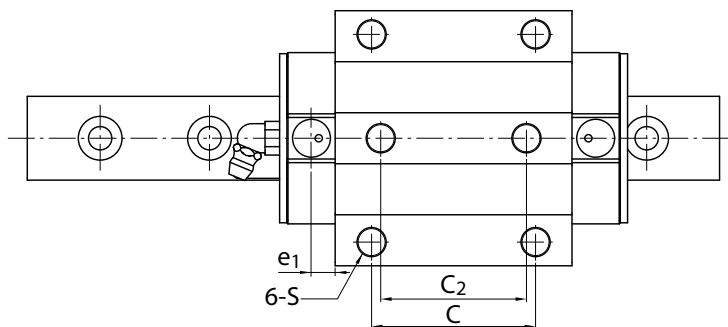
Model No.	Standard Pitch (P)	Standard ($E_{std.}$)	Minimum ($E_{min.}$)	Max (L_0 max.)
SMR 25	30	20	7	4000
SMR 30	40	20	8	4000
SMR 35	40	20	8	4000
SMR 45	52.5	22.5	11	4000
SMR 55	60	30	13	4000
SMR 65	75	35	14	4000

Tapped Hole Rail Dimensions



Rail Model	S	h(mm)
SMR 25 T	M6	12
SMR 30 T	M8	15
SMR 35 T	M8	17
SMR 45 T	M12	24
SMR 55 T	M14	24
SMR 65 T	M20	30

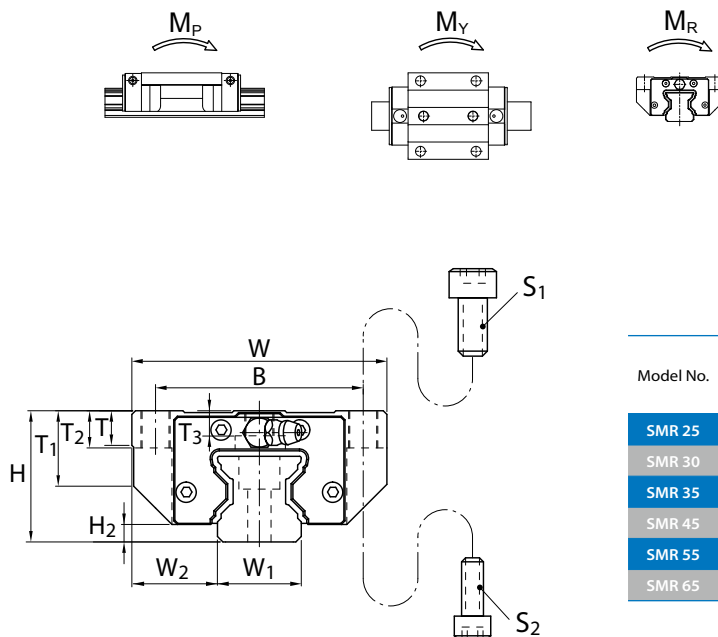
Dimensions of SMR-E / SMR-LE



Unit: mm

Model No.	External dimension				Carriage dimension														Grease Nipple	
	Height H	Width W	Length L	W_2	H_2	B	C	C_2	S	L_1	T	T_1	T_2	T_3	N	G	K	e_1		G_1
SMR 25 E SMR 25 LE	36	70	97.5 115.5	23.5	4.8	57	45	40	M8	65.5 83.5	9.5	20.2	10	5.8	6	12	6.6	6.5	M6	G-M6
SMR 30 E SMR 30 LE	42	90	112.4 135.2	31	6	72	52	44	M10	75.9 98.7	10	21.6	13	6.7	7	12	8	7	M6	G-M6
SMR 35 E SMR 35 LE	48	100	125.3 153.5	33	6.5	82	62	52	M10	82.3 110.5	12	27.5	15	9.5	8	12	8	7	M6	G-M6
SMR 45 E SMR 45 LE	60	120	154.2 189.4	37.5	8	100	80	60	M12	106.5 141.7	14.5	35.5	15	12.5	10	13.5	10	8	M6	G-PT 1/8
SMR 55 E SMR 55 LE	70	140	185.4 235.4	43.5	10	116	95	70	M14	129.5 179.5	17.5	41	18	15.5	11	13.5	12	7.95	M6	G-PT 1/8
SMR 65 LE	90	170	300.4	53.5	12	142	110	82	M16	230	19.5	56	20	26	16.5	13.5	12	8	M6	G-PT 1/8

Note*: Single: Single carriage/ Double: Double carriages closely contacting with each other.

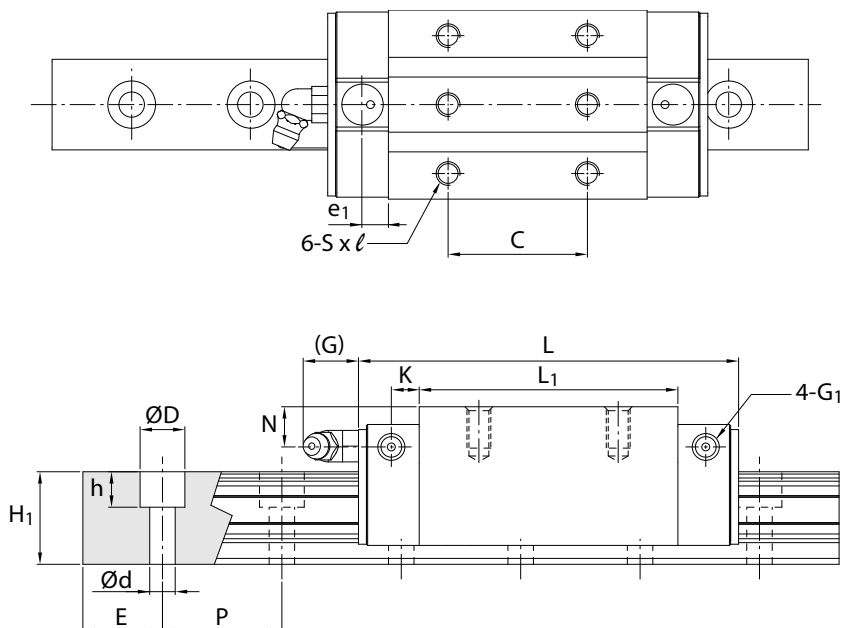


Model No.	Bolt Size	
	S ₁	S ₂
SMR 25	M8	M6
SMR 30	M10	M8
SMR 35	M10	M8
SMR 45	M12	M10
SMR 55	M14	M12
SMR 65	M16	M14

Unit: mm

Model No.	Rail dimension					Basic load rating		Static moment rating					Weight	
	Width W ₁	Height H ₁	Pitch P	E std.	D × h × d	Dynamic C kN	Static C ₀ kN	M _p kN-m		M _v kN-m		M _R kN-m	Carriage kg	Rail kg/m
								Single*	Double*	Single*	Double*			
SMR 25 E SMR 25 LE	23	23.5	30	20	11×9×7	27.4 33.1	57.4 73.3	0.63 1.01	3.63 5.49	0.63 1.01	3.63 5.49	0.66 0.84	0.75 0.95	3.5
SMR 30 E SMR 30 LE	28	27.5	40	20	14×12×9	39.5 49.4	82.7 110.3	1.01 1.78	5.90 9.60	1.01 1.78	5.90 9.60	1.15 1.53	1.4 1.72	5
SMR 35 E SMR 35 LE	34	30.5	40	20	14×12×9	55.6 69.6	117.0 156.0	1.63 2.86	9.59 15.57	1.63 2.86	9.59 15.57	1.98 2.63	1.95 2.45	7
SMR 45 E SMR 45 LE	45	37	52.5	22.5	20×17×14	89.3 110.6	184.1 242.2	3.27 5.6	18.48 29.56	3.27 5.6	18.48 29.56	4.18 5.5	3.9 4.5	11.2
SMR 55 E SMR 55 LE	53	43	60	30	23×20×16	127.8 163.2	256.5 351.0	5.51 10.16	30.89 53.02	5.51 10.16	30.89 53.02	6.96 9.52	6 7.9	15.6
SMR 65 LE	63	52	75	35	26×22×18	263.5	583.7	21.49	111.99	21.49	111.99	18.73	17.6	22.4

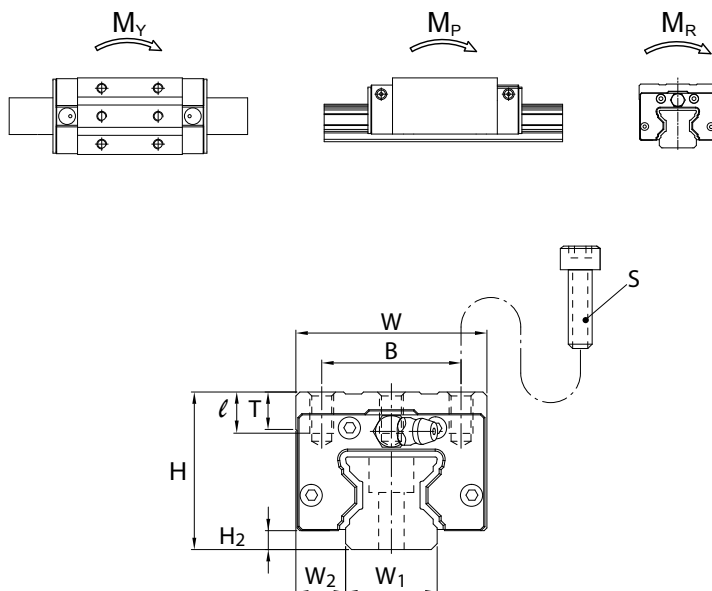
Dimensions of SMR-S / SMR-LS



Unit: mm

Model No.	External dimension					Carriage dimension												Grease Nipple
	Height H	Width W	Length L	W ₂	H ₂	B	C	S	ℓ	L ₁	T	N	G	K	e ₁	G ₁		
SMR 25 S SMR 25 LS	40	48	97.5 115.5	12.5	4.8	35	35 50	M6	10.5	65.5 83.5	9.5	10	12	6.6	6.5	M6	G-M6	
SMR 30 S SMR 30 LS	45	60	112.4 135.2	16	6	40	40 60	M8	12	75.9 98.7	10	10	12	8	7	M6	G-M6	
SMR 35 S SMR 35 LS	55	70	125.3 153.5	18	6.5	50	50 72	M8	14	82.3 110.5	12	15	12	8	7	M6	G-M6	
SMR 45 S SMR 45 LS	70	86	154.2 189.4	20.5	8	60	60 80	M10	19	106.5 141.7	17	20	13.5	10	8	M6	G-PT 1/8	
SMR 55 S SMR 55 LS	80	100	185.4 235.4	23.5	10	75	75 95	M12	19	129.5 179.5	18	21	13.5	12	7.95	M6	G-PT 1/8	
SMR 65 LS	90	126	300.4	31.5	12	76	120	M16	20	230	19.5	16.5	13.5	12	8	M6	G-PT 1/8	

Note*: Single: Single carriage/ Double: Double carriages closely contacting with each other.

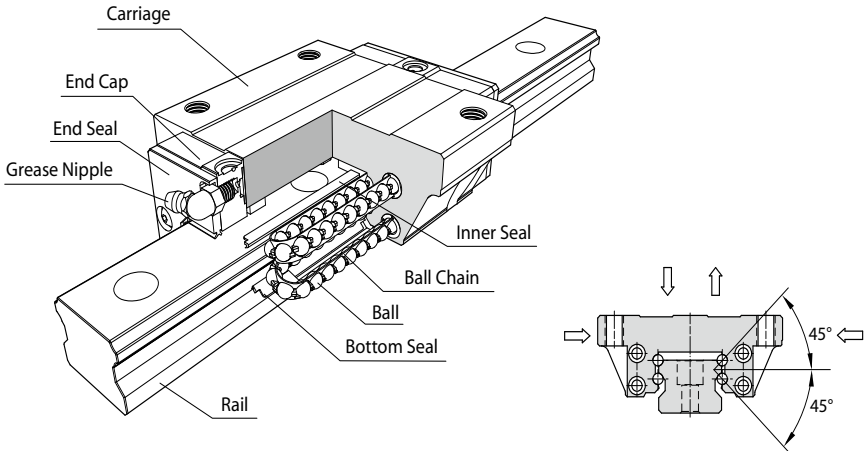


Unit: mm

Model No.	Rail dimension					Basic load rating		Static moment rating				Weight		
	Width W_1	Height H_1	Pitch P	E std.	D × h × d	Dynamic C kN	Static C_0 kN	M_p kN-m		M_y kN-m		M_R kN-m	Carriage kg	Rail kg/m
								Single*	Double*	Single*	Double*			
SMR 25 S SMR 25 LS	23	23.5	30	20	11×9×7	27.4 33.1	57.4 73.3	0.63 1.01	3.63 5.49	0.63 1.01	3.63 5.49	0.66 0.84	0.65 0.85	3.5
SMR 30 S SMR 30 LS	28	27.5	40	20	14×12×9	39.5 49.4	82.7 110.3	1.01 1.78	5.90 9.60	1.01 1.78	5.90 9.60	1.15 1.53	1 1.22	5
SMR 35 S SMR 35 LS	34	30.5	40	20	14×12×9	55.6 69.6	117.0 156.0	1.63 2.86	9.59 15.57	1.63 2.86	9.59 15.57	1.98 2.63	1.65 2.15	7
SMR 45 S SMR 45 LS	45	37	52.5	22.5	20×17×14	89.3 110.6	184.1 242.2	3.27 5.6	18.48 29.56	3.27 5.6	18.48 29.56	4.18 5.5	3.2 4.1	11.2
SMR 55 S SMR 55 LS	53	43	60	30	23×20×16	127.8 163.2	256.5 351.0	5.51 10.16	30.89 53.02	5.51 10.16	30.89 53.02	6.96 9.52	5.1 7	15.6
SMR 65 LS	63	52	75	35	26×22×18	263.5	583.7	21.43	111.99	21.43	111.99	18.73	13.3	22.4

Ball Chain Type, SME Series

Construction



Characteristics

The ball chain type linear guideway, SME series, equip with the patent of ball chain design can make the movement smooth and stability, especially suit for the requests of high speed, high accuracy.

The Optimization Design of Four Directional Load

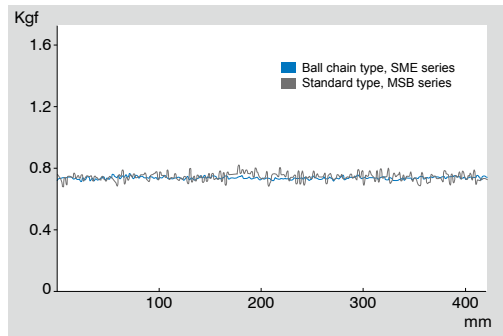
Through the structure stress analysis, SME series have four trains of balls are designed to a circular contact angle of 45° and the section design for high rigidity. Except for bearing heavier loads in radial, reversed radial and lateral directions, a sufficient preload can be achieved to increase rigidity, and this makes it suitable for any kind of installation.

Self Alignment Capability

The self adjustment is performed spontaneously as the design of face-face (DF) circular arc groove. Therefore, the installation error could be compensated even under a preload, and which results in precise and smooth linear motion.

Ball Chain Design, Smooth Movement

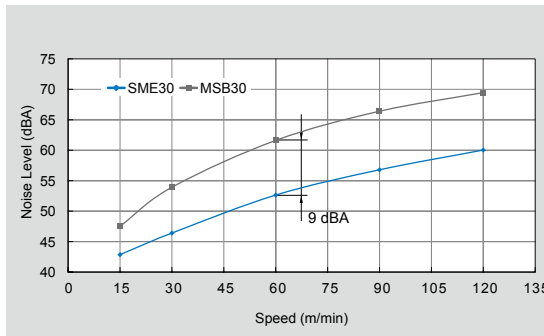
The concise and smooth design of circulating system with strengthened synthetic resin accessories and cooperating with the ball chain, these can avoid interference between balls and make the balls more stability during passing in and out the load district. Besides, the ball chain can keep the ball move in a line and improve the movement most smooth substantially.



Rolling resistance test

Low Noise, Good Lubricant Effect

The ball chain design avoids interference between balls, lowers the operating noise, and can keep the lubricant between the balls and ball chain effectively. Moreover, improve the movement smooth and service life of the whole, can meet high accuracy, high reliability and smooth and stability.

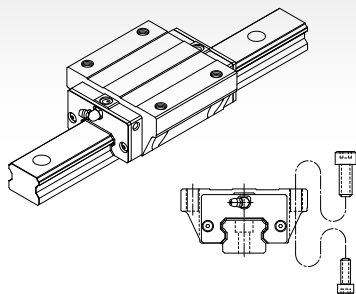


Noise level comparison test

Carriage Type

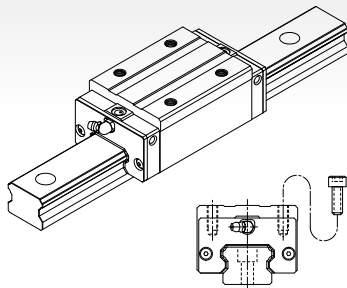
Heavy Load

SME-EA Type



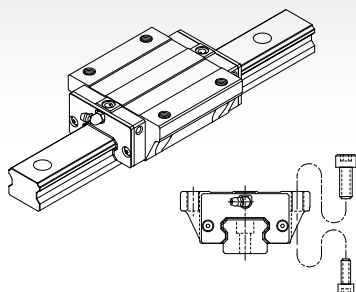
This type offers the installation either from top or bottom side of carriage.

SME-SA Type



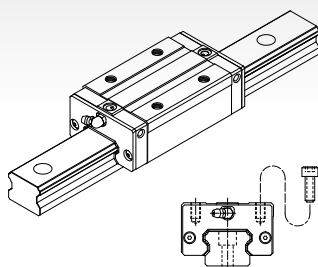
Square type with smaller width and can be installed from top side of carriage.

SME-EB Type



All dimensions are same as SME-EA except the mounting hole dimensions of carriage are different and the height is lower, which do not change the basic loading rating.

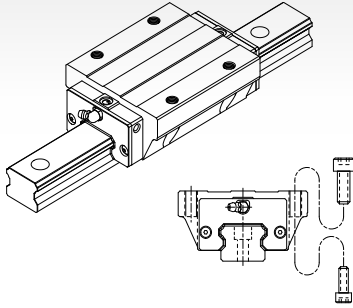
SME-SB / SME-SV Type



All dimensions are same as SME-SA except the mounting hole dimensions of carriage are different and the height is lower, which do not change the basic loading rating.

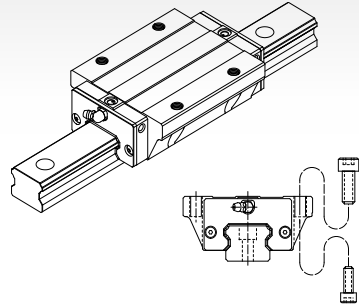
Ultra Heavy Load

SME-LEA Type



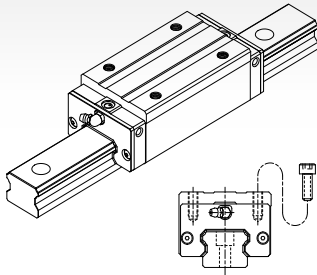
All dimensions are same as SME-EA except the length is longer, which makes it more rigid.

SME-LEB Type



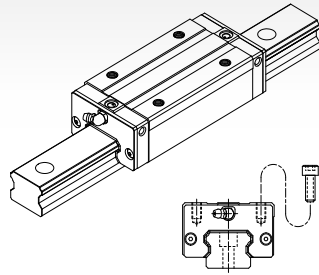
All dimensions are same as SME-EB except the length is longer, which makes it more rigid.

SME-LSA Type



All dimensions are same as SME-SA except the length is longer, which makes it more rigid.

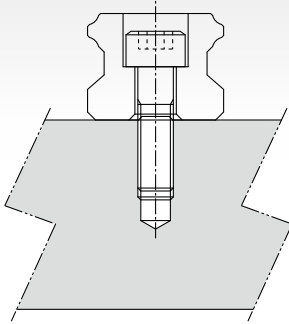
SME-LSB / SME-LSV Type



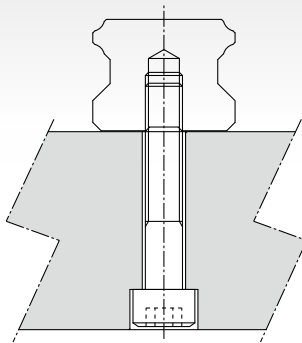
All dimensions are same as SME-SB and SME-SV except the length is longer, which makes it more rigid.

Rail Type

Counter Bore(R type)



Tapped Hole(T type)



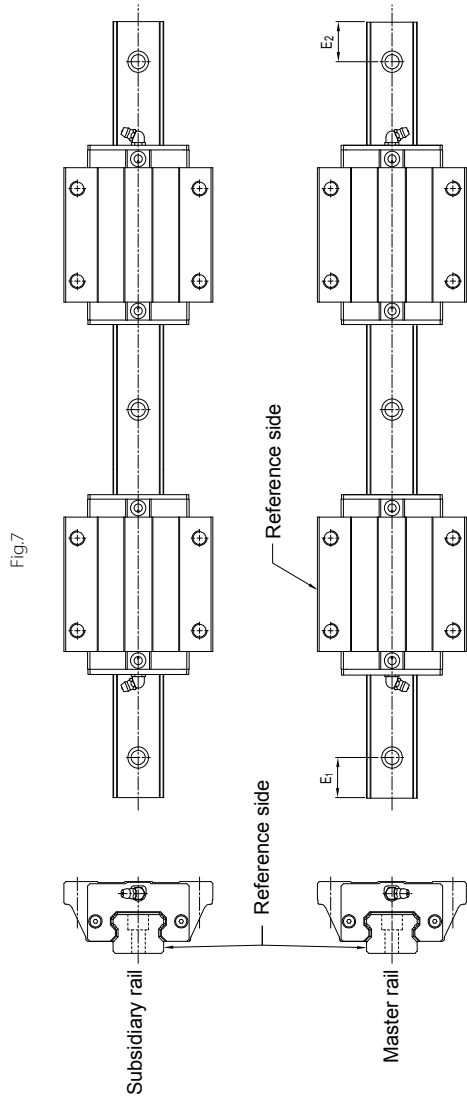
Description of Specification

Non-interchangeable Type

	SME	25	EA	2	SS	F0
Series : SME						
Size : 15, 20, 25, 30, 35, 45						
Carriage type : Heavy load						
EA : Flange type, mounting either from top or bottom						
EB : Compact flange type, mounting either from top or bottom (Size only 15, 20, 25)						
SA : Square type						
SB/SV : Compact square type						
Ultra heavy load						
LEA : Flange type, mounting either from top or bottom						
LEB : Compact flange type, mounting either from top or bottom (Size only 15, 20, 25)						
LSA : Square type						
LSB/LSV : Compact square type						
Number of carriages per rail : 1, 2, 3 ...						
Dust protection option of carriage :						
No symbol, UU, SS, ZZ, DD, KK (refer to Dust Proof [B1-232])						
Preload : FC (Light Preload), F0 (Medium preload), F1 (Heavy preload)						
Code of special carriage : No symbol, A, B, ...						
Rail type : R (Counter-bore type), T (Tapped hole type)						
Rail length (mm)						
Rail hole pitch from start side (E1 , see Fig.7)						
Rail hole pitch to the end side (E2 , see Fig.7)						
Accuracy grade : N, H, P, SP, UP						
Code of special rail : No symbol, A, B ...						
Dust protection option of rail : No symbol, /CC, /MC, /MD ... (refer to Code of Contaminaiton for Rail [B1-233])						
Number of rails per axis : No symbol, II, III, IV ...						

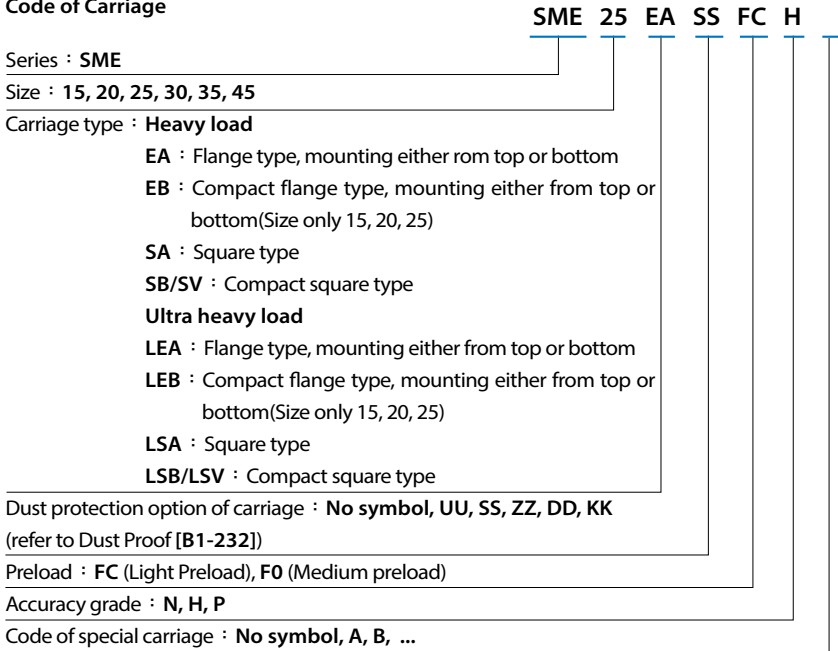
+R 1000 -20 /20 P II

--	--	--	--	--	--	--

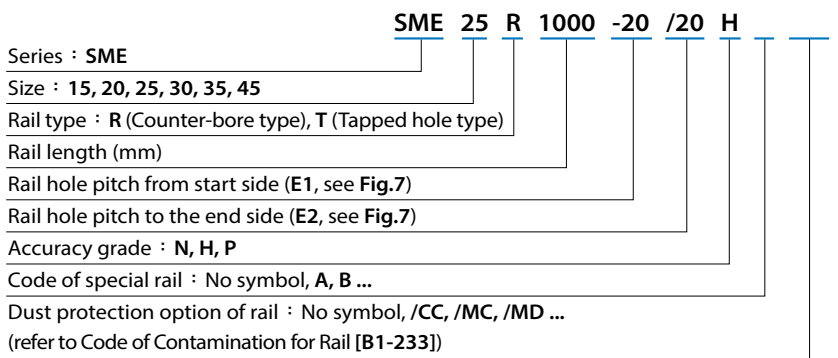


Interchangeable Type

Code of Carriage



Code of Rail



Accuracy Grade

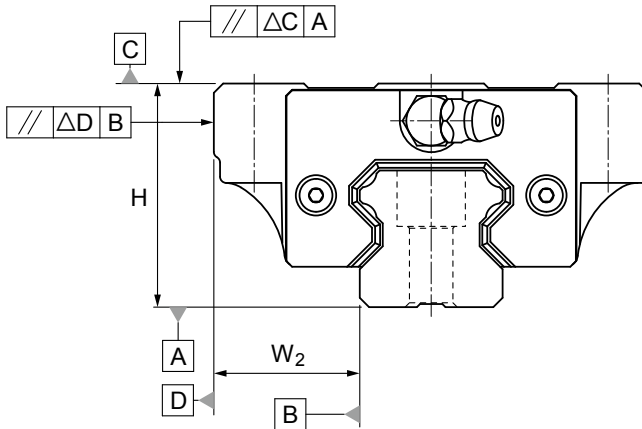


Table 8 Running Parallelism

Rail length (mm)		Running Parallelism Values (μm)				
Above	Or less (incl.)	N	H	P	SP	UP
0	315	9	6	3	2	1.5
315	400	11	8	4	2	1.5
400	500	13	9	5	2	1.5
500	630	16	11	6	2.5	1.5
630	800	18	12	7	3	2
800	1000	20	14	8	4	2
1000	1250	22	16	10	5	2.5
1250	1600	25	18	11	6	3
1600	2000	28	20	13	7	3.5
2000	2500	30	22	15	8	4
2500	3000	32	24	16	9	4.5
3000	3500	33	25	17	11	5
3500	4000	34	26	18	12	6

Non-Interchangeable Type

Model No.	Item	Accuracy Grade				
		Normal N	High H	Precision P	Super Precision SP	Ultra Precision UP
15 20	Tolerance for height H	±0.1	±0.03	0 -0.03	0 -0.015	0 -0.008
	Height difference ΔH	0.02	0.01	0.006	0.004	0.003
	Tolerance for distance W ₂	±0.1	±0.03	0 -0.03	0 -0.015	0 -0.008
	Difference in distance W ₂ (ΔW ₂)	0.02	0.01	0.006	0.004	0.003
	Running parallelism of surface C with surface A	ΔC (see the Table 8)				
	Running parallelism of surface D with surface B	ΔD (see the Table 8)				
25 30 35	Tolerance for height H	±0.1	±0.04	0 -0.04	0 -0.02	0 -0.01
	Height difference ΔH	0.02	0.015	0.007	0.005	0.003
	Tolerance for distance W ₂	±0.1	±0.04	0 -0.04	0 -0.02	0 -0.01
	Difference in distance W ₂ (ΔW ₂)	0.03	0.015	0.007	0.005	0.003
	Running parallelism of surface C with surface A	ΔC (see the Table 8)				
	Running parallelism of surface D with surface B	ΔD (see the Table 8)				
45	Tolerance for height H	±0.1	±0.05	0 -0.05	0 -0.03	0 -0.02
	Height difference ΔH	0.03	0.015	0.007	0.005	0.003
	Tolerance for distance W ₂	±0.1	±0.05	0 -0.05	0 -0.03	0 -0.02
	Difference in distance W ₂ (ΔW ₂)	0.03	0.02	0.01	0.007	0.005
	Running parallelism of surface C with surface A	ΔC (see the Table 8)				
	Running parallelism of surface D with surface B	ΔD (see the Table 8)				

Interchangeable Type

Model No.	Item	Accuracy Grade		
		Normal N	High H	Precision P
15 20	Tolerance for height H	±0.1	±0.03	0 -0.03
	Height difference ΔH	0.02	0.01	0.006
	Tolerance for distance W_2	±0.1	±0.03	0 -0.03
	Difference in distance $W_2(\Delta W_2)$	0.02	0.01	0.006
	Running parallelism of surface C with surface A	ΔC (see the Table 8)		
	Running parallelism of surface D with surface B	ΔD (see the Table 8)		
25 30 35	Tolerance for height H	±0.1	±0.04	0 -0.04
	Height difference ΔH	0.02	0.015	0.007
	Tolerance for distance W_2	±0.1	±0.04	0 -0.04
	Difference in distance $W_2(\Delta W_2)$	0.03	0.015	0.007
	Running parallelism of surface C with surface A	ΔC (see the Table 8)		
	Running parallelism of surface D with surface B	ΔD (see the Table 8)		
45	Tolerance for height H	±0.1	±0.05	0 -0.05
	Height difference ΔH	0.03	0.015	0.007
	Tolerance for distance W_2	±0.1	±0.05	0 -0.05
	Difference in distance $W_2(\Delta W_2)$	0.03	0.02	0.01
	Running parallelism of surface C with surface A	ΔC (see the Table 8)		
	Running parallelism of surface D with surface B	ΔD (see the Table 8)		

Note: Definition of interchangeable: It is confined to the carriage on the single rail, not including the exchange of multiple rails and carriages.

Preload Grade

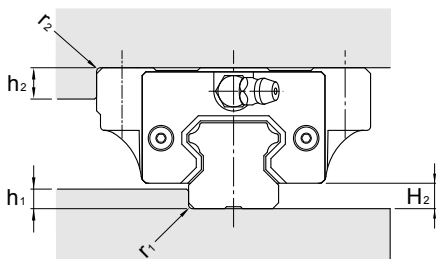
Series	Preload grade		
	Light preload (FC)	Medium preload (F0)	Heavy preload (F1)
SME15	0.01~0.03C	0.04~0.06C	-
SME20			
SME25			
SME30			0.07~0.09C
SME35			
SME45			
SME15L	0.01~0.03C	0.04~0.06C	0.07~0.09C
SME20L			
SME25L			
SME30L			
SME35L			
SME45L			

Note: C is basic dynamic load rating in above table. Refer to the specification of products, please.

The Shoulder Height and Corner Radius for Installation

SME series

Unit: mm

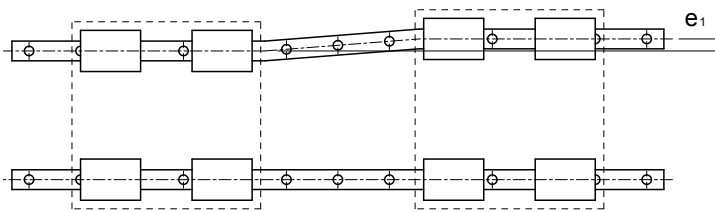


Model No.	r_1 (max.)	r_2 (max.)	h_1	h_2	H_2
15	0.5	0.5	2.5	5	3.5
20	0.5	0.5	3.5	5	4.7
25	1	1	5	6	5.8
30	1	1	5	7	7.5
35	1	1	6	8	8
45	1	1	8	8	10

Dimensional Tolerance of Mounting Surface

SME with the self alignment capability, the minor dimensional error in mounting surface could be compensated and achieves smooth linear motion. The tolerances of parallelism between two axes are shown as below.

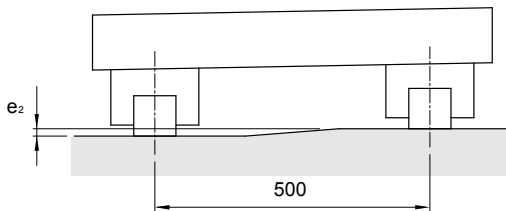
The parallel deviation between two axes (e_1)



Unit: μm

Model No.	Preload Grade		
	FC	F0	F1
15	25	18	-
20	25	20	18
25	30	22	20
30	40	30	27
35	50	35	30
45	60	40	35

Level difference between two axes (e_2)

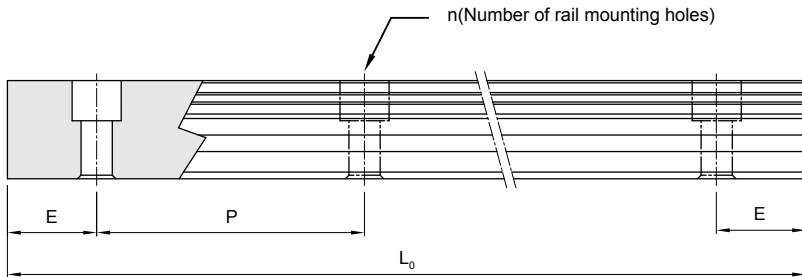


Unit: μm

Model No.	Preload Grade		
	FC	F0	F1
15	130	85	-
20	130	85	50
25	130	85	70
30	170	110	90
35	210	150	120
45	250	170	140

Note: The permissible values in table are applicable when the span is 500mm wide.

Rail Maximum Length and Standard



$$L_0 = (n-1) \times P + 2 \times E$$

L_0 : Total Length of rail (mm)

n : Number of mounting holes

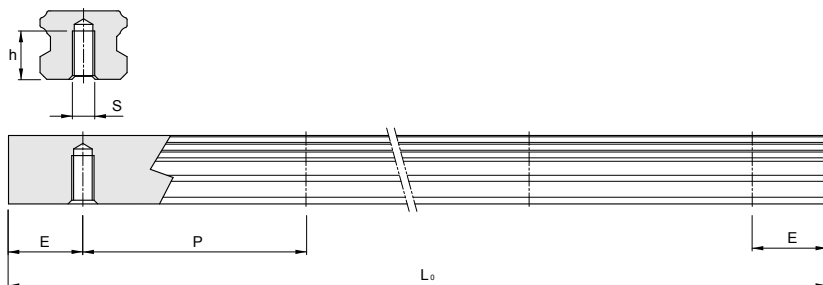
P : Distance between any two holes (mm)

E : Distance from the center of the last hole to the edge (mm)

Unit: mm

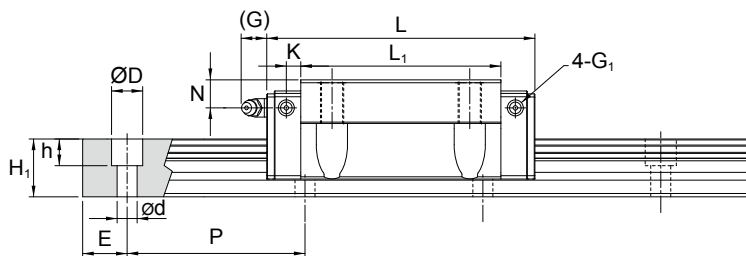
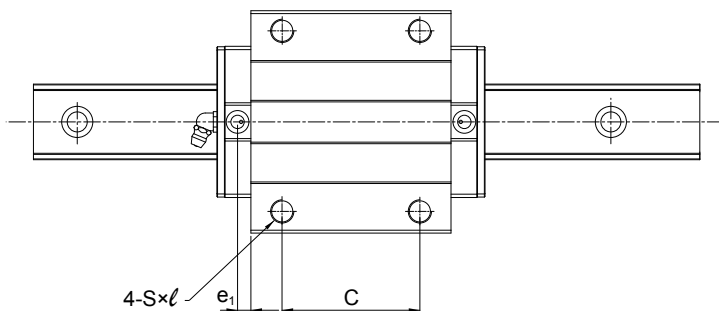
Model No.	Standard Pitch (P)	Standard ($E_{std.}$)	Minimum ($E_{min.}$)	Max (L_0 max.)
SME 15	60	20	5	4000
SME 20	60	20	6	4000
SME 25	60	20	7	4000
SME 30	80	20	8	4000
SME 35	80	20	8	4000
SME 45	105	22.5	11	4000

Tapped Hole Rail Dimensions



Rail Model	S	h(mm)
SME 15 T	M5	8
SME 20 T	M6	10
SME 25 T	M6	12
SME 30 T	M8	15
SME 35 T	M8	17
SME 45 T	M12	24

Dimensions of SME-EA / SME-LEA

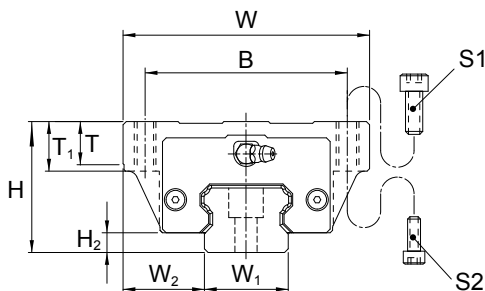
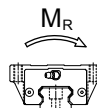
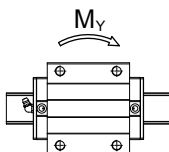
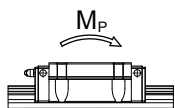


Unit: mm

Model No.	External dimension							Carriage dimension										Grease Nipple
	Height H	Width W	Length L	W ₂	H ₂	B	C	S × l	L ₁	T	T ₁	N	G	K	e ₁	G ₁		
SME 15 EA SME 15 LEA	24	47	64.4 79.4	16	3.5	38	30	M5×8	48 63	5.5	8	5	5.5	2.7	-	M4	G-M4	
SME 20 EA SME 20 LEA	30	63	78.5 97.5	21.5	4.7	53	40	M6×10	58.3 77.3	7	10	8	12	3.7	-	M4	G-M6	
SME 25 EA SME 25 LEA	36	70	92 109	23.5	5.8	57	45	M8×13	71 88	7	13	10	12	4	-	M4	G-M6	
SME 30 EA SME 30 LEA	42	90	107.6 132.6	31	7.5	72	52	M10×15	80 105	12	15	8	12	6.5	5.4	M6	G-M6	
SME 35 EA SME 35 LEA	48	100	120.6 150.6	33	8	82	62	M10×15	90 120	12	15	8	12	6.5	6	M6	G-M6	
SME 45 EA SME 45 LEA	60	120	140 174.5	37.5	10	100	80	M12×18	106 140.5	12	18	10	13.5	8.5	6.1	M6	G-PT 1/8	

Note: The basic dynamic load rating C of ball type is based on the 50 km for nominal life. The conversion between C for 50 km and C₁₀₀ for 100 km is C=1.26 × C₁₀₀.

Note*: Single: Single carriage/ Double: Double carriages closely contacting with each other.

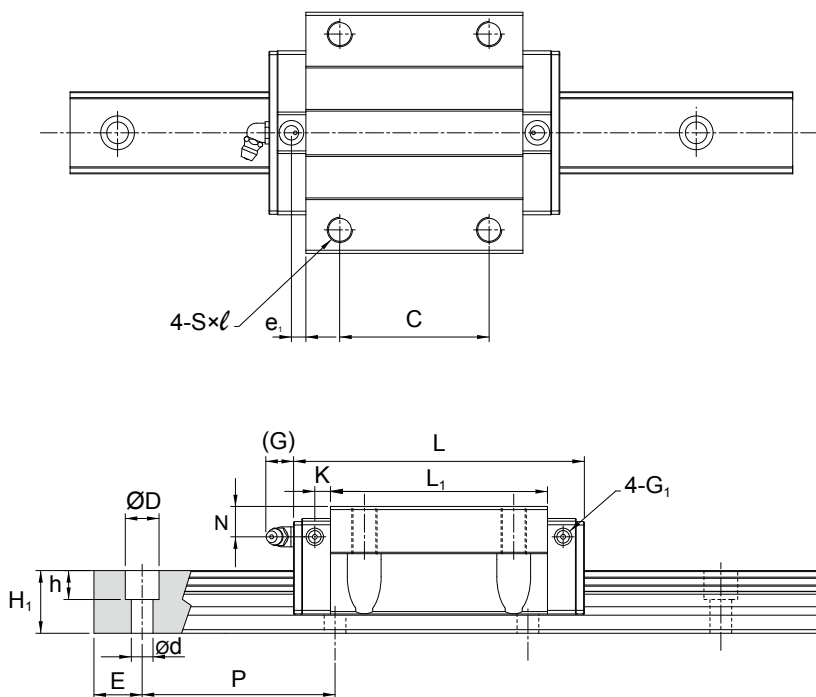


Model No.	Bolt Size	
	S ₁	S ₂
SME 15	M5	M4
SME 20	M6	M5
SME 25	M8	M6
SME 30	M10	M8
SME 35	M10	M8
SME 45	M12	M10

Unit: mm

Model No.	Rail dimension					Basic load rating		Static moment rating				Weight		
	Width W ₁	Height H ₁	Pitch P	E std.	D × h × d	Dynamic C kN	Static C ₀ kN	M _p		M _y		M _r kN-m	Carriage kg	Rail kg/m
								Single*	Double*	Single*	Double*			
SME 15 EA SME 15 LEA	15	13	60	20	7.5×5.8×4.5	12.5 15.4	20.2 27.5	0.14 0.25	0.69 1.15	0.14 0.25	0.69 1.15	0.16 0.21	0.22 0.29	1.4
SME 20 EA SME 20 LEA	20	15.5	60	20	9.5×8.5×6	20.4 25.3	32.1 43.6	0.27 0.49	1.34 2.24	0.27 0.49	1.34 2.24	0.33 0.44	0.42 0.62	2.3
SME 25 EA SME 25 LEA	23	18	60	20	11×9×7	28.3 33.0	44.3 56.1	0.45 0.71	2.14 3.20	0.45 0.71	2.14 3.20	0.52 0.66	0.67 0.89	3.2
SME 30 EA SME 30 LEA	28	23	80	20	14×12×9	39.4 47.0	59.5 76.5	0.68 1.11	3.37 5.32	0.68 1.11	3.37 5.32	0.83 1.07	1.18 1.54	4.5
SME 35 EA SME 35 LEA	34	26	80	20	14×12×9	54.7 67.6	81.0 109.9	1.07 1.92	5.25 8.75	1.07 1.92	5.25 8.75	1.41 1.91	1.74 2.28	6.2
SME 45 EA SME 45 LEA	45	32	105	22.5	20×17×14	72.7 90.0	105.8 143.6	1.61 2.88	7.82 13.08	1.61 2.88	7.82 13.08	2.41 3.27	3.22 4.21	10.5

Dimensions of SME-EB / SME-LEB

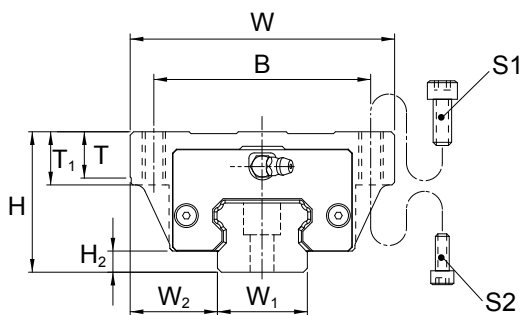
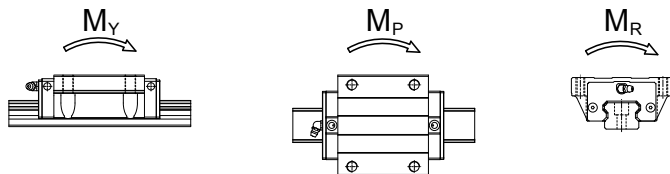


Unit: mm

Model No.	External dimension						Carriage dimension										
	Height H	Width W	Length L	W_2	H_2	B	C	$S \times l$	L_1	T	T_1	N	G	K	e_1	G_1	Grease Nipple
SME 15 EB SME 15 LEB	24	52	64.4 79.4	18.5	3.5	41	26 36	M5×8	48 63	5.5	8	5	5.5	2.7	-	M4	G-M4
SME 20 EB SME 20 LEB	28	59	78.5 97.5	19.5	4.7	49	32 45	M6×8	58.3 77.3	7.0	8	6.0	12	3.7	-	M4	G-M6
SME 25 EB SME 25 LEB	33	73	92 109	25	5.8	60	35 50	M8×10	71 88	7.0	10	7.0	12	4	-	M4	G-M6

Note: The basic dynamic load rating C of ball type is based on the 50 km for nominal life. The conversion between C for 50 km and C_{100} for 100 km is $C=1.26 \times C_{100}$.

Note*: Single: Single carriage/ Double: Double carriages closely contacting with each other.

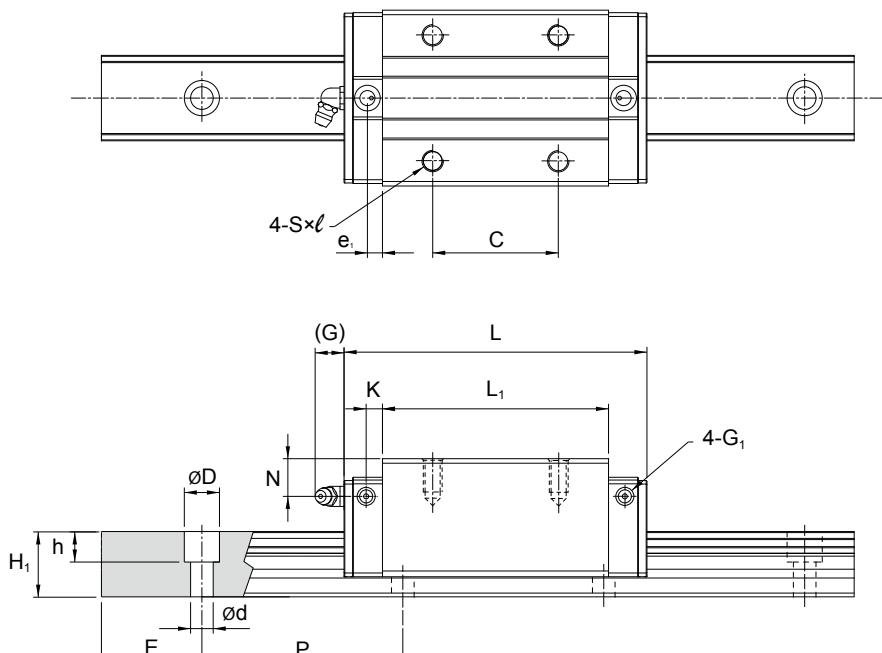


Model No.	Bolt Size	
	S ₁	S ₂
SME 15	M5	M4
SME 20	M6	M5
SME 25	M8	M6

Unit: mm

Model No.	Rail dimension					Basic load rating		Static moment rating					Weight	
	Width W ₁	Height H ₁	Pitch P	E std.	D × h × d	Dynamic C kN	Static C ₀ kN	M _p		M _v		M _r	Carriage kg	Rail kg/m
								Single*	Double*	Single*	Double*			
SME 15 EB SME 15 LEB	15	13	60	20	7.5×5.8×4.5	12.5 15.4	20.2 27.5	0.14 0.25	0.69 1.15	0.14 0.25	0.69 1.15	0.16 0.21	0.21 0.27	1.4
SME 20 EB SME 20 LEB	20	15.5	60	20	9.5×8.5×6	20.4 25.3	32.1 43.6	0.27 0.49	1.34 2.24	0.27 0.49	1.34 2.24	0.33 0.44	0.39 0.55	2.3
SME 25 EB SME 25 LEB	23	18	60	20	11×9×7	28.3 33.0	44.3 56.1	0.45 0.71	2.14 3.20	0.45 0.71	2.14 3.20	0.52 0.66	0.42 0.65	3.2

Dimensions of SME-SA / SME-LSA

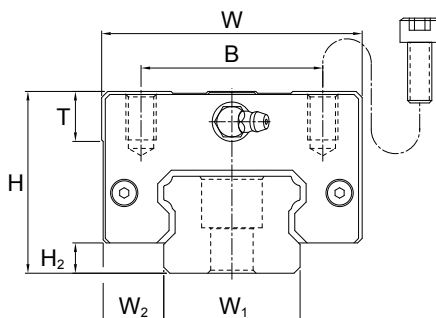
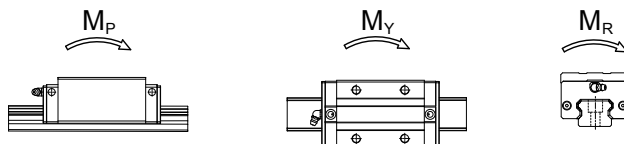


Unit: mm

Model No.	External dimension					Carriage dimension											Grease Nipple
	Height H	Width W	Length L	W ₂	H ₂	B	C	S × l	L ₁	T	N	G	K	e ₁	G ₁		
SME 15 SA SME 15 LSA	28	34	64.4 79.4	9.5	3.5	26	26	M4×7.5	48 63	6	9	5.5	2.7	-	M4	G-M4	
SME 20 SA SME 20 LSA	30	44	78.5 97.5	12	4.7	32	36 50	M5×7	58.3 77.3	6	8	12	3.7	-	M4	G-M6	
SME 25 SA SME 25 LSA	40	48	92 109	12.5	5.8	35	35 50	M6×12	71 88	8	14	12	4	-	M4	G-M6	
SME 30 SA SME 30 LSA	45	60	107.6 132.6	16	7.5	40	40 60	M8×12	80 105	8	11	12	6.5	5.4	M6	G-M6	
SME 35 SA SME 35 LSA	55	70	120.6 150.6	18	8	50	50 72	M8×14	90 120	11	15	12	6.5	6	M6	G-M6	
SME 45 SA SME 45 LSA	70	86	140 174.5	20.5	10	60	60 80	M10×20	106 140.5	16	20	13.5	8.5	6.1	M6	G-PT 1/8	

Note: The basic dynamic load rating C of ball type is based on the 50 km for nominal life. The conversion between C for 50 km and C₁₀₀ for 100 km is C = 1.26 × C₁₀₀.

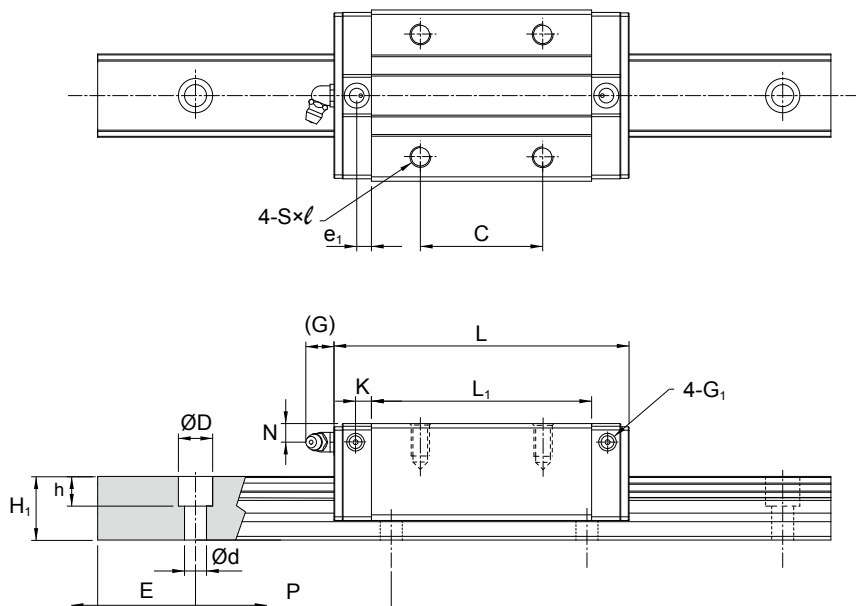
Note*: Single: Single carriage/ Double: Double carriages closely contacting with each other.



Unit: mm

Model No.	Rail dimension					Basic load rating		Static moment rating					Weight	
	Width W_1	Height H_1	Pitch P	E std.	$D \times h \times d$	Dynamic C kN	Static C_o kN	M_P kN-m		M_Y kN-m		M_R kN-m	Carriage kg	Rail kg/m
								Single*	Double*	Single*	Double*			
SME 15 SA SME 15 LSA	15	13	60	20	7.5×5.8×4.5	12.5 15.4	20.2 27.5	0.14 0.25	0.69 1.15	0.14 0.25	0.69 1.15	0.16 0.21	0.22 0.25	1.4
SME 20 SA SME 20 LSA	20	15.5	60	20	9.5×8.5×6	20.4 25.3	32.1 43.6	0.27 0.49	1.34 2.24	0.27 0.49	1.34 2.24	0.33 0.44	0.30 0.39	2.3
SME 25 SA SME 25 LSA	23	18	60	20	11×9×7	28.3 33.0	44.3 56.1	0.45 0.71	2.14 3.20	0.45 0.71	2.14 3.20	0.52 0.66	0.56 0.73	3.2
SME 30 SA SME 30 LSA	28	23	80	20	14×12×9	39.4 47.0	59.5 76.5	0.68 1.11	3.37 5.32	0.68 1.11	3.37 5.32	0.83 1.07	0.93 1.21	4.5
SME 35 SA SME 35 LSA	34	26	80	20	14×12×9	54.7 67.6	81.0 109.9	1.07 1.92	5.25 8.75	1.07 1.92	5.25 8.75	1.41 1.91	1.57 2.05	6.2
SME 45 SA SME 45 LSA	45	32	105	22.5	20×17×14	72.7 90.0	105.8 143.6	1.61 2.88	7.82 13.08	1.61 2.88	7.82 13.08	2.41 3.27	3.06 4.00	10.5

Dimensions of SME-SB / SME-LSB

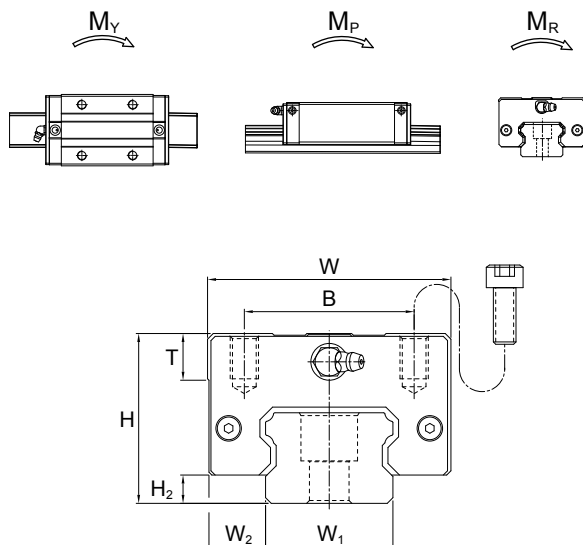


Unit: mm

Model No.	External dimension					Carriage dimension											Grease Nipple
	Height H	Width W	Length L	W ₂	H ₂	B	C	S × l	L ₁	T	N	G	K	e ₁	G ₁		
SME 15 SB SME 15 LSB	24	34	64.4 79.4	9.5	3.5	26	26 34	M4×5	48 63	6	5	5.5	2.7	-	M4	G-M4	
SME 20 SB SME 20 LSB	28	42	78.5 97.5	11	4.7	32	32 45	M5×5.5	58.3 77.3	6	6	12	3.7	-	M4	G-M6	
SME 25 SB SME 25 LSB	33	48	92 109	12.5	5.8	35	35 50	M6×7	71 88	8	7	12	4	-	M4	G-M6	
SME 25 SV SME 25 LSV	36	48	92 109	12.5	5.8	35	35 50	M6×9	71 88	8	10	12	4	-	M4	G-M6	
SME 30 SB SME 30 LSB	42	60	107.6 132.6	16	7.5	40	40 60	M8×10	80 105	8	8	12	6.5	5.4	M6	G-M6	
SME 35 SB SME 35 LSB	48	70	120.6 150.6	18	8	50	50 72	M8×11	90 120	11	8	12	6.5	6	M6	G-M6	
SME 45 SB SME 45 LSB	60	86	140 174.5	20.5	10	60	60 80	M10×16	106 140.5	16	10	13.5	8.5	6.1	M6	G-PT 1/8	

Note: The basic dynamic load rating C of ball type is based on the 50 km for nominal life. The conversion between C for 50 km and C₁₀₀ for 100 km is C = 1.26 × C₁₀₀.

Note*: Single: Single carriage/ Double: Double carriages closely contacting with each other.

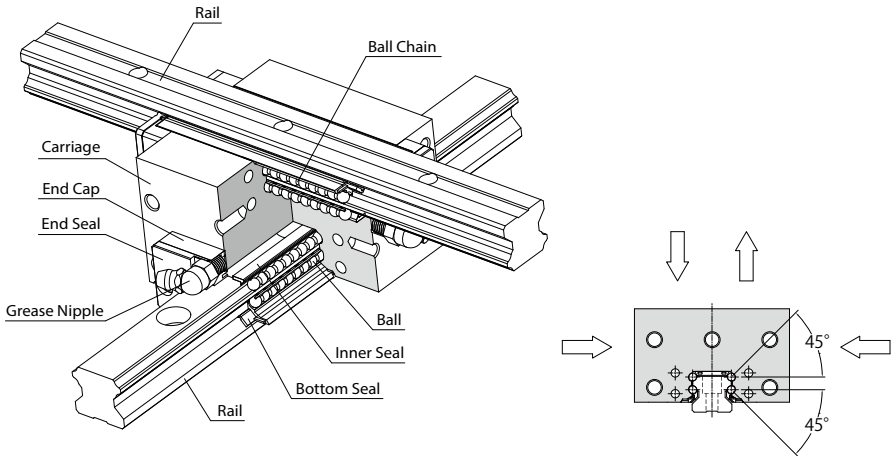


Unit: mm

Model No.	Rail dimension					Basic load rating		Static moment rating				Weight		
	Width W ₁	Height H ₁	Pitch P	E std.	D × h × d	Dynamic C kN	Static C ₀ kN	M _P kN-m		M _Y kN-m		M _R kN-m	Carriage kg	Rail kg/m
								Single*	Double*	Single*	Double*			
SME 15 SB SME 15 LSB	15	13	60	20	7.5×5.8×4.5	12.5 15.4	20.2 27.5	0.14 0.25	0.69 1.15	0.14 0.25	0.69 1.15	0.16 0.21	0.19 0.22	1.4
SME 20 SB SME 20 LSB	20	15.5	60	20	9.5×8.5×6	20.4 25.3	32.1 43.6	0.27 0.49	1.34 2.24	0.27 0.49	1.34 2.24	0.33 0.44	0.26 0.35	
SME 25 SB SME 25 LSB	23	18	60	20	11×9×7	28.3 33.0	44.3 56.1	0.45 0.71	2.14 3.20	0.45 0.71	2.14 3.20	0.52 0.66	0.31 0.49	3.2
SME 25 SV SME 25 LSV	23	18	60	20	11×9×7	28.3 33.0	44.3 56.1	0.45 0.71	2.14 3.20	0.45 0.71	2.14 3.20	0.52 0.66	0.44 0.62	
SME 30 SB SME 30 LSB	28	23	80	20	14×12×9	39.4 47.0	59.5 76.5	0.68 1.11	3.37 5.32	0.68 1.11	3.37 5.32	0.83 1.07	0.85 1.10	4.5
SME 35 SB SME 35 LSB	34	26	80	20	14×12×9	54.7 67.6	81.0 109.9	1.07 1.92	5.25 8.75	1.07 1.92	5.25 8.75	1.41 1.91	1.22 1.61	
SME 45 SB SME 45 LSB	45	32	105	22.5	20×17×14	72.7 90.0	105.8 143.6	1.61 2.88	7.82 13.08	1.61 2.88	7.82 13.08	2.41 3.27	2.86 3.57	10.5

Ball Chain Type Cross Linear Guideway- SMH Series

Construction



Characteristics

Balls roll four rows of raceways precision-ground on a rail and a carriage, and end cap incorporated in the carriage allow the balls to circulate. Since the ball chain holds the balls, they do not fall off even if the rail is pulled out. This model is an integral type of linear guideway that squares an internal structure similar to other model, which has a proven track record and is highly reliable, with another and uses two rails in combination.

The two rails are also machined with high precision in relative straightness. As a result, extremely high accuracy in orthogonality is achieved. Since an orthogonal linear guideway system can be achieved with model SMH alone, a conventionally required saddle is no longer necessary, the structure for X-Y motion can be simplified and the whole system can be downsized.

Four-Way Equal Load

The four trains of balls are allocated to a circular contact angle at 45° , thus each train of balls can take up an equal rated load in all four directions. Moreover, a sufficient preload can be achieved to increase rigidity, and this makes it suitable for any kind of installation.

Ball Chain Design, Smooth Movement

The concise and smooth design of circulating system with strengthened synthetic resin accessories and cooperating with the ball chain, these can avoid interference between balls and make the balls more stability during passing in and out the load district. Besides, the ball chain can keep the ball move in a line and improve the movement most smooth substantially.

Good Lubricant Effect

The ball chain design avoids interference between balls, and can keep the lubricant between the balls and ball chain effectively. Moreover, improve the movement smooth and service life of the whole, can meet high accuracy, high reliability and smooth and stability.

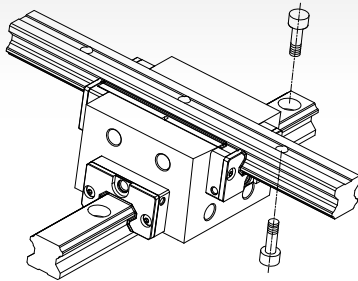
High Rigidity

Since balls are arranged in four rows in a well-balanced manner, this model is stiff against a moment, and smooth straight motion is ensured even a preload is applied to increase the rigidity. The rigidity of the carriages is 50% higher than that of a combination of two carriages secured together back-to-back with bolts. Thus, SMH is an optimal linear guideway for building an X-Y table that requires high rigidity.

Carriage Type

Heavy Load

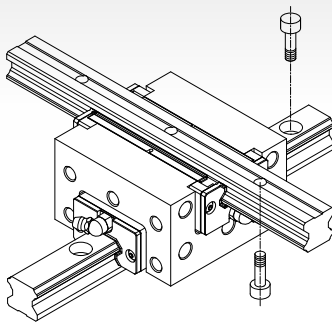
SMH-S Type



This model is a standard type.

Ultra Heavy Load

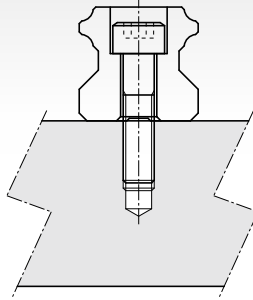
SMH-LS Type



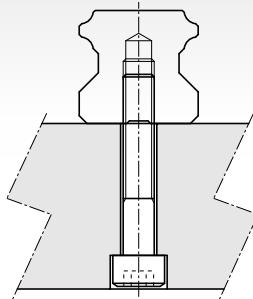
All dimensions are same as SMH-S except the length is longer, which makes it more rigid.

Rail Type

Counter Bore (R type)



Tapped Hole (T type)

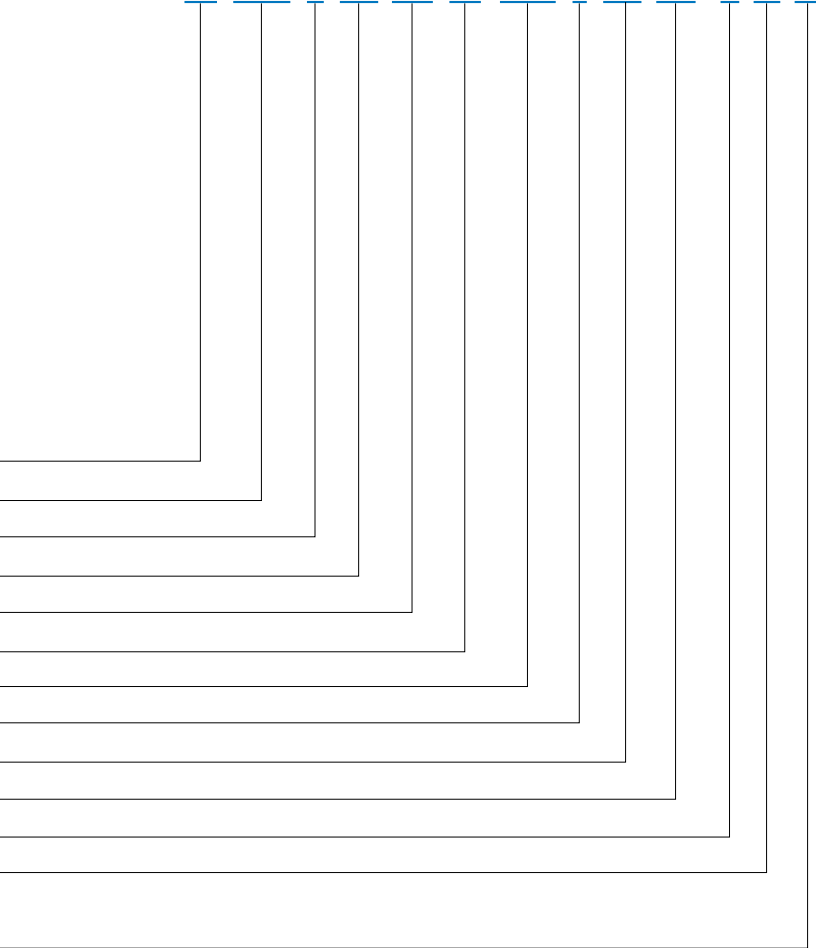


Description of Specification

Non-Interchangeable Type

	SMH	45	LS	2	SS	F0	
Series : SMH							
Size : 45							
Carriage type : Heavy load							
S : Square type							
Ultra heavy load							
LS : Square type							
Number of carriages per rail : 1, 2, 3 ...							
Dust protection option of carriage :							
No symbol, UU, SS, ZZ, DD, KK, LL, RR, HD (refer to Dust Proof [B1-232])							
Preload : FC (Light preload) , F0 (Medium preload) , F1 (Heavy preload)							
Code of special carriage : No symbol, A, B, ...							
Rail type : R (Counter-bore type), T (Tapped hole type)(on the X axis)							
Rail length (mm)(on the X axis)							
Number of rails per axis : No symbol, II, III, IV ... (on the X axis)							
Rail hole pitch from start side (mm, E1)(on the X axis)							
Rail hole pitch to the end side (mm, E2)(on the X axis)							
Rail type : R (Counter-bore type), T (Tapped hole type)(on the Y axis)							
Rail length (mm)(on the Y axis)							
Number of rails per axis : No symbol, II, III, IV ... (on the Y axis)							
Rail hole pitch from start side (mm, E1)(on the Y axis)							
Rail hole pitch to the end side (mm, E2)(on the Y axis)							
Accuracy grade : P							
Code of special rail : No symbol, A, B ...							
Dust protection option of rail : No symbol, /CC, /MC, /MD (refer to Code of Contamination for Rail [B1-233])							

+R 1200 II -20 /40 +R 1200 II -20 /40 P



Accuracy Grade

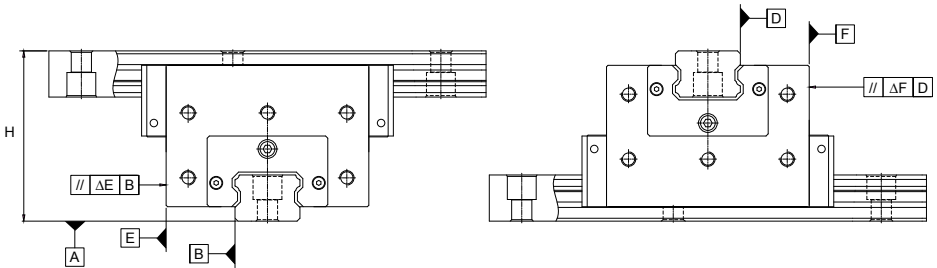


Table 9 Running Parallelism

Rail length (mm)		Running Parallelism Values(um)
Above	Or less(incl.)	P
0	315	3
315	400	4
400	500	5
500	630	6
630	800	7
800	1000	8
1000	1250	10
1250	1600	11
1600	2000	13
2000	2500	15
2500	3000	16

Non-Interchangeable Type

Unit: mm

Model No.	Item	Accuracy Grade
		Precision P
45	Difference in height H	0.012
	Perpendicularity of surface D against surface B	0.012
	Running parallelism of surface E against surface B	ΔE (see the Table 9)
	Running parallelism of surface F against surface D	ΔF (see the Table 9)

Preload Grade

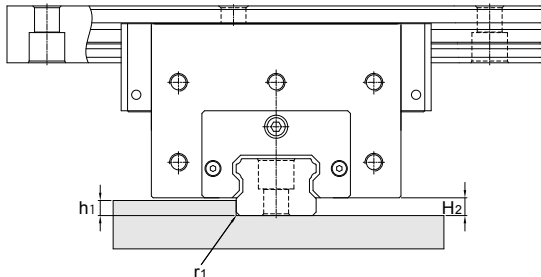
Series	Preload grade		
	Light preload (FC)	Medium preload(F0)	Heavy preload(F1)
SMH45L	0.01~0.03C	0.04~0.06C	0.07~0.09C

Note: C is basic dynamic load rating in above table. Refer to the specification of products, please.

The Shoulder Height and Corner Radius for Installation

SMH series

Unit: mm

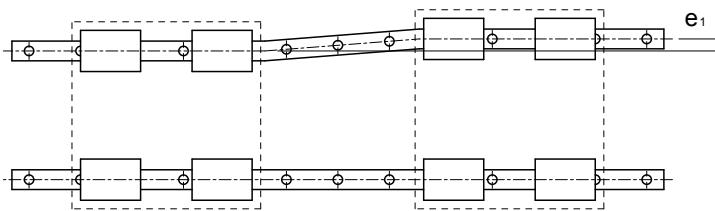


Model No.	r_1 (max.)	h_1 (max.)	H_2
45	1	8	10

Dimensional Tolerance of Mounting Surface

With the self alignment capability, the minor dimensional error in mounting surface could be compensated and achieves smooth linear motion. The tolerances of parallelism between two axes are shown as below.

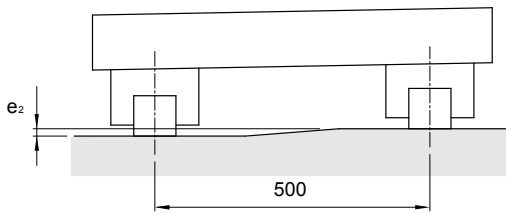
The parallel deviation between two axes (e_1)



Unit: μm

Model No.	Preload Grade		
	FC	F0	F1
45	60	40	35

Level difference between two axes (e_2)

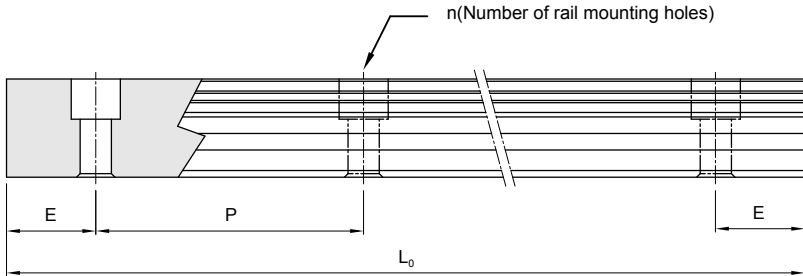


Unit: μm

Model No.	Preload Grade		
	FC	F0	F1
45	250	170	140

Note: The permissible values in table are applicable when the span is 500mm wide.

Rail Maximum Length and Standard



$$L_0 = (n-1) \times P + 2 \times E$$

L_0 : Total Length of rail (mm)

n : Number of mounting holes

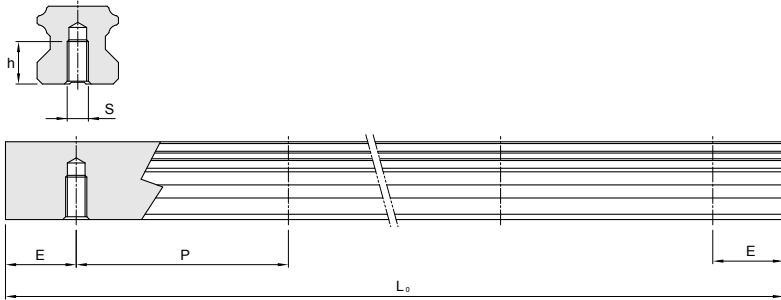
P : Distance between any two holes (mm)

E : Distance from the center of the last hole to the edge (mm)

Unit: mm

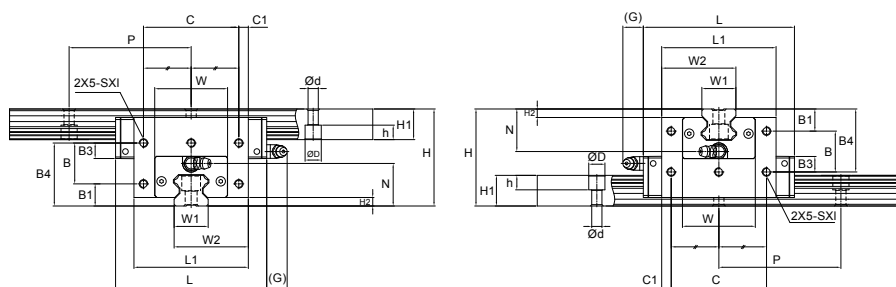
Model No.	Standard Pitch (P)	Standard ($E_{std.}$)	Minimum ($E_{min.}$)	Max (L_0 max.)
SMH45	105	22.5	11	3000

Tapped Hole Rail Dimensions



Rail Model	S	h(mm)
SMH45T	M12	24

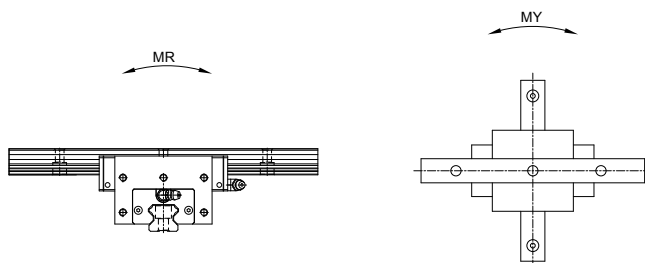
Dimensions of SMH-LS



Unit: mm

Model No.	External dimension			Carriage dimension											
	Height H	Width L1	Length L	B ₁	B ₃	B ₄	B	C	C ₁	S × l	W	H ₂	N	G	Grease Nipple
SMH45LS	118	140.5	174.5	30	16.6	75	45	110	15.25	M10×15	83.6	10	50	13.5	G-PT1/8

Note: The basic dynamic load rating C of ball type is based on the 50 km for nomonal life. The conversion between C for 50 km and C₁₀₀ for 100 km is C=1.26 x C₁₀₀.



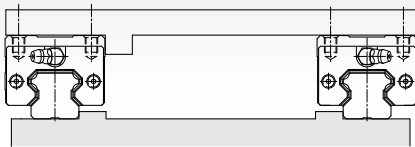
Unit: mm

Model No.	Rail dimension							Basic load rating		Static moment rating		Weight	
	Width W_1	Width W_2	Height H_1	Pitch P	E std.	$D \times h \times d$	Max Length	Dynamic C kN	Static C_0 kN	M_p kN-m	M_v kN-m	Carriage kg	Rail kg/m
SMH45LS	45	92.75	32	105	22.5	20×17×14	3000	90	143.6	3.27	2.88	16.5	10.5

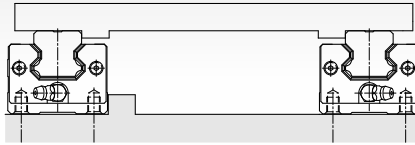
Installation Direction of Linear Guideway

The installation direction of linear guideway depends on machine structure and load direction. When oil lubrication is applied, the lubricant routing will be varied with different applications. Therefore, please specify the direction of installation when ordering.

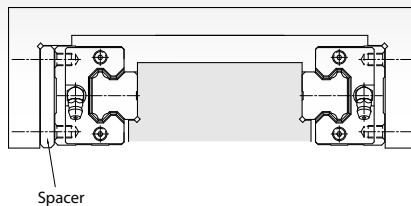
Horizontal (Code : H)



Inverted (Code : R)

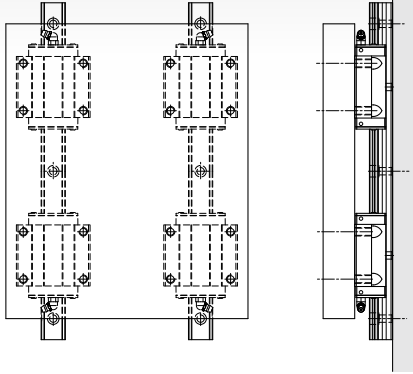


Opposed (Code : F)

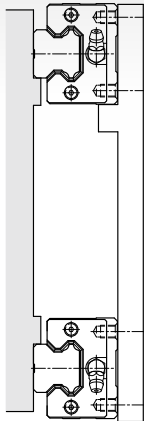


Spacer

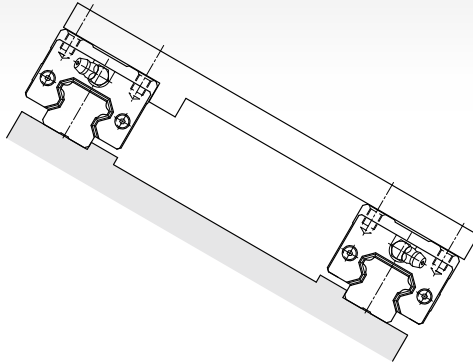
Vertical (Code : V)



Wall mounting (Code : K)



Tilted (Code : T)

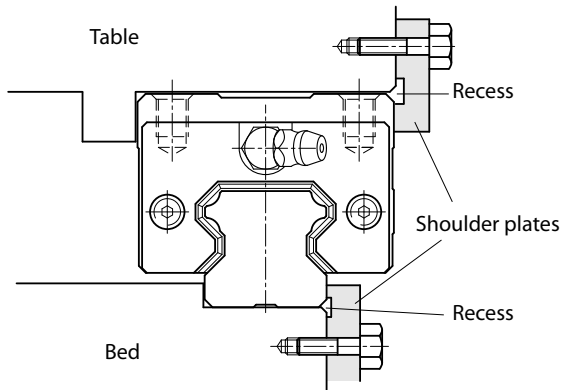


Fixing Methods of Linear Guideway

The rail and carriage could be displaced when machine receives vibration or impact. Under such situation, the running accuracy and service life will be degraded, so the following fixing methods are recommended for avoiding such situation happens.

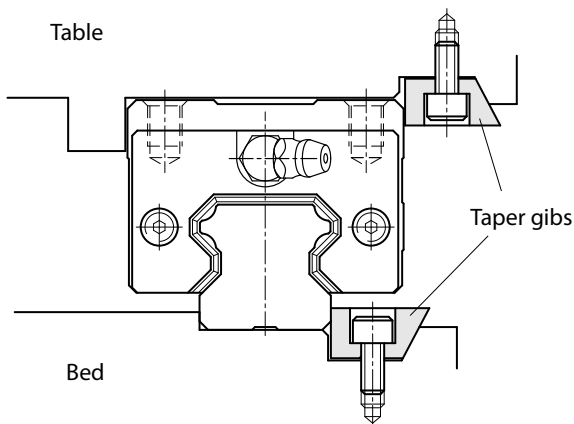
Shoulder plate (Recommended)

For this method, the rail and carriage should stick out slightly from the bed and table. To avoid interference from corner of carriage and rail, the shoulder plate should have a recess.



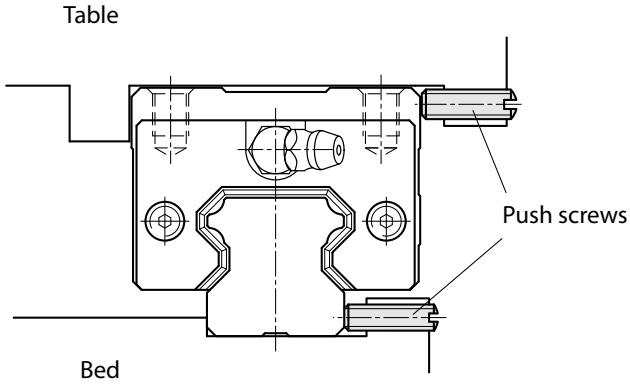
Taper gib

A slight tightening of the taper gib could generate a large pressing force to the linear guideway, and this may cause the rail to deform. Thus, this method should be carried with caution.



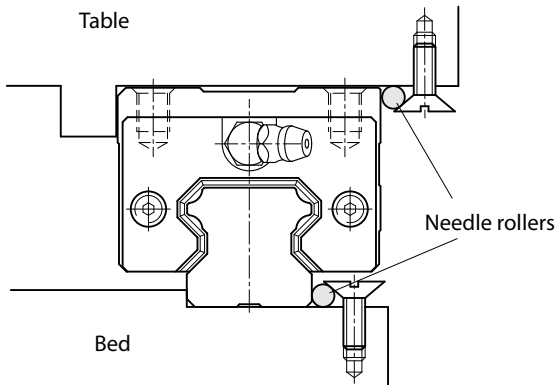
Push screw

Due to the limitation of installation space, the size of bolt should be thin.



Needle roller

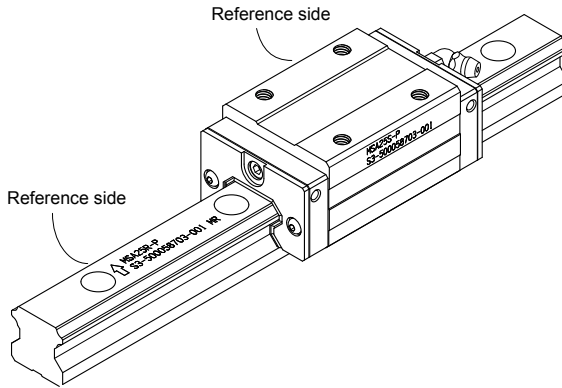
The needle roller is pressed by the taper section of the head of screw, so the position of screw should be paid attention.



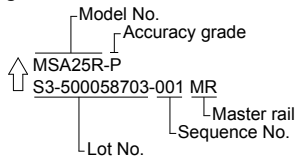
Marking on Master Linear Guideway and Combined Case

Recognizing of Reference Side

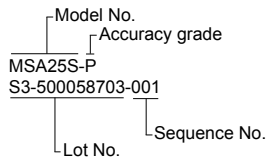
The reference side of rail is assigned by the arrow sign which is marked together with the model code and lot number on top surface of rail while that of carriage is the side which is opposed to the side marked with lot number and model code marked, as shown below.



Marking on Rail



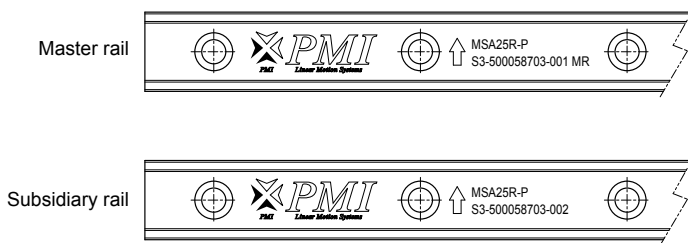
Marking on Carriage



Recognizing of reference side

Recognizing of Master Rail

Linear rails to be applied on the same plane are all marked with the same serial number, and "MR" is marked at the end of serial number for indicating the master rail, shown as the figure below. The reference side of carriage is the surface where is ground to a specified accuracy. For normal grade (N), it has no mark "MR" on rail which means any one of rails with same serial number could be the master rail.



Recognizing of master rail

Combined Use of Rail and Carriage

For combined use, the rail and carriage must have the same serial number. When reinstalling the carriage back to the rail, make sure they have the same serial number and the reference side of carriage should be in accordance with that of rail.

For Butt-joint Rail

When applied length of rail longer than specified max. length, the rails can be connected to one another. For this situation, the joint marks indicate the matching position. Accuracy may deviate at joints when carriages pass the joint simultaneously. Therefore, the joints should be interlaced for avoiding such accuracy problem.

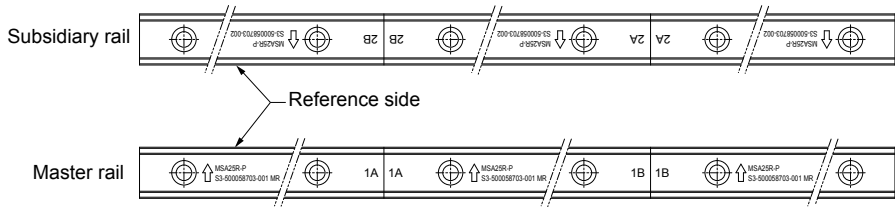


Fig.8 Identification of butt-joint rail

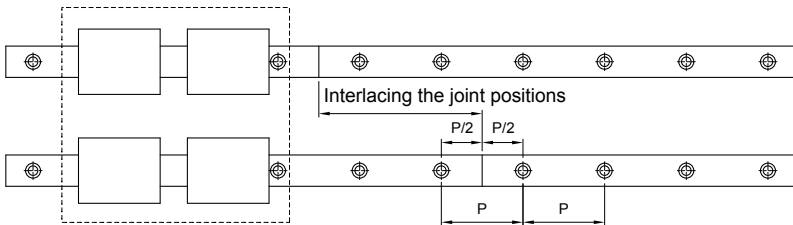
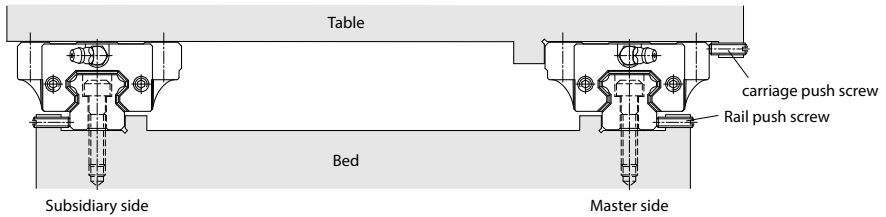


Fig.9 Staggering the joint position

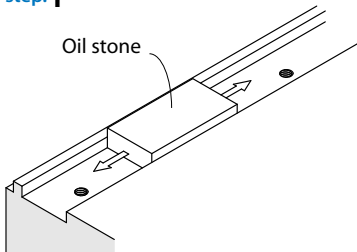
Installation of Linear Guideway

Installation of Linear Guideway When Machine Subjected to Vibration and Impact



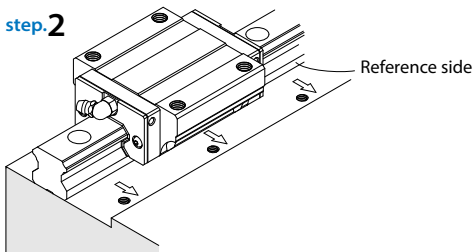
Installation of rail

step.1



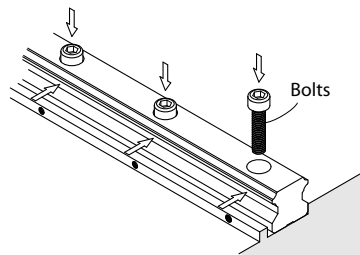
Prior to installation, the burrs, dirt, and rust preventive oil should be removed thoroughly.

step.2



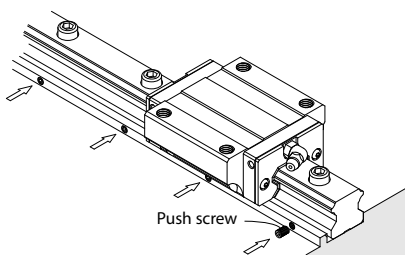
Gently place the linear guideway on the bed, and pushing it against the reference side of bed.

step.3



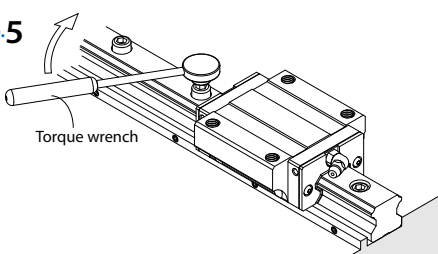
Check for correct bolt play and temporarily tighten all bolts.

step.4



Tighten the push screw in sequence to ensure the rail close matching the reference side of bed.

step.5

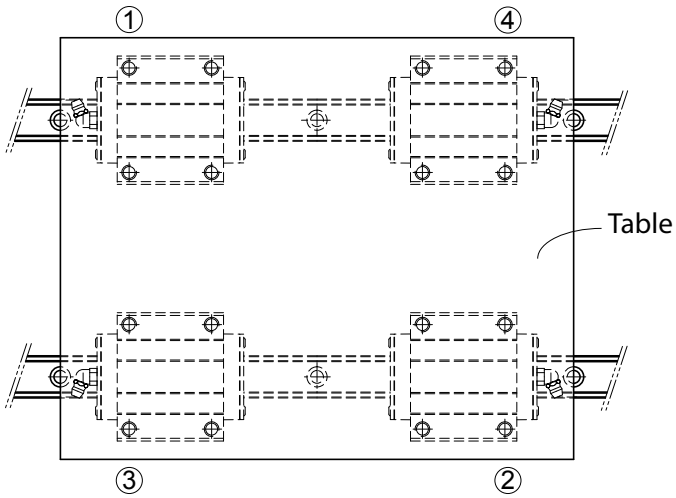


Tighten all bolts to the specified torque. The tightening sequence should start from the right side to the left side. By doing this, the original accuracy could be achieved.

step.6

Follow the same procedure for the installation of remaining rails.

Installation of carriage



step.1

Gently place table onto carriages and temporarily tighten the bolts.

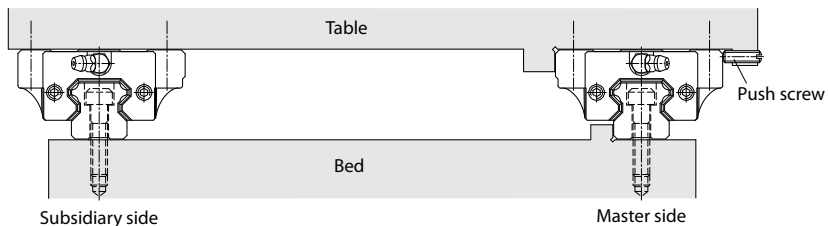
step.2

Tighten the push screw to hold the master rail carriage against the table reference side, and position the table.

step.3

Fully tighten all bolts on both master and subsidiary sides. The tightening process should be followed by the order of ① to ④.

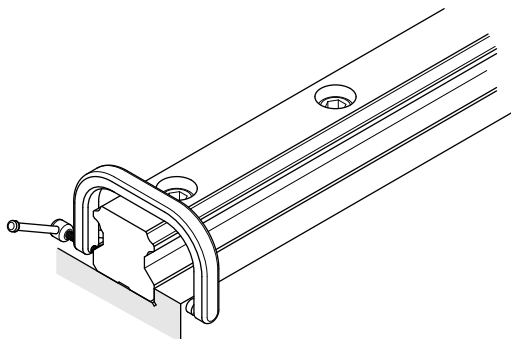
Installation of Linear Guideway without Push Screws



Installation of master rail

Using a vise

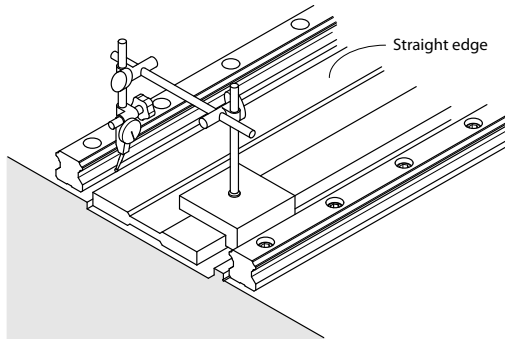
First tighten the mounting bolts temporarily, then use a C vise to press the master rail to reference side. Tighten the mounting bolts in sequence to specified torque.



Installation of subsidiary rail

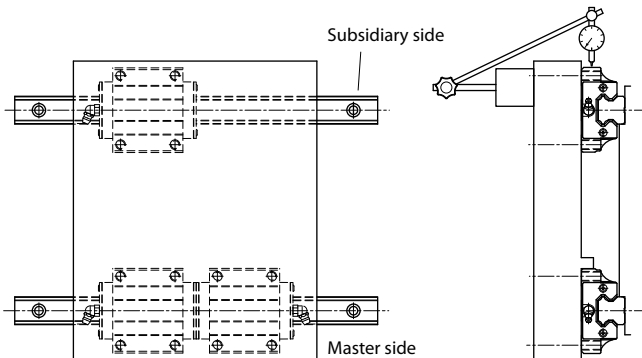
Using a straight edge

Place a straight edge between the two rails and position it parallel to the reference side rail which is temporarily tightened by bolts. Check the parallelism with dial gauge, and align the rail if necessary. Then tighten the bolts in sequence.



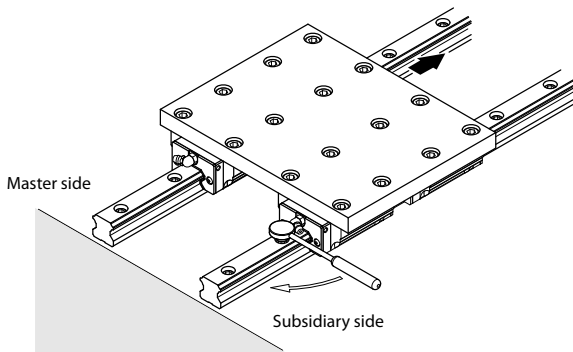
Using a table

Tighten two master side carriages and one subsidiary side carriage onto the table. Then temporarily tighten another subsidiary carriage and rail to the table and bed. Position a dial gauge on the table and have the probe of dial gauge contact the side of the subsidiary carriage. Move the table from the rail end and check the parallelism between the carriage and the subsidiary rail. Then tighten the bolts in sequence.



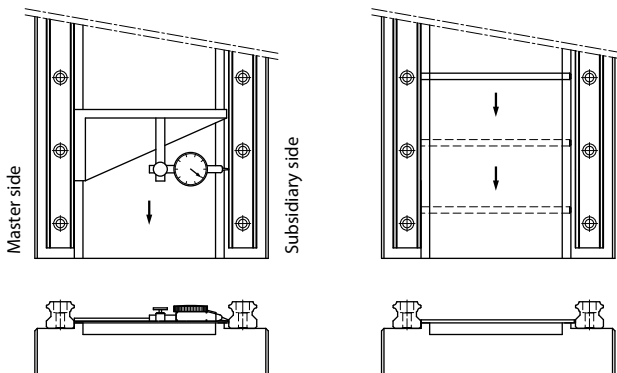
Compare to master rail side

Tighten two master side carriages and one subsidiary side carriage onto the table. Then temporarily tighten another subsidiary carriage and rail to the table and bed. Move the table from one rail, check and align the parallelism of subsidiary rail based on moving resistance. Tighten the bolts in sequence.

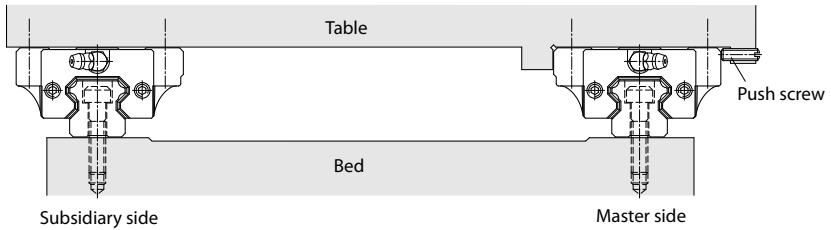


Using a jig

Using the special jig to align the parallelism between the reference side of master rail and that of subsidiary rail from one rail end to another. Tighten the mounting bolts in sequence.



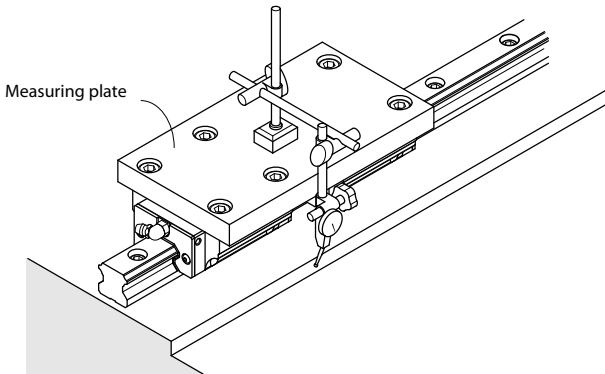
The Installation of Carriage of Linear Guideway without the Reference Side for Master Rail



Mounting the master rail

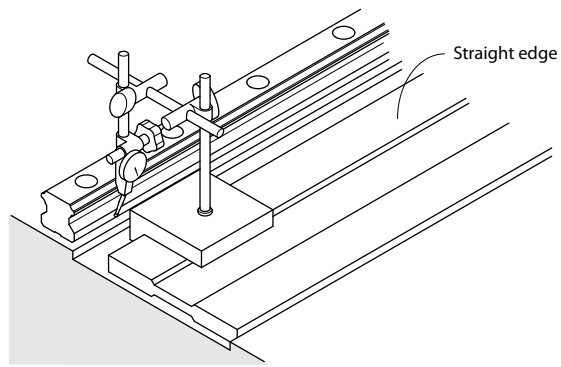
Using a temporary reference side

Two carriages are tightened together onto the measuring plate, and set up a temporary reference surface near the rail mounting surface on the bed. Check and align the parallelism of rails and then tighten bolts sequentially.



Using a straight edge

At first temporarily tighten rail onto the bed, then use a dial gauge to align the straightness of rail. Tighten the bolts in sequence.

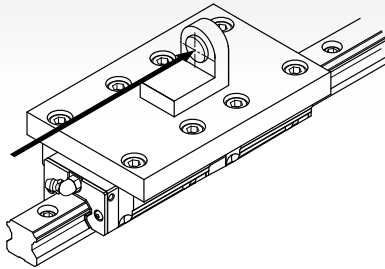


The installation of subsidiary carriage and rail is same as the prior examples

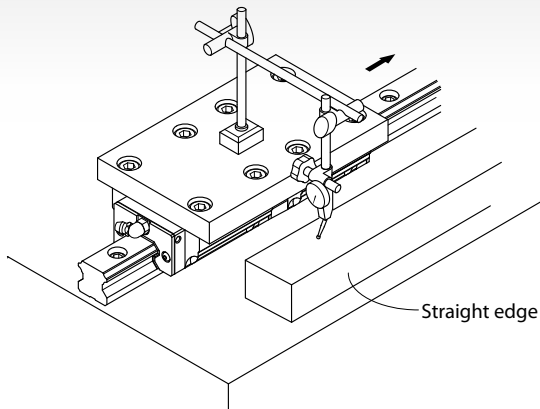
Accuracy Measurement after Installation

The running accuracy can be obtained by tightening the two carriages onto the measuring plate. A dial gauge or autocollimeter is used for measuring the accuracy. If a dial gauge is used, the straight edge should be placed as close to carriage as possible for accurate measurement.

Measuring with an Autocollimeter



Measuring with a Dial Gauge



The Recommended Tightening Torque for Rails

The improper tightening torque could affect the mounting accuracy, so tightening the bolts by torque wrench to specified torque is highly recommended. Different types of mounting surface should have different torque value for applications.

Unit: N-m

Bolt Model	Torque Value		
	Iron	Cast iron	Aluminum
M2	0.6	0.4	0.3
M3	2	1.3	1
M4	4	2.7	2
M5	8.8	5.9	4.4
M6	13.7	9.2	6.8
M8	30	20	15
M10	68	45	33
M12	120	78	58
M14	157	105	78
M16	196	131	98
M20	382	255	191

Note: 1 N-m = 0.738 lbf-ft

Options

Dust Proof

Code of contamination protection

Code of contamination protection for Carriage

- MSA, MSB Series :

Code	Contamination Protection
no symbol	Scraper(both ends)
UU	Bidirectional end seal(both ends)
SS	Bidirectional end seal+Bottom seal
ZZ	SS+Scraper
DD	Double bidirectional end seal+Bottom seal
KK	DD+Scraper
LL	Low frictional end seal
RR	LL+Bottom seal
HD	high dust prove end seal +high dust prove inner and bottom seal (supply MSA15S~35S , MSB15S~20S)

- MSG, MSR, SMR, SME Series

Code	Contamination Protection
no symbol	Scraper(both ends)
UU	Bidirectional end seal(both ends)
SS	Bidirectional end seal+Bottom seal+Inner seal
ZZ	SS+Scraper
DD	Double bidirectional end seal+Bottom seal+Inner seal
KK	DD+Scraper

- MSC, MSD Series :

Code	Contamination Protection
LL	Low frictional end seal
RR	LL+Bottom seal

Code of contamination protection for Rail

- MSA, MSB, MSG, MSR, SMR, SME Series :

Code	Contamination Protection
/CC	Cover strip
/CB	Cover strip (Buckle Type)
/MC	Copper bolt cap
/MD	Stainless bolt cap

Note: There are two metallic bolt caps of copper and stainless that could be supplied by customer's choice.

Note: Buckle Type: Apply to MSR, SMR Series

Seal materials choice

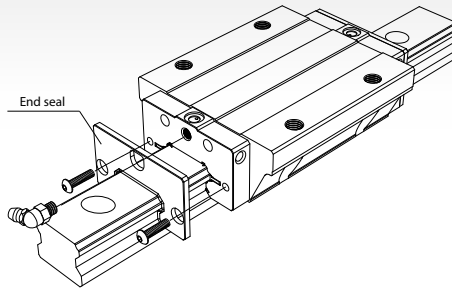
Beside the standard seal NBR that FKM (Fluorocarbon Rubber) seal or HNBR (Hydrogenated Nitrile Butadiene Rubber) seal could be supplied as requirement by customer's choice.

Because FKM and HNBR series are not standard products, we do not prepare stocks. Customization is necessary.

Contamination protection

Each series of linear guideway offers various kinds of dust protection accessory to keep the foreign matters from entering into the carriage.

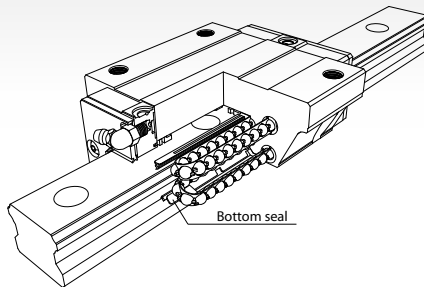
End seal



Two types of sealing are available:

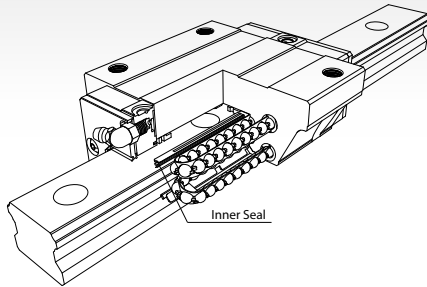
1. Bidirectional seal for high dust protection required.
2. Monodirectional seal for low frictional resistance required.

Bottom seal



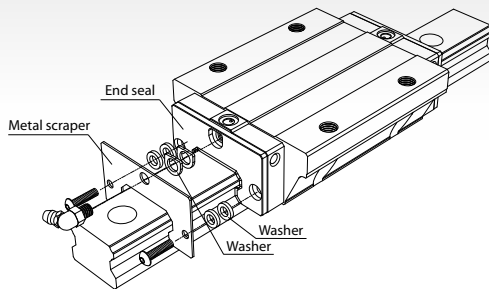
Prevent the inclusion of foreign matters from the bolt hole.

Inner Seal



Preventing the inclusion of foreign matters from bottom of carriage.

Metal scraper



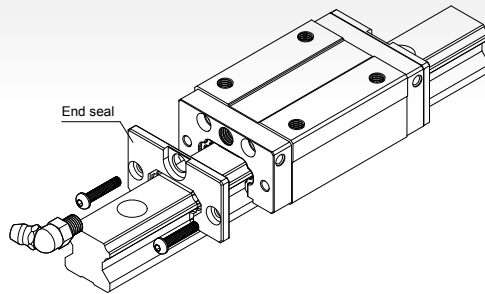
Removing spatters, iron chips , and large foreign matters as well as protecting the end seals.

HD-Enhanced Dust-proof

Construction

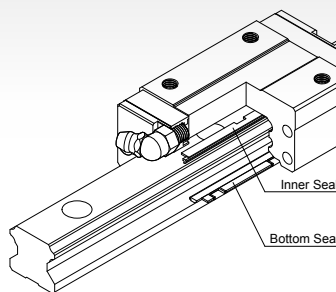
According to the environmental and operational conditions, *PMI* provide enhanced contamination protection could be supplied as requirement by customer's choice, the excellent of enhanced contamination protection to prevent dust enter the carriage.

high dust end seal



offer special design bidirectional end seal

high dust inner and bottom seal



Prevent the foreign matters enter the carriage from the bolt hole.

Features

- Inner seal attached, having better seal effect than normal dust-proof attachment.
- Bidirectional end seal design strengthens the contact of rails with dust-proof end seal and high dust-proof inner & bottom seal.
- The size and length of enhanced dust-proof is the same as normal ones. And also have double effect of dust-proof.

Application

- Applicable to carpentry industry.
- Other high-dust environment.

Test Conditions

Specification:MSA25SHD

Running Length	500mm (per cycle)
Test Distance	150Km
Feed Rate	1.7m/min
Particle Amount	Spray continuously

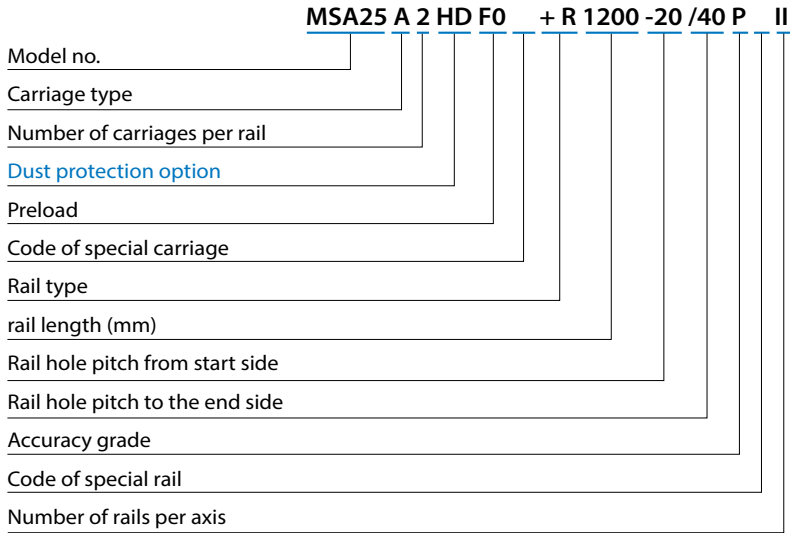
Result



After running 150 KM in a wood flour test environment, the carriage is still moving smoothly and the steel balls are also glossy. The end seal and inner seal protect against wood flour from entering the carriage. Overall running smoothness is not effected.

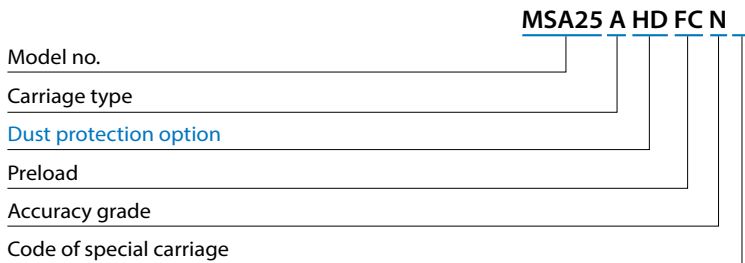
Description of Specification

- Non-Interchangeable Type



Note: Rail Model-MSA15, MSA20, MSA25, MSA30, MSA35, MSB15, MSB20(A type, E type, S type)

- Interchangeable Type Carriage



Note: Rail Model- MSA15, MSA20, MSA25, MSA30, MSA35, MSB15, MSB20(A type, E type, S type)

Each Series of linear guideway with different dust-proof accessories, comparing with standard dust-proof accessories, the overall length of carriage is different, as below table shown:

MSA Series

Unit: mm

Model No.	No symbol	UU	SS	LL	RR	ZZ	DD	KK	HD
15	0	-	-	-	-	5	5	10	3
20	1.4	-	-	-	-	7	5.6	12.6	0.4
25	1.4	-	-	-	-	7	5.6	12.6	0.4
30	1.4	-	-	-	-	7	5.6	12.6	0.4
35	0.6	-	-	-	-	7.8	7.2	15	-
45	0.6	-	-	-	-	7.8	7.2	15	-
55	-	-	-	-	-	7.8	7.8	15.6	-
65	-	-	-	-	-	7.8	7.8	15.6	-

MSB Series

Unit: mm

Model No.	No symbol	UU	SS	LL	RR	ZZ	DD	KK	HD
15	-	-	-	-	-	5	5	10	1
20	1	-	-	-	-	7	6	13	-
25	1	-	-	-	-	7	6	13	-
30	1	-	-	-	-	7	6	13	-
35	0.6	-	-	-	-	7.8	7.2	15	-

MSG Series

Unit: mm

Model No.	no symbol	UU	SS	ZZ	DD	KK
21	1	-	-	7	6	13
27	1	-	-	7	6	13
35	1.8	-	-	7.8	6	13.8

MSR, SMR Series

Unit: mm

Model No.		no symbol	UU	SS	ZZ	DD	KK
MSR 20	-	2	-	-	6	6	12
MSR 25	SMR 25	2	-	-	6	6	12
MSR 30	SMR 30	2	-	-	7	6	13
MSR 35	SMR 35	2	-	-	7	6	13
MSR 45	SMR 45	1.6	-	-	7	6.4	13.4
MSR 55	SMR 55	0.8	-	-	7.8	7.2	15
MSR 65	SMR 65	0.8	-	-	7.8	7.8	15.6

SME Series

Unit: mm

Model No.	no symbol	UU	SS	ZZ	DD	KK
15	0.4	-	-	6	5.6	11.6
20	1	-	-	7	6	13
25	1	-	-	7	6	13
30	1.4	-	-	7	5.6	12.6
35	1	-	-	7.8	6.8	14.6
45	0.6	-	-	7.8	7.2	15

Resistance value of seal

MSA series

The maximum resistance value of MSA series with seals type UU when it is applied with grease is shown below.

Unit: N

Model No.	Resistance	
	UU	HD
15	2	18
20	3.5	19
25	4	30
30	6	23
35	10	25
45	12	-
55	18	-
65	30	-

MSB series

The maximum resistance value of MSB series with seals type UU when it is applied with grease is shown below.

Unit: N

Model No.	Resistance	
	UU	HD
15	2	18
20	3.5	19
25	4	-
30	6	-
35	10	-

MSC, MSD series

The maximum resistance value of MSC series with seals type LL when it is applied with grease is shown below.

MSC

Unit: N

Model No.	Resistance
7	0.08
9	0.1
12	0.4
15	0.8

MSD

Unit: N

Model No.	Resistance
7	0.4
9	0.8
12	1.1
15	1.3

MSR, SMR series

The maximum resistance value of MSR and SMR series with seals type UU when it is applied with grease is shown below.

Unit: N

Model No.		Resistance
MSR 20	-	3.5
MSR 25	SMR 25	4.5
MSR 30	SMR 30	8
MSR 35	SMR 35	12
MSR 45	SMR 45	18
MSR 55	SMR 55	20
MSR 65	SMR 65	35

SME series

The maximum resistance value of SME series with seals type UU when it is applied with grease is shown below.

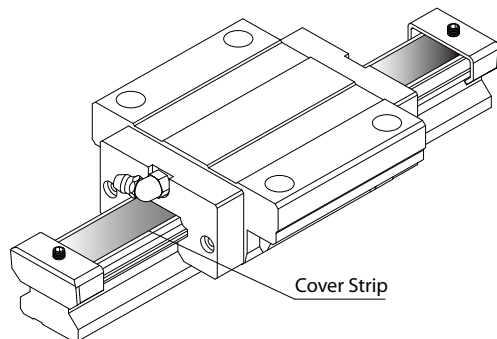
Unit: N

Model No.	Resistance
15	2
20	3.5
25	4
30	6
35	10
45	12

Cover Strip

A special designed of cover strip is used to cover the bolt hole to prevent the foreign matters from entering the carriage. Indicate that the cover strip is required when ordering the guideway. Please refer to [B1-233] "Code of Contamination Protection for Rail" for the ordering code.

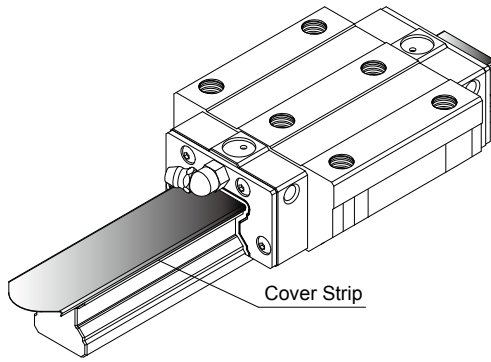
Standard Type (Apply to MSA 、 MSB 、 SME 、 MSR 、 SMR Series)



Note: When mounting the cover strip, the rail needs to be machined. The cover strip does not increase the height of rail.

Buckle Type (Apply to MSR, SMR Series)

For the customer application, PMI design the buckle type of cover strip. The cover strip is fixed on the rail, and that will increase the assembly height of rail.



Series	Increment(mm)	Assembly Height of Rail(mm)
SMR25/MSR25	0.3	23.8
SMR30/MSR30	0.3	27.8
SMR35/MSR35	0.3	30.8
SMR45/MSR45	0.3	37.3
SMR55/MSR55	0.3	43.3
SMR65/MSR65	0.3	52.3

Note: Due to the increase of the cover strip thickness, the preload will increase after mounting.

Caps for rail mounting hole

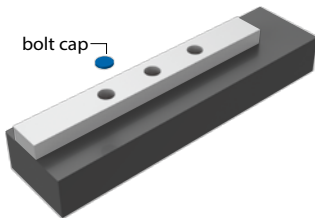
A special designed of cap is used to cover the bolt hole to prevent the foreign matters from entering the carriage. According to difference of application, **PMI** provide two kind of caps for selection, made by plastic and metal. The metallic cap is for option, please specify when ordering. The plastic cap is mounted by using a plastic hammer with a flat pad placed on the top, until the top of cap is flush to the top surface of rail. The dimension of caps for different sizes of rail is shown.

Installation of plastic and metal cap

According to the environmental and operational conditions, choose plastic or metal, plastic and metal model cap size, please refer to **Table 1**, **Table 2**.

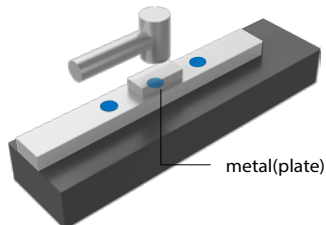
The steps of installing bolt cap with rail by below indicated figures

step.1



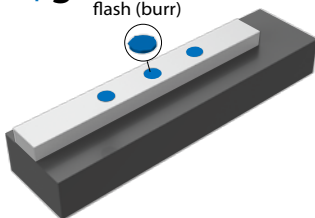
Put the cap into the bolt hole of rail.

step.2



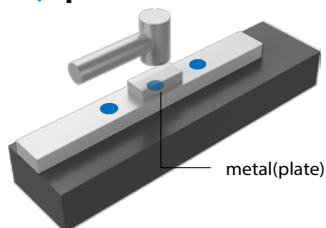
Put the plate on the cap, then pound it into the bolt of rail with rubber hammer vertically.

step.3



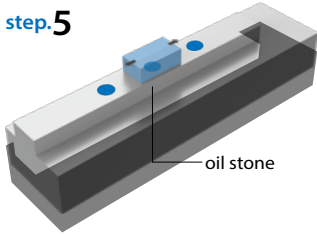
Clear the "shaving" away from the side of bolt hole.

step.4



Continue pounding the cap until the cap is on the same plane with the top surface of rail.

step.5



Use oil stone to polish the surface of caps and mop them with clean bunny cloth. And finally check the installation is good for smoothing by your finger.

Install attention

Owing to the side of hole is very sharp during installation. Therefore, pay special attention for safety in case of finger and hands be slashed.

Table 10

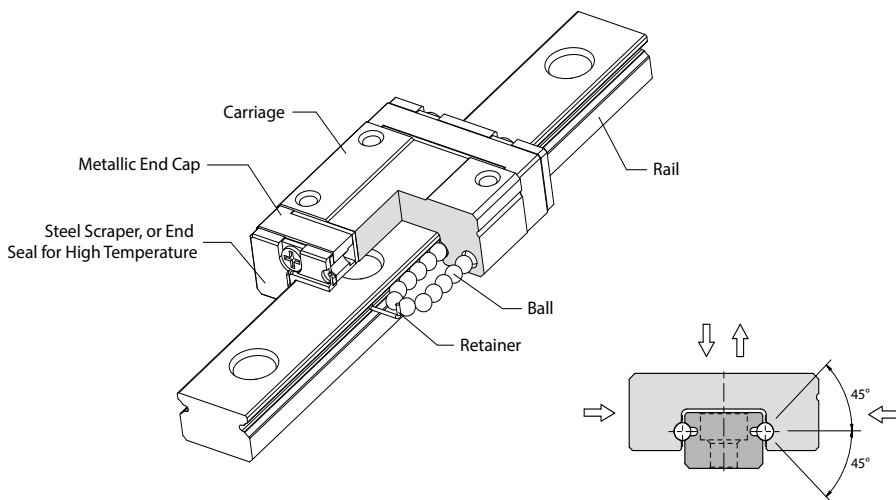
Code of Plastic Cap	Bolt Size	Rail Model					
M3C	M3		MSB15R				
M4C	M4	MSA15R	MSB15U		SME15R		MSG21R MSG27R
M5C	M5	MSA20R	MSB20R	MSR20R	SME20R		
M6C	M6	MSA25R	MSB25R MSB30R	MSR25R	SME25R	SMR25R	MSG35R
M8C	M8	MSA30R MSA35R	MSB30U MSB35R	MSR30R MSR35R	SME30R SME35R	SMR30R SMR35R	
M12C	M12	MSA45R		MSR45R	SME45R	SMR45R	
M14C	M14	MSA55R		MSR55R		SMR55R	
M16C	M16	MSA65R		MSR65R		SMR65R	

Table 11

Code of Metallic Cap	Bolt Size	Rail Model					
M4MC	M4	MSA15R	MSB15U		SME15R		MSG21R MSG27R
M5MC	M5	MSA20R	MSB20R	MSR20R	SME20R		
M6MC	M6	MSA25R	MSB25R MSB30R	MSR25R	SME25R	SMR25R	MSG35R
M8MC	M8	MSA30R MSA35R	MSB30U MSB35R	MSR30R MSR35R	SME30R SME35R	SMR30R SMR35R	
M12MC	M12	MSA45R		MSR45R	SME45R	SMR45R	
M14MC	M14	MSA55R		MSR55R		SMR55R	
M16MC	M16	MSA65R		MSR65R		SMR65R	

ME Type- Metallic End Cap Linear Guideway

Construction and Characteristics



Features

- Use of metallic parts.
- Excellent temperature resistance; service temperature under 140°C °
- High-temperature rubber (FKM) in end seal is available, please contact our sales for your specific design requirement.

Applications

- Welding equipment.
- Heat treatment equipment.
- Applications using vacuums (no vapor dispersion from plastic or rubber).

Description of Specification

Non-Interchangeable Type

	MSC	7	M	2	LL	FZ	/ME	+R	600	-7.5/7.5	N	II
Model no.												
Carriage type												
Number of carriages per rail												
Dust protection option												
Preload												
Code of special carriage												
ME Type												
Rail type												
rail length (mm)												
Rail hole pitch from start side												
Rail hole pitch to the end side												
Accuracy grade												
Code of special rail												
Number of rails per axis												

Note: Applicable specifications- MSC7M, MSC7LM, MSC9M, MSC9LM, MSC12M, MSC12LM, MSC15M, MSC15LM, MSD12M, MSD12LM, MSD15M, MSD15LM.

Note: ME Type - No bottom seal.

Lubrication

A well lubrication is important for maintaining the function of linear guideway. If the lubrication is not sufficient, the frictional resistance at rolling area will increase and the service life will be shortened as a result of wear of rolling parts.

Two primary lubricants are both grease and oil used for linear motion system, and the lubrication methods are categorized into manual and forced oiling. The selection of lubricant and its method should be based on the consideration of operating speed and environment requirement.

Grease lubrication

The grease feeding interval will be varied with different operating conditions and environments. Under normal operating condition, the grease should be replenished every 100km of travel. The standard grease is lithium-based grease No.2. Moving the carriage back and forth with minimum stroke length of length of 3 carriages after the carriages been greased. To assure the grease is evenly distributed inside of carriage, the mentioned process should be repeated twice at least.

Grease amount to be bed

Model No.	Initial Feeding Amount(cm ³)	Amount for Replenishing(cm ³)
MSA 15	1.1	0.4
MSA 20	2.1	0.7
MSA 25	3.5	1.2
MSA 30	5.8	1.9
MSA 35	8.2	2.7
MSA 45	16.1	5.4
MSA 55	27.1	9.0
MSA 65	51.6	17.2
MSA 20L	3.1	1.0
MSA 25L	5.1	1.7
MSA 30L	8.2	2.7
MSA 35L	11.8	3.9
MSA 45L	23.0	7.7
MSA 55L	38.8	12.9
MSA 65L	77.8	25.9
MSB 15	1.0	0.3
MSB 20	1.5	0.5
MSB 25	2.8	0.9
MSB 30	4.5	1.5
MSB 35	8.2	2.7
MSB 15T	0.4	0.1
MSB 20T	0.7	0.2
MSB 25T	1.5	0.5
MSB 30T	2.2	0.7
MSB 35L	11.8	3.9
MSG 21	1.2	0.4
MSG 27	2.1	0.7
MSG 35	5.6	1.9
MSC 7	0.06	0.02
MSC 9	0.16	0.05
MSC 12	0.25	0.08
MSC 15	0.49	0.16
MSC 7L	0.11	0.04
MSC 9L	0.24	0.08
MSC 12L	0.42	0.14
MSC 15L	0.80	0.27
MSD 7	0.19	0.06
MSD 9	0.42	0.14
MSD 12	0.73	0.24

Model No.	Initial Feeding Amount(cm ³)	Amount for Replenishing(cm ³)
MSD 15	1.51	0.50
MSD 7L	0.28	0.09
MSD 9L	0.60	0.20
MSD 12L	1.07	0.36
MSD 15L	2.18	0.73
MSR 20	3.0	1.0
MSR 25	4.5	1.5
MSR 30	7.0	2.3
MSR 35	9.6	3.2
MSR 45	17.1	5.7
MSR 55	26.0	8.7
MSR 25L	5.5	1.8
MSR 30L	8.7	2.9
MSR 35L	12.3	4.1
MSR 45L	22.0	7.3
MSR 55L	34.3	11.4
MSR 65L	64.8	21.6
SMR 25	5.9	2.0
SMR 30	8.8	2.9
SMR 35	12.6	4.2
SMR 45	21.0	7.0
SMR 55	32.1	10.7
SMR 25L	7.2	2.4
SMR 30L	11.0	3.7
SMR 35L	16.0	5.3
SMR 45L	26.5	8.8
SMR 55L	42.6	14.2
SMR 65L	76.1	25.4
SME 15	1.6	0.5
SME 20	2.6	0.9
SME 25	4.1	1.4
SME 30	6.0	2.0
SME 35	9.7	3.2
SME 45	13.2	4.4
SME 20L	3.6	1.2
SME 25L	5.2	1.7
SME 30L	8.1	2.7
SME 35L	13.0	4.3
SME 45L	18.5	6.2

Oil lubrication

The recommended viscosity of oil is 30~150 cst, and the recommended feeding rate per hour is shown as table below. The installation other than horizontal may caused the oil unable to reach raceway area, so please specify the installed direction your linear guideway applied. Reference is shown in **page B1-214**, Installation Direction of Linear Guideway.

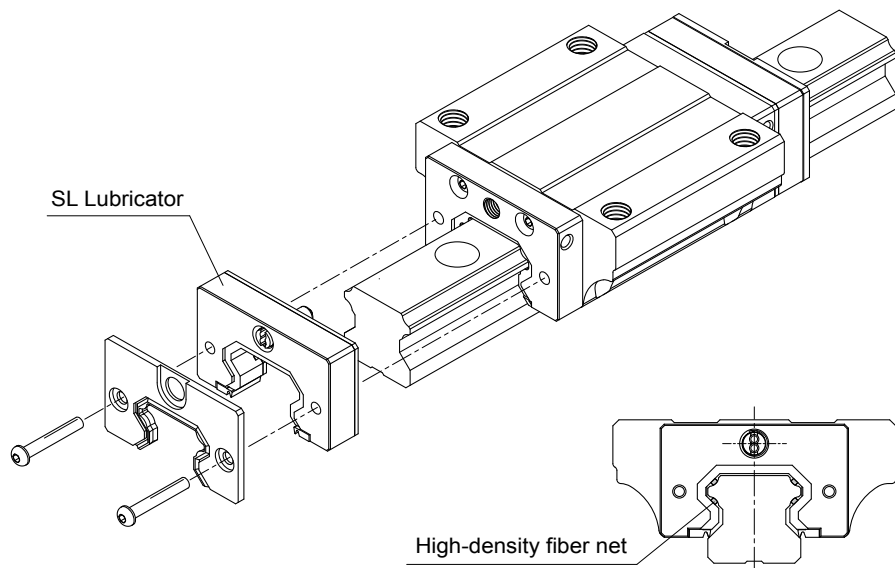
Oil lubrication feeding rate

Model No.	Initial Feeding Amount(cm ³)	Feeding Rate (cm ³ /hr)
15	0.6	0.2
20	0.6	0.2
25	0.9	0.3
30	0.9	0.3
35	0.9	0.3
45	1.2	0.4
55	1.5	0.5
65	1.8	0.6
MSG 21	0.6	0.2
MSG 27	0.9	0.3
MSG 35	0.9	0.3

Note: When the operating stroke length less than the sum of length of two carriages, the lubrication fitting should be applied on both ends of carriage for adequacy. Moreover, if the stroke length less than a half of the length of a carriage, the carriage should be moved back and forth up to the length of two carriages while lubricating.

SL Lubricator

Construction and Characteristics



Characteristics

PMISL lubricator unit is designed with an oil reservoir which equipped with a high-density fiber net. Through the fiber net the lubricant can be steadily fed onto the surface of raceway to satisfy the required lubricating function.

- Lengthening the interval between maintenance works

Contrary to the oil losing problem caused from ordinary lubrication, the SL lubricator effectively and evenly distribute needed amount of oil on to ball raceway during the movement. Therefore, the interval between maintenance works can be greatly extended.

- To avert the pollution

Through the use of SL lubricator, only the needed amount of oil will be fed for the purpose of lubrication, thereby the oil is almost nothing to lose in application. As a result, the environment will not be contaminated by waste oil.

- Cost reduction

Saving the expense from oil loss and lubricating device.

- Enables the most suitable oil for the purpose of use to be selected

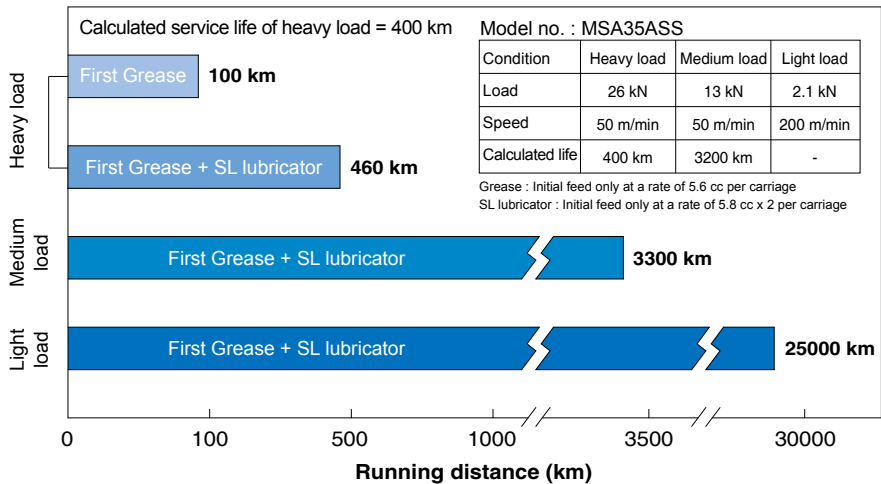
The SL lubricator makes it possible to select the most proper lubricant for your application of linear guideway.

Performance

- Lengthening the interval between maintenance works

By using the SL lubricator, the interval between maintenance work can be lengthened at all load rating.

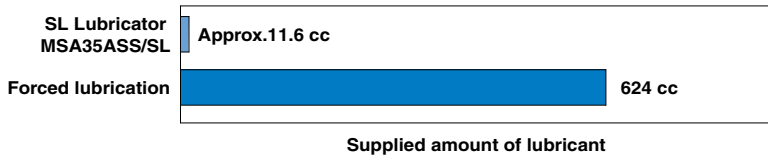
- Running Test without Replenishment of Lubricant



- Effective use of lubricant

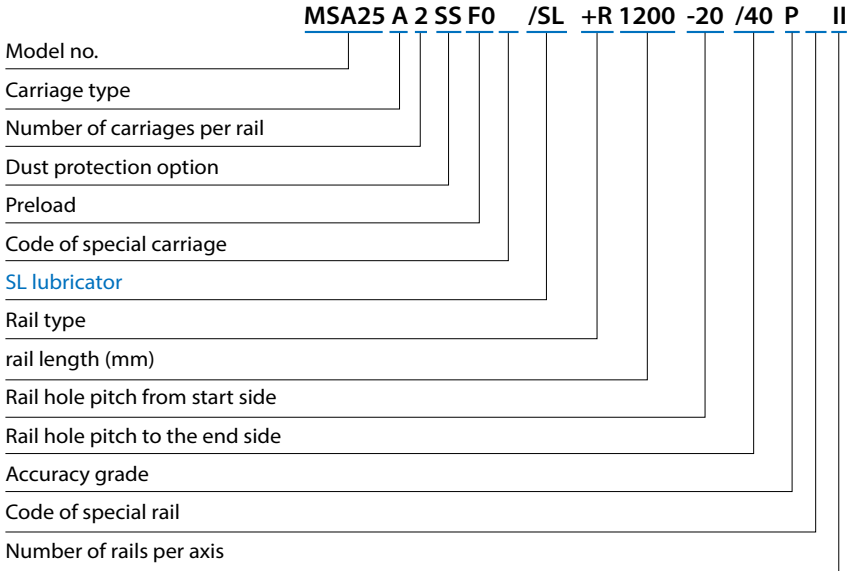
Since only the needed amount of lubricant will be applied to needed location, thereby effective use of lubricant can be achieved and the waste of lubricant can also be avoided.

- Annual Lubricant Consumption per Carriage

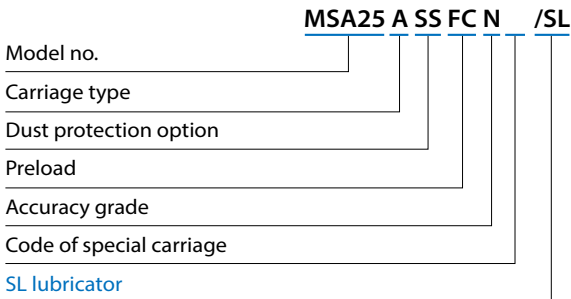


Description of Specification

- Non-Interchangeable Type

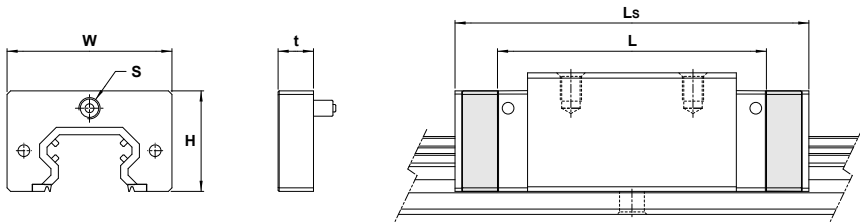


- Interchangeable Type Carriage



Dimensions of the SL Lubricator

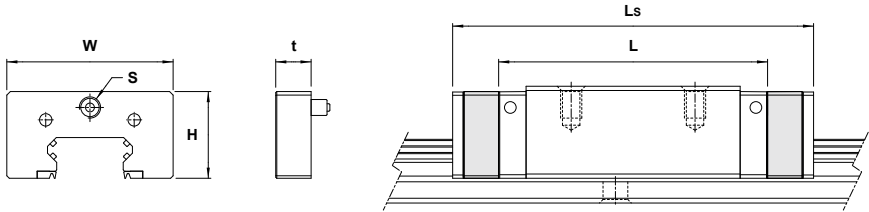
- MSA series



Model No.		SL Lubricator dimension (mm)				Carriage dimension (mm)	
		Height H	Width W	Thickness t	Tapped hole S	Standard length L	SL Lubricator overall length Ls
MSA 15SL	A/E/S	19	31.2	10	M4	51.3	76.3
MSA 20SL	A/E/S	21.2	42.8	10	M6	67.3	92.9
	LA/LE/LS					83.2	108.8
MSA 25SL	A/E/S	28.5	46.8	10	M6	76	101.6
	LA/LE/LS					95	120.6
MSA 30SL	A/E/S	32	57	10	M6	91.4	117
	LA/LE/LS					113.6	139.2
MSA 35SL	A/E/S	36.5	68	10	M6	104	131.2
	LA/LE/LS					129.4	156.6
MSA 45SL	A/E/S	49	83.6	15	1/8PT	130.5	167.7
	LA/LE/LS					162.3	199.5
MSA 55SL	A/E/S	53	97	15	1/8PT	153.7	191.5
	LA/LE/LS					191.7	229.5
MSA 65SL	A/E/S	67	120	15	1/8PT	191.2	229
	LA/LE/LS					245.2	283

Note: Supply the Dust proof series(UU、SS、ZZ、LL、RR)

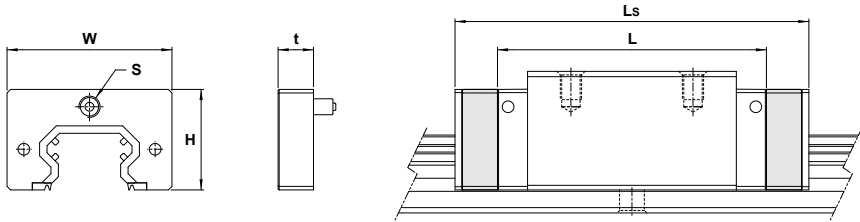
• MSB series



Model No.		SL Lubricator dimension (mm)				Carriage dimension (mm)	
		Height H	Width W	Thickness t	Tapped hole S	Standard length L	SL Lubricator overall length Ls
MSB 15SL	TE/TS	18.5	33	10	M4	35.2	60.2
	E/S					52.2	77.2
MSB 20SL	TE/TS	21.2	40.8	10	M6	42	68
	E/S					61	87
MSB 25SL	TE/TS	24.5	47	10	M6	54.2	80.2
	E/S					76	102
MSB 30SL	TE/TS	30.8	57	10	M6	62	88
	E/S					90.7	116.7
MSB 35SL	TE/TS	37	68.5	10	M6	70.8	98
	E/S					104.8	132
	LE/LS					130.3	157.5

Note: Supply the Dust proof series(UU \ SS \ ZZ \ LL \ RR)

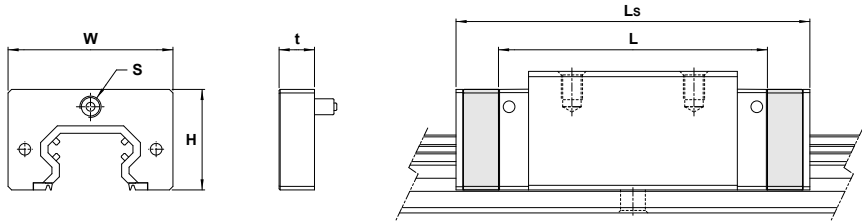
• MSR series



Model No.		SL Lubricator dimension (mm)				Carriage dimension (mm)	
		Height H	Width W	Thickness t	Tapped hole S	Standard length L	SL Lubricator overall length Ls
MSR 25SL	E/S	30.2	47	10	M6	91.5	117.5
	LE/LS					109.5	135.5
MSR 30SL	E/S	34.5	58.6	10	M6	106.4	132.4
	LE/LS					129.2	155.2
MSR 35SL	E/S	40.5	69	10.3	M6	119.3	145.9
	LE/LS					147.5	174.1
MSR 45SL	E/S	50.9	84	15.3	1/8PT	147.8	184.8
	LE/LS					183	220
MSR 55SL	E/S	58.5	98	15.3	1/8PT	178.2	216
	LE/LS					228.2	266
MSR 65SL	LE/LS	76.5	122	15	1/8PT	292.6	330.4

Note: Supply the Dust proof series(UU \ SS \ ZZ)

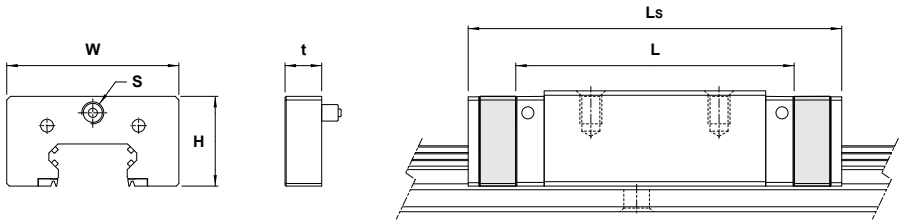
• SMR series



Model No.		SL Lubricator dimension (mm)				Carriage dimension (mm)	
		Height H	Width W	Thickness t	Tapped S	Standard length L	SL Lubricator overall length LS
SMR 25SL	E/S	30.2	47	10	M6	91.5	117.5
	LE/LS					109.5	135.5
SMR 30SL	E/S	34.5	58.6	10	M6	106.4	132.4
	LE/LS					129.2	155.2
SMR 35SL	E/S	40.5	69	10.3	M6	119.3	145.9
	LE/LS					147.5	174.1
SMR 45SL	E/S	50.9	84	15.3	1/8PT	147.8	184.8
	LE/LS					183	220
SMR 55SL	E/S	58.5	98	15.3	1/8PT	178.2	216
	LE/LS					228.2	266
SMR 65SL	LE/LS	76.5	122	15	1/8PT	294.2	332

Note: Supply the Dust proof series(UU \ SS \ ZZ)

• SME series

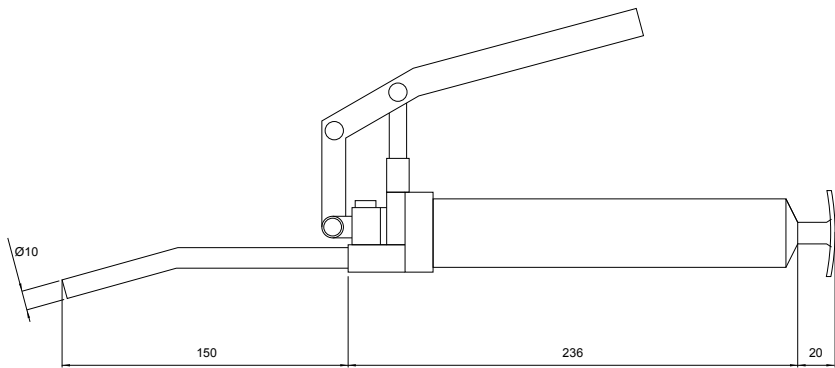


Model No.		SL Lubricator dimension (mm)				Carriage dimension (mm)	
		Height H	Width W	Thickness t	Tapped hole S	Standard length L	SL Lubricator overall length Ls
SME 15SL	E/S	20.1	33.2	10	M4	59	84.4
	LE/LS					74	99.4
SME 20SL	E/S	22.8	41.4	10	M6	72.5	98.5
	LE/LS					91.5	117.5
SME 25SL	E/S	26.1	47.2	10	M6	86	112
	LE/LS					103	129
SME 30SL	E/S	33.5	58.5	10	M6	101.6	127.6
	LE/LS					126.6	152.6
SME 35SL	E/S	38.5	68	10	M6	113.8	140.6
	LE/LS					143.8	170.6
SME 45SL	E/S	49	83.6	15	1/8PT	132.8	170
	LE/LS					167.3	204.5

Note: Supply the Dust proof series(UU \ SS \ ZZ)

Lubrication equipment - Grease gun

Grease gun used different nozzles installed on different oiling the supplementary grease.



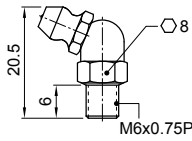
Size and working condition :

discharge pressure	15MPa
discharge rate	0.35g / stroke
weight (excluding the grease)	680g
overall length	about 400mm
width	about 120mm
outside diameter of nozzle	$\varnothing 10$ mm

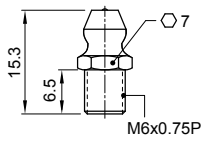
Grease nipple and piping joint

Grease nipple

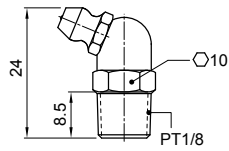
G-M6



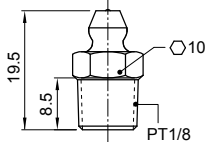
GS-M6



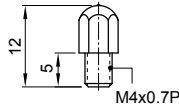
G-PT1/8



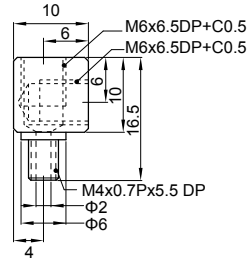
GS-PT1/8



G-M4



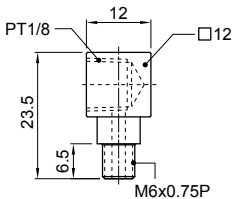
TS-A(Connect Fitting)



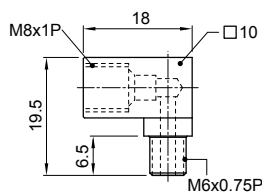
Oil piping joint

- OL Type

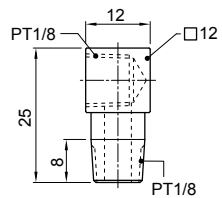
OL-A



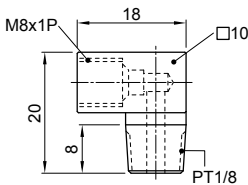
OL-B



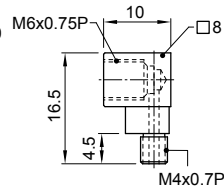
OL-C



OL-D

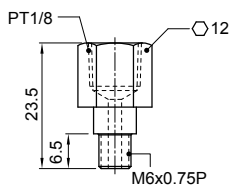


OL-E

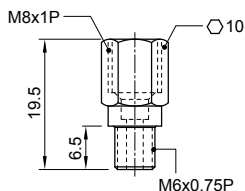


• OS Type

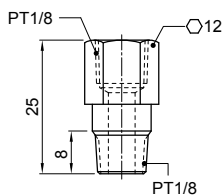
OS-A



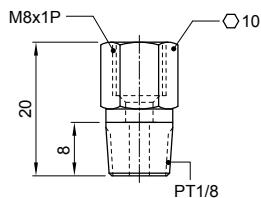
OS-B



OS-C



OS-D



Model No.						Dust Proof Type							
						SS		DD		ZZ		KK	
MSA15	MSB15	SME15		MSR20		G-M4	OL-E	G-M4L	OL-EL	G-M4L	OL-EL	G-M4L	OL-EL
MSA20	MSB20	SME20				G-M6	GS-M6	G-M6M	GS-M6M	G-M6M	GS-M6M	G-M6L	GS-M6L
MSA25	MSB25	SME25	SMR25	MSR25	MSG21	OL-A	OL-B	OL-AL	OL-BLR	OL-AL	OL-BLR	OL-AL	OL-BLR
MSA30	MSB30	SME30	SMR30	MSR30	MSG27	OS-A	OS-B	OS-AL	OS-BL	OS-AL	OS-BL	OS-AL	OS-BL
MSA35	MSB35	SME35	SMR35	MSR35	MSG35								
MSA45		SME45	SMR45	MSR45		G-PT1/8	GS-PT1/8	G-PT1/8L	GS-PT1/8L	G-PT1/8L	GS-PT1/8L	G-PT1/8L	GS-PT1/8L
MSA55			SMR55	MSR55		OL-C	OL-D	OL-CL	OL-DL	OL-CL	OL-DL	OL-CL	OL-DL
MSA65			SMR65	MSR65		OS-C	OS-D	OS-CL	OS-DL	OS-CL	OS-DL	OS-CL	OS-DL

Note: 1.MSA15-ZZ and MSA15-DD use the nipple"G-M4"

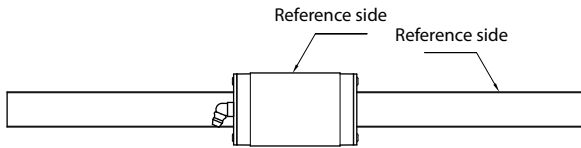
2.When MSB15 use the nipple "OL-E", change the nipple to "OL-EL"

The Relationship between the Direction of Lubrication and the Reference Side

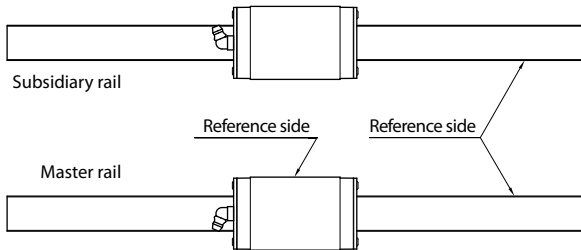
The standard lubrication fitting is grease nipple (G-M6、G-PT1/8、G-M4). The code of different types of application for lubrication fittings are shown below. For cases other than specified, please contact us for confirmation.

The relationship between the direction of lubrication and the reference side

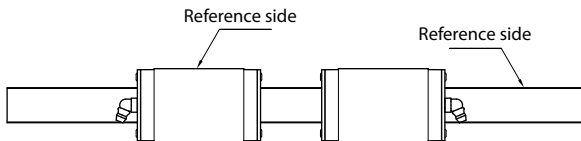
Code: C1R1



Code: C1R2



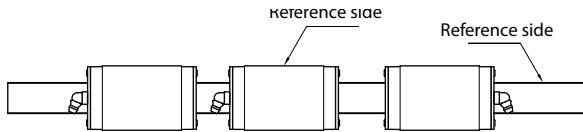
Code: C2R1



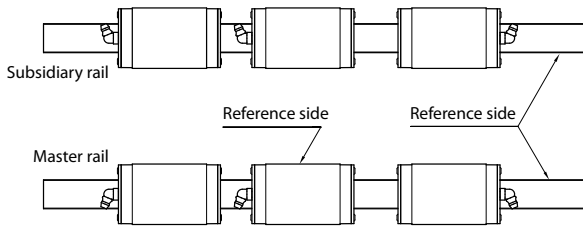
Code: C2R2



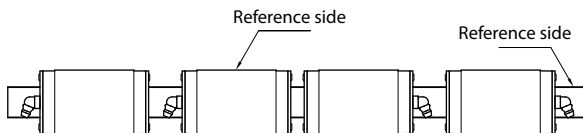
Code: C3R1



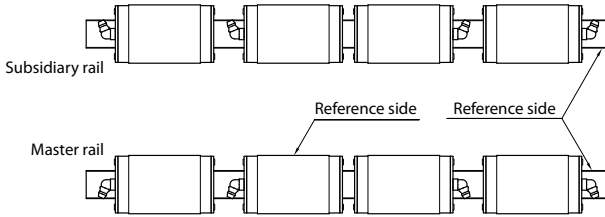
Code: C3R2



Code: C4R1



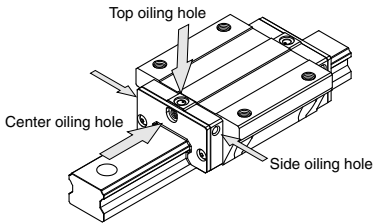
Code: C4R2



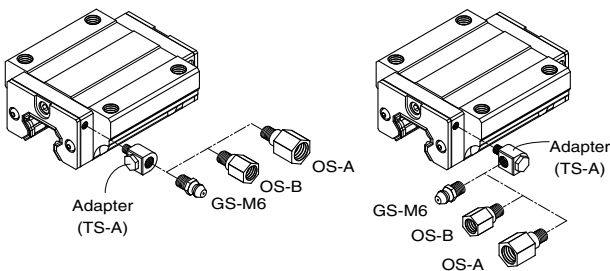
Lubrication position

The standard mounting locating of carriage is at the center of both ends. As for lateral and top application, please specify when ordering. As shown as below, the lateral application is achieved by using a adapter to connect the grease/oil fitting to the hole on the carriage.

Lubrication location

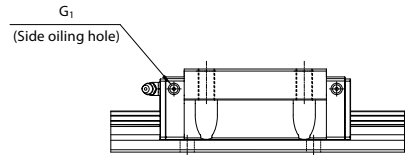
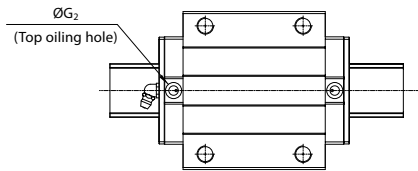


Lateral usage



Model No.		Center	Side	
		Nipple	G1	Nipple
MSA 15	MSB 15	G-M4	M4×0.7P	G-M4
MSA 20	MSB 20	G-M6	M4×0.7P	G-M4
MSA 25	MSB 25	G-M6	M4×0.7P	G-M4
MSA 30	MSB 30	G-M6	M4×0.7P	G-M4
MSA 35	MSB 35	G-M6	M4×0.7P	G-M4
MSA 45		G-PT1/8	M4×0.7P	G-M4
MSA 55		G-PT1/8	M4×0.7P	G-M4
MSA 65		G-PT1/8	M4×0.7P	G-M4

Note: MSA and MSB series have no top oiling hole for option.



Model No.	Center	Side		Top	
	Nipple	G1	Nipple	G2	O-ring
MSG 21	G-M6	M4×0.7P	G-M4	-	-
MSG 27	G-M6	M4×0.7P	G-M4	6.1	P3
MSG 35	G-M6	M4×0.7P	G-M4	7.3	P4

Note: Side oiling can't adopt TS-A

Model No.		Center	Side		Top	
		Nipple	G1	Nipple	G2	O-ring
-	MSR 20	G-M4	M4×0.7P	G-M4	9.2	P6
SMR 25	MSR 25	G-M6	M6×0.75P	G-M6	10.2	P7
SMR 30	MSR 30	G-M6	M6×0.75P	G-M6	10.2	P7
SMR 35	MSR 35	G-M6	M6×0.75P	G-M6	10.2	P7
SMR 45	MSR 45	G-PT1/8	M6×0.75P	G-M6	10.2	P7
SMR 55	MSR 55	G-PT1/8	M6×0.75P	G-M6	10.2	P7
SMR 65	MSR 65	G-PT1/8	M6×0.75P	G-M6	10.2	P7

Model No.		Center	Side		Top	
		Nipple	G1	Nipple	G2	O-ring
SME 15		G-M4	M4×0.7P	G-M4	-	-
SME 20		G-M6	M4×0.7P	G-M4	-	-
SME 25		G-M6	M4×0.7P	G-M4	-	-
SME 30		G-M6	M6×0.75P	G-M6	10.2	P7
SME 35		G-M6	M6×0.75P	G-M6	10.2	P7
SME 45		G-PT1/8	M6×0.75P	G-M6	10.2	P7

Surface Treatment

The surface of the rails and carriages of linear motion system can be treated for anti-corrosive or aesthetic purposes.

The Surface Treatment consists of the following 4 types.

Electroless Nickel Plating(PS-N)

Thickness	Unilateral 3 ~ 5 μm .
Color	Shiny.
Hardness	HV500
Characteristic	<ol style="list-style-type: none">1.Uniformity of the deposits, even on complex shapes.2.Deposits have good adhesion and excellent corrosion resistance.3.Provide an inherent lubricity and low coefficient of friction.4.Deposits have high hardness with resistance to abrasion and great solderability.5.These are applicable for guideway required of rust prevention or glossy appearance.



Hard Chrome Plating(PS-HC)

Thickness	Unilateral 5 μm .
Color	Silvery white.
Hardness	HV900~1000
Characteristic	<ol style="list-style-type: none"> 1. Provide a lustrous and good adhesion. 2. Stability and keep color in a humid atmosphere. 3. These are applicable for pistons and suspension elements applications ,provide characteristic high hardness and low coefficient of friction. 4. These are applicable for high hardness, acidproof alkali and abrasion resistance applications.



Black Chrome Plating(PS-C)

Thickness	Unilateral 10~15 μm .
Color	Matte Black.
Hardness	HV230~350
Characteristic	<ol style="list-style-type: none"> 1. High efficiency light absorption characteristics and reduces light reflectivity. 2. Dispersible corrosion current function and excellent corrosion resistance. 3. Uniformity of the deposits. 4. These material are applicable for iron, steel, stainless steel, copper and aluminum. 5. These are applicable for semiconductor, LCD, optoelectronics, cleanrooms, automated production packaging / packaging and testing, optics, instrumentation industry.



Black Chrome Plating +Special Fluororesin(PS-CF)

Thickness	Unilateral 3~10 μm .
Color	Matte Black
Hardness	Above HV750
Characteristic	<ol style="list-style-type: none">1.High noise reduction and abrasion resistance.2.Excellent corrosion resistance (Resistance cyanate) and usually application on high-end semiconductor, LCD, optoelectronics, packaging, packaging and testing, clean room, medical, aerospace and marine screw turbine materials.3.Biocompatible, ISO10993, apply to Class II or Class I medical equipment.4.Coating provide the base layer with dense, matte black, stain resistance and anti-corrosion ability, which provides excellent adhesion and a uniform coating layer.



Note: Our standard length for surface treatment is 4 meters except black chrome plating +special fluororesin (PS-CF) which are two meters.

Note: Meet the RoHS & Reach green product standard.
















Data on Comparison of Rust Prevention

Item	Description
Spray liquid	5% NaCl solution
Experimental temperature	35°C ±2°C
Spray pressure	1 kg / cm ²
Spray volume	1.0 ~ 2.0 ml / 80 cm ² / hr
Relative humidity	95~ 98%

Note: Testing based on ISO 9227:1990 standards.

Species Times	Original Material	Electroless Nickel Plating (PS-N)	Hard Chrome Plating (PS-HC)	Black Chrome Plating (PS-C)	Black Chrome Plating + Special Fluororesin (PS-CF)
10 min	△	○	○	○	○
20 min	◆	○	○	○	○
90 min	◆	○	○	△	○
100 min	●	○	○	△	○
3 hr	●	△	○	△	○
4 hr	●	△	△	△	○
5 hr	●	△	△	◆	○
26 hr	●	◆	△	●	○
35 hr	●	◆	◆	●	○
48 hr	●	◆	◆	●	△
96 hr	●	◆	◆	●	◆

○ : No rust △ : Spotty rust ◆ : Light rusted ● : Completely rusted

Times \ Species	Original Material	Electroless Nickel Plating (PS-N)	Hard Chrome Plating (PS-HC)	Black Chrome Plating (PS-C)	Black Chrome Plating + Special Fluororesin (PS-CF)
Before Test					
26 hr					
96 hr					

Precautions of Linear Guideway

Handling

- Tilting the linear guideway may cause the carriage falling out from the rail by their own weight.
- Beating or Dropping the linear guideway may cause its function to be damage, even if the product looks intact.
- Do not disassemble the carriage, this may cause contamination to enter into the carriage or decrease the installation accuracy.
- Carrying excessive weight for linear guideway, by two or more people or handling equipment, to avoid causing personal injury or damage of the workpiece possibly.
- Note that to prevent foreign material and foreign body, causing the slider failure, damage and loss of function.

Lubrication

- Please remove the anti-rust oil in advance and lubricate it before using.
- Do not mix lubricants with others.
- If you are using oil as lubricant, the oil may not be distributed evenly to the ball groove that depending on the application of the mounting orientation. Please contact *PMI* in such case.
- Moving the carriage back and forth with minimum stroke length of length of 3 carriages after the carriages been greased. To assure the grease is evenly distributed inside of carriage, the mentioned process should be repeated twice at least.

Using

- The temperature of the place where linear guideways are used should not exceed 80°C. A higher temperature may damage the plastic end cap.
- If the carriage must be removed from the rail or remounted onto the rail, be sure to use the dummy rail.
- Using under special conditions, such as constant vibration, high dust or the temperature exceed our suggested...etc., please contact *PMI*.

Storage

- When storing the linear guideway, enclose it in a package and store it in a horizontal orientation while avoiding high temperature, low temperature and high humidity.

